

COATS®

5040 A/E Tire Changer

For servicing single piece
automotive and most light truck
tire/wheel assemblies

PANZITTA SALES & SERVICE
72 George Avenue
Wilkes-Barre, PA 18705
570-822-6720 800-822-6720
www.panzittasales.com



Parts Identification

READ these instructions before placing unit in service KEEP these and other materials delivered with the unit in a binder near the machine for ease of reference by supervisors and operators.

HENNESSY INDUSTRIES, INC.

Parts Identification

Table of Contents

Parts List	3 - 5
Tire Changer Exploded View	6
Air Motor Model	7
Electric Motor Model	8
Wiring Diagrams	9
Notes	10 - 11

PANZITTA SALES & SERVICE
72 George Avenue
Wilkes-Barre, PA 18705
570-822-6720 800-822-6720
www.panzittasales.com

Ref	Part #	Description	Ref	Part #	Description	Ref	Part #	Description
1	8181929	Skt. Hd. Cap Scr., 3/8-16 x 1", Gr.8	52	8181984	1/4 x 1-1/4 Hex Hd Cap Screw, Gr.5	95	8181912	Clip, Clevis
2	8182952	Table Top Plate	53	8181983	Button Hd Soc Cap Screw 10-24 x 5/8, Gr.8	96	8182016	3/4"-10 Gr.5 Nylon Insert Lock Nut
5	8182247	Rim Clamp, Adjustable	54	8182957	Switch-Reversing	97	8183778	Decal - Lubrication Notice
6	8184924	Carrier/Cover - Cylinder End	55	8182682	10-24 Nylon Insert Lock Nut Gr.5	98	8180558	Key-Motor
7	8183476	Roll Pin - Ø1/4" x 3/4"	56	8181959	Cover-Switch	99	8181100	Motor, Electric
8	8182279	Link Bolt - Table Top	57	8182682	10-24 Nylon Insert Lock Nut Gr.5	100	8120325	5/16-18 x 1 Ser. Wash.Hd.Scr., Gr.5
10	8181734	Pivot Link W/C	58	8181708	Extension Spring, Pedal	101	8120455	10-24 Self Tap Screw, Gr.2
11	8181731	Pivot Plate - Table Top	59	8183031	Bracket-Valve Mounting	102	8182040	10MM x 55MM Hex Hd.Cap Scr, Gr.5
12	8181733	Pivot Block	60	8181989	10-24 x 3/8 Socket Head Cap Screw, Gr.8	103	8301032	3/8 Flat Washer, Zinc Plate
13	8183452	Flange Whiz-lock Scr., 5/16-18 x 5/8"	61	8182627	Cap Plug - 1-5/8" Dia.	104	8107715	3/8-16 x 1-1/4 Hex Hd. Cap Scr, Gr.8.8
14	8184925	Carrier/Cover - Clamp	62	8182358	Spacer-Pedal	105	8182041	Chassis
15	8101039	Nut - Lock, 1/2", Gr.5	63	8182332	Guard-Foot Pedal	106	8182088	5/16 x 1 Torx Screw, Gr.5
16	8181634	Cylinder Assembly-Table Top	64	8106301	1/4" Hex Hd Self Tap Screw, Gr.5	107	8181855	Center pad-B.L.
17	8101039	Nut - Lock, 1/2", Gr.5	65	8102459	3/8" Self Tap Screw Gr.5	109	8301072	#6 Internal Tooth Lk Washer
18	8181742	16MM x 40mm Hex Head Bolt Gr.10.9	66	8181948	Bearing-Nylonier, 1/2"	110	8182011	5/8-11 x 5" Hex Hd Cap Scr, Gr.5
19	8182979	Washer - Molded, Ø16mm	67	8120469	Hair Pin Cotter	111	8183592	B.L. Shoe, Handle & Pivot W/C
20	8181990	Spider Assembly	69	8107635	5/16" Flat Washer	112	8182043	5/8-11 Nylon Insert Lock Nut Gr.5
21	8182034	Rotary Coupling Assembly	70	8181675	Pedal, Standard	113	8107107	Grip-Handle
22	8182162	Nut - Hex, 12MM, Gr.8.8	71	8181981	Wave Washer, 5/16" I.D.	114	8181951	B.L. SHOE Pivot Bracket
23	8182670	Spring Stop Bracket	72	8181696	Lever-Cam Follower	118	8182016	3/4"-10 Gr.5 Nylon Insert Lock Nut
24	8181658	Pulley-Transmission	73	8183399	Clevis Pin 3/16" x 1-1/2"	119	8182579	3/4-10 x 5 Hex Hd. Cap Scr, Gr.5
26	8182964	Kit-Transmission	74	8181948	Bearing-Nylonier, 1/2"	122	8181956	Power Cable Assembly
27	8181984	Hx.Hd.Cp.Scr., 1/4-20 x 1", Gr.5	75	8181918	Bar-Valve Brkt. Spacer	124	8150128	Cable Connector, 1/2"
28	8183156	Washer - Ø2" X Ø2 3/4" x .010	76	8181851	B.L. Pad, Front	125	8180237	Caution Decal
29	8181699	Lever Assembly - Switch	77	8181986	Valve, 4-Way w/Pull Pin	128	8104612	3/4" Ext. Tooth Lock Washer
30	8181982	Hx.Hd.Cp.Scr., 3MM x 12mm, Gr.5	78	8106301	1/4" Hex Hd Self Tap Screw, Gr.5	129	8104610	3/4" N.F. Jam Nut Gr.5
31	8181728	Lever - Switch Actuator	79	8181695	Cam Mounting Block	130	8104611	5/8" N.F. Jam Nut Gr.5
32	8000745	Washer - Flat, Ø1/4"	80	8181511	Motor Cable Assembly	131	8104613	5/8" Ext. Tooth Lock Washer
33	8181369	Nut - Lock, Nyl. Ins., 1/4-20, Gr.5	81	8180560	Ground Jumper	132	8107407	Hitch Pin Retainer
36	8182363	Spacer - Sw Pedal Lever-Red	82	8143044	Tinnerman Sq. Captive Nut 3/8-16	133	8181933	Pedal Inflation
37	8181923	Washer - Stop	83	8106303	3/8" Whiz Lock Nut, Gr.5	134	8102459	3/8" Self Tap Screw Gr.5
38	8181948	Bearing-Nylonier, 1/2"	84	8181931	Bracket, Motor Mounting	135	8104673	Bushing (1/4" Valve)
39	8181675	Pedal, Standard	85	8181183	5/16-18 Nylon Insert Lock Nut, Gr.5	136	8104600	1/4" Valve Comp.
40	8190134	1/4-20 x 3/4 Hex Hd Cap Scr Gr.5	86	8180046	Pulley-Motor	137	8104674	Bushing (3/4" Valve)
43	8181948	Bearing-Nylonier, 1/2"	87	8180217	5/16-18 x 3/8" Soc.Hd.Set Scr, Gr.5	138	8106298	3/4" Valve Ported 1/4"-18 NPT
44	8181707	Torsion Spring	88	8180047	V-Belt, Motor	139	8182809	Lube Bottle Brkt-Red
45	8181872	Sleeve-Torsion Spring	89	8000491	Lube Applicator	140	8182811	Cover-Infl. Pedal-Red
47	8111609	Cotter, Hair Pin	90	8106259	Lube Bottle	141	8181354	Bead Lifting Tool
48	8183398	Pedal Shaft	91	8106301	1/4" Hex Hd Self Tap Screw, Gr.5	142	8181986	Valve, 4-Way w/Pull Pin
49	8301121	Washer	92	8182807	Side Panel	144	8180103	3/8 x 3-1/4 Clevis Pin
50	8181369	1/4-20 Nylon Insert Lock Nut Gr.5	93	8181949	Clevis Pin-5/8 x 1-3/8	145	8107983	Plastic Fastener
51	8181918	Bar-Valve Brkt. Spacer	94	8183312	B.L. Cylinder Assembly	146	8107517	Gauge Lens, Screw On

Ref	Part #	Description	Ref	Part #	Description	Ref	Part #	Description
147	8182593	Knob Assy-Adjusting	200	8182016	3/4"-10 Gr.5 Nylon Insert Lock Nut	304	8110497	Male Elbow 1/8 NPT x 1/4 Hose
150	8107985	Flanged Air Gauge w/Fasteners	201	8181998	Male Elbow 1/4 NPT x 3/8 Tube	305	8103649	Ø1/4 x 12" Hose
151	8109888	Inflation Warning Decal	202	8107715	3/8-16 x 1-1/4 Hex Hd. Cap Scr, Gr.5	306	8182836	Nylon Tube 3/8 OD x 15.50" Lg
153	8182373	Decal, Warning	203	8000240	Washer 1" OD x 13/32 ID x 3/16	307	8182035	Male St Fit. 1/8 NPT x 1/4 Tube
155	8106302	3/8" Whiz Lock Screw, Gr.5	204	8181932	Inflation Brkt.	308	8181988	Male Brch. Tee 1/4 NPT x 3/8 Tube
156	8181137	3/8-16 x 2-1/4 Hex Hd.Cap Scr, Gr.5	205	8182457	Washer, 3/4"	309	8182037	Nylon Tube 1/4 OD x 10" Lg.
157	8106303	3/8" Whiz Lock Nut, Gr.5	206	8183770	Filter/Lube Bracket	310	8000378	1/4" Brass St. Fitting
158	8106303	3/8" Whiz Lock Nut, Gr.5	207	8186301	1/4" Hex Hd Self Tap Screw, Gr.5	311	8101428	Hose Clamp-1/4 I.D. Hose
159	8184831	Tower/Air Receiver	208	8182059	Decal, Line Press Gauge	312	8000378	1/4" Brass St. Fitting
160	8182076	Shim Kit	209	8101428	Hose Clamp-1/4 I.D. Hose	313	8181988	Male Brch. Tee 1/4 NPT x 3/8 Tube
161	8120424	3/8"-16 Wash Hd. Lock Nut Gr.5	210	8180638	Motor Capacitor Only	314	8101346	3/4" Hose Clamp
162	8182550	Pivot Pin, B.L. Cylinder Rod	*211	8235208	Motorcycle Clamp (Tall)	315	8181349	Rotary Coupling
164	8180230	B.L. Spring	*212	8181619	Motorcycle Clamp Kit (Tall)	316	8104894	St Fitting 1/8 NPT x 1/4 Hose
165	8182002	B.L. Arm	*213	8235740	ATV Clamp (Tall)	317	8181713	O-Ring Seal, Large (2-244)
166	8182009	Screw, 3/4-10 x 3 3/4" Hex Hd Cap	*214	8181891	ATV Clamp Kit (Tall)	318	8181712	O-Ring Seal, Small (2-142)
167	8120326	Hitch Pin, Ø 1/2"	*215	8108028	Tire Spreader	319	8106289	Ø1/4" x 22" Hose
168	8101018	Washer .392 x .687 x .0478	*216	8181329	Spreader Base-Rim Clamp	320	8106289	Ø1/4" x 22" Hose
170	8106302	3/8 x 1 NC Hex Hd Cap Scr, Gr.5	*217	8435685	Drop Center Aid	321	8000378	1/4" Brass St. Fitting
171	8182027	Washer 7 ga. x .406 ID x 1.28 OD	218	8182897	Operating Instructions (COATS)	322	8181986	Valve, 4-Way w/Pull Pin
172	8140667	1/4-20 x 1/4 Soc.Hd.Set Scr, Gr.8	8182897-1		Operating Instructions (SEARS)	323	8181988	Male Brch. Tee 1/4 NPT x 3/8 Tube
173	8182786	5MM x 25MM Dowel Pin	8182897-2		Operating Instructions (UAP)	324	8183310	Bottom Cap, B.L. Cylinder
174	8182788	Mount Demount Head Assembly	8182897-3		Operating Instructions (LIMITED)	325	8182079	Seal Kit, B.L. Cylinder
175	8182813	3/8-16 x 3/4 Counter Bore Cap Screw Gr.8	*219	8435203	Plastic Clamp Jaw	326	8182016	3/4" NC Locknut, Gr.5
177	8182787	Roller .562 Diameter x .515 LG.	220	8101428	Hose Clamp-1/4 I.D. Hose	327	8181860	Washer-Lower, B.L. Cylinder
178	8182031	Bumper-Rubber	221	8182371	Wave Washer, 1-5/8 Dia.	328	8183519	Shaft/Washer Assembly
179	8182812	Shaft-Vertical Slide	*222	8181554	Accessory Tray Kit	329	8181574	Barrel, B.L. Cylinder
181	8181035	Lift Pin-Lock Plate	223	8182339	Shim Kit-Swing Arm	330	8181862	Tie Bolt, 1/2-13 x 10-1/4" Lg., Gr.5
182	8181113	1/2"-13 Jam Nut Gr.5	224	8182768	Caution Decal-B.L.	331	8183309	Top Cap, B.L. Cylinder
184	8181788	Lock Plate	225	8182770	Bootie-Mount/Demount Head	332	8181998	Male Elbow 1/4 NPT x 3/8 Tube
185	8181095	1-5/8 Snap Ring	226	8000378	1/4" Brass St. Fitting	333	8181999	Male Elbow 1/4 NPT x 3/8 Tube
186	8184830	Swing Arm	227	8000376	1/4 x 90° Brass Fitting	334	8182004	Nylon Tube 3/8" x 30" Lg.
187	8181038	Pivot Pin-Swing Arm	228	8101428	Hose Clamp-1/4 I.D. Hose	335	8182004	Nylon Tube 3/8" x 30" Lg.
188	8182028	Spring-Vertical Slide	229	8102048	Hose, 1/4" x 15"	336	8182004	Nylon Tube 3/8" x 30" Lg.
189	8181095	1-5/8 Snap Ring	230	8101428	Hose Clamp-1/4 I.D. Hose	340	8181915	Pin, Dowell M5 x 20
190	8181082	Lock Handle/Lift Cam W/C	231	8182186	Dipstick-Transmission	342	8107924	3/4 Nylon Elbow
191	8100979	Handle Grip, Black Flex 3/4 I.D.	232	8182185	Tube-Dipstick	345	8101346	3/4" Hose Clamp
192	8181771	Knob-Vertical Slide	233	8182185	Tube-Dipstick	346	8104652	Poppet, 3/4" Valve
193	8182029	5/16-1 x 1-1/2 BH Soc. Cap Scr, Gr.8	235	8120408	1/4-20 x 1-3/4 H.H. Cap Scr., Gr.5	347	8104651	Spring, 3/4" Valve
194	8183502	Manifold Bleed Valve Assembly	236	8143169	1/4-20 Whiz Lock Nut, Gr.5	348	8106350	End Cap, 3/4" Valve
198	8181172	3/4-10 x 7-1/2 Hex Hd. Cap Scr, Gr.5	237	8181970	B.L. Pin Location Decal	350	8107924	3/4 Nylon Elbow
199	8182457	Washer, 3/4"	300	8181998	Male Elbow 1/4 NPT x 3/8 Tube	351	8182071	Fitting, Special Male Branch Tee
			301	8182836	Nylon Tube 3/8 OD x 15.50" Lg	352	8000378	1/4" Brass St. Fitting
			302	8182836	Nylon Tube 3/8 OD x 15.50" Lg	353	8101428	Hose Clamp-1/4 I.D. Hose
			303	8182836	Nylon Tube 3/8 OD x 15.50" Lg	355	8181998	Male Elbow 1/4 NPT x 3/8 Tube

Parts Identification

Ref	Part #	Description	Ref	Part #	Description	Ref	Part #	Description
357	8000378	1/4" Brass St. Fitting	411	8101428	Hose Clamp-1/4 I.D. Hose	517	8105822	Hose Clamp-9/16 I.D. Hose
358	8101428	Hose Clamp-1/4 I.D. Hose	413			518	8182805	Cover-Upper Tower Support
359	8181954	Hose 3/4" x 31" Lg.-Black	416	8000378	1/4" Brass St. Fitting	519	8182457	Washer, 3/4"
360	8104649	Poppet, 1/4" Valve	417	8101428	Hose Clamp-1/4 I.D. Hose	520	8182558	3/4" Belleville Washer
361	8102468	Poppet Spring, 1/4" Valve	418	8104968	Safety Valve	521	8182557	Spacer-Washer, B.L.
362	8105671	End Cap, 1/4" Valve	419	8109784	Manifold/Gauge Protector	522	8181740	SHCS 1/2-13 x 1-3/4, Gr.5
363	8102048	Hose 1/4" x 15"	420	8108968	Air Gauge	523	8181207	3/8" NPT Close Nipple
364	8183811	Seal Kit, T.T. Cylinder	421	8182734	Muffler	524	8182872	Holder - Shop Ticket
365	8181183	5/16-18 Nylon Insert Lock Nut Gr.5	422	8182004	Nylon Tube 3/8" x 30" Lg.	525	8182821	Chart - Maint.
366	8181622	Cap-Cylinder Bottom	423	8181988	Male Brch. Tee 1/4 NPT x 3/8 Tube	526	8120441	Tie - Cable
367	8182719	1/2-13 Locking Jam Nut, Gr.5	424	8181986	Valve, 4-Way w/Pull Pin	527	8182960	Mount/Demount Head (PLASTIC)
368	8183771	Washer 2.50 Ø x .515 Ø x .064	425	8181999	Male Elbow 1/4 NPT x 3/8 Tube	528	8183033	Washer
369	8181629	Shaft-Tabletop Cyl.	426	8181206	Muffler-1/2" NPT	529	8182059	Decal, Line Press Gauge
370	8181627	Sleeve-Cylinder	427	8182736	3/8 NPT Street Ell	530	8182458	Plastic Cap (Tower)
371	8181620	Cap-Cylinder Top	428	8000580	Nipple - Close, 1/4 NPT	**531	8182884	Tube Protector
372	8181633	Tie Bolt-Tabletop Cylinder	430	8181191	Valve, Quick Exhaust	*532	8182640	California Gauge Kit
373	8000481	Hose 1/4" x 6"	431	8181999	Male Elbow 1/4 NPT x 3/8 Tube	533	8101312	Reducer Bushing, 3/4 x 1/4 NPT
374	8182008	Hose 3/8" x 50	432	8181203	1/2"-1/4" Reducing Bushing	534	8182250	Adj. Clamp Plunger/Sping Assy.
375	8101428	Hose Clamp-1/4 I.D. Hose	433	8181190	Airmotor, Gast. 6AM			
376	8401419	Air Chuck	434	8182005	Nylon Tube 3/8" x 20" Lg.			
378	8182598	Inflation Manifold	435	8182005	Nylon Tube 3/8" x 20" Lg.			
379	8000378	1/4" Brass St. Fitting	436	8182003	Nylon Tube 3/8" x 18-3/4" Lg.			
380	8101346	3/4" Hose Clamp	437	8106301	1/4" H.H. Self Tap Scr., Gr.5			
381	8181993	Hose, 3/4" x 15 1/2"	438	8150441	1/4" Star Lock Washer			
382	8101428	Hose Clamp-1/4 I.D. Hose	439	8301142	Washer, 1/4" Spring Lock			
386	8181998	Male Elbow 1/4 NPT x 3/8 Tube	440	8107440	1/4-20 Hex Nut Gr.5			
392	8182464	Strainer Screen	441	8182141	Cord-Entrance to Switch			
393	8101898	3/8" Hose Fitting	442	8143254	Wire Joint			
394	8101428	Hose Clamp-1/4 I.D. Hose	457	8182341	Automatic Drain Kit, F/L			
395	8181147	Hose 3/8 x 17-1/4" Lg.	458	8182737	Kit-Muffler & St. Ell			
397	8101428	Hose Clamp-1/4 I.D. Hose	500	8111083	Regulator			
398	8101898	3/8" Hose Fitting	501	8101428	Hose Clamp-1/4 I.D. Hose			
399	8000372	1/4" x 90° Street Ell	502	8109472	1/8" Inline Filter			
400	8182827	Filter-Lubricator	503	8110496	Voluim Chamber			
401	8183881	3/8 x 7" Nylon Tube	504	8109471	1/8" Brass Hex Nipple			
402	8000372	1/4" x 90° Street Ell	505	8109468	Pressure Repeater			
403	8101898	3/8" Hose Fitting	506	8182035	Male St Fit. 1/8 NPT x 1/4 Tube			
404	8101428	Hose Clamp-1/4 I.D. Hose	507	8103649	1/4" Hose x 12" Lg.			
405	8182497	Hose 3/8" x 36" Lg.	508	8109466	Valve-Piloted			
406	8101428	Hose Clamp-1/4 I.D. Hose	511	8182037	Nylon Tube 1/4 OD x 10" Lg.			
407	8101898	3/8" Hose Fitting	513	8110325	1/4" NPT Male Run Tee			
408	8101346	3/4" Hose Clamp	514	8110497	Fitting-90 Deg. Male Elbow			
409	8104573	Fitting, Straight-3/4"	515	8111255	Spl Tee-1/4 NPT x 3/8 x 1/4 Tube			
410	8182090	Hose 3/4" x 61" Lg.	516	8181998	Male Elbow 1/4 NPT x 3/8 Tube			

*Indicates Accessory Item

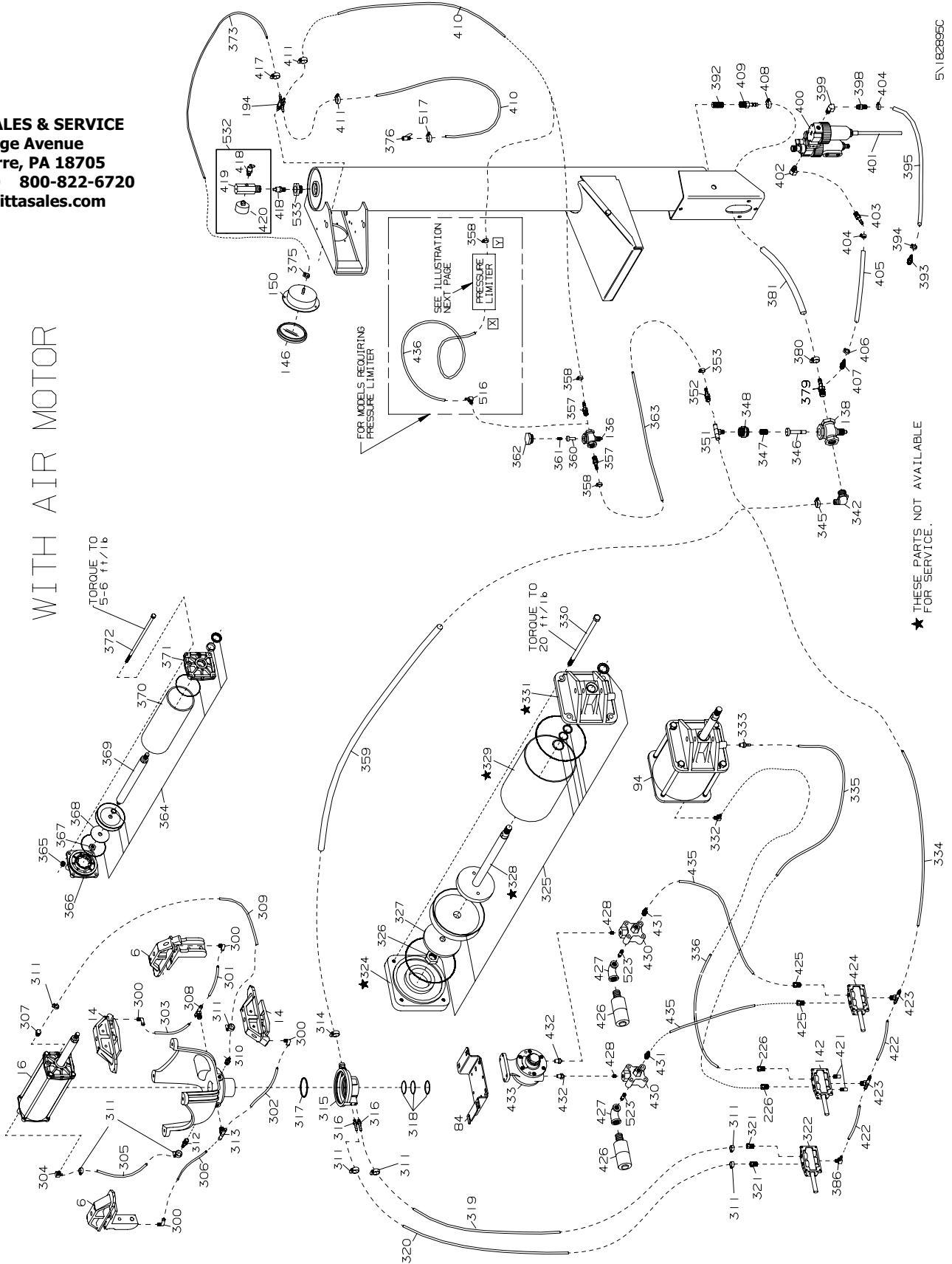
** Not Shown

PANZITTA SALES & SERVICE
72 George Avenue
Wilkes-Barre, PA 18705
570-822-6720 800-822-6720
www.panzittasales.com

Parts Identification

PANZITTA SALES & SERVICE
 72 George Avenue
 Wilkes-Barre, PA 18705
 570-822-6720 800-822-6720
 www.panzittasales.com

WITH AIR MOTOR

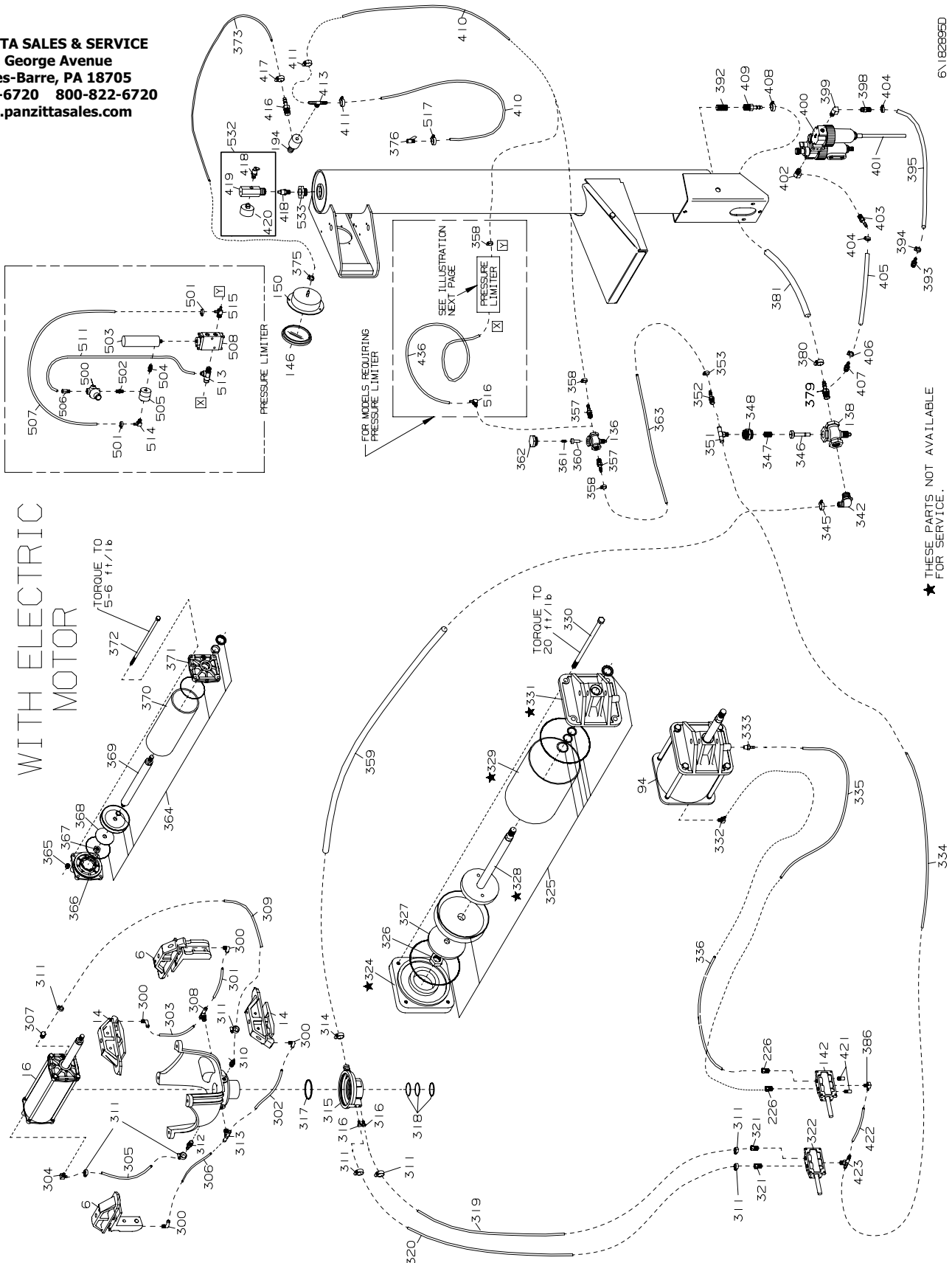


★ THESE PARTS NOT AVAILABLE FOR SERVICE.

5\182895C

Parts Identification

PANZITTA SALES & SERVICE
 72 George Avenue
 Wilkes-Barre, PA 18705
 570-822-6720 800-822-6720
 www.panzittasales.com



WITH ELECTRIC MOTOR

TORQUE TO 5-6 FT/LB

TORQUE TO 20 FT/LB

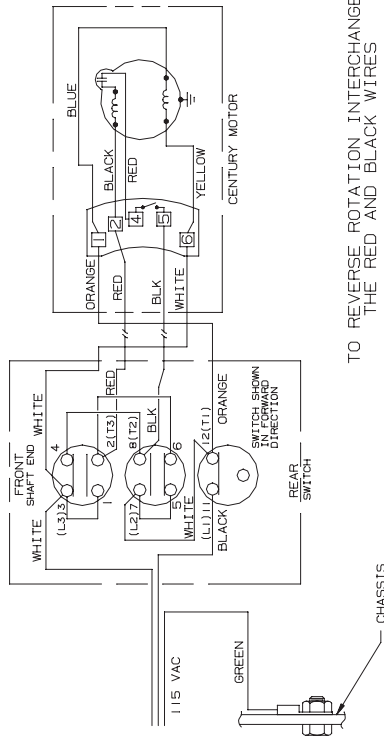
FOR MODELS REQUIRING PRESSURE LIMITER
 SEE ILLUSTRATION NEXT PAGE
 PRESSURE LIMITER

★ THESE PARTS NOT AVAILABLE FOR SERVICE.

6\1828950

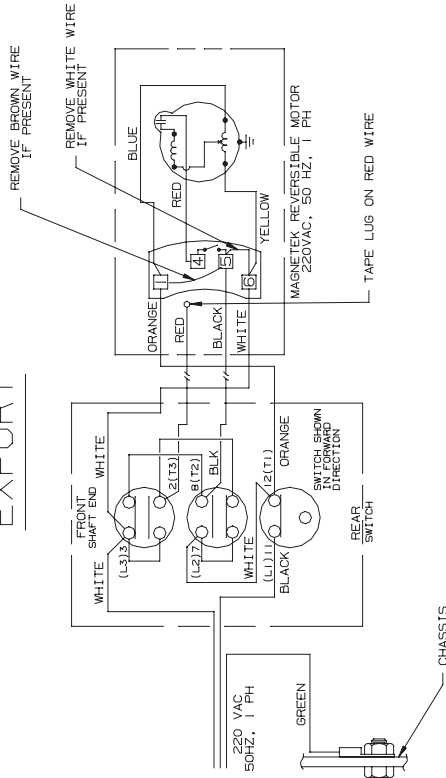
WIRING DIAGRAMS

DOMESTIC



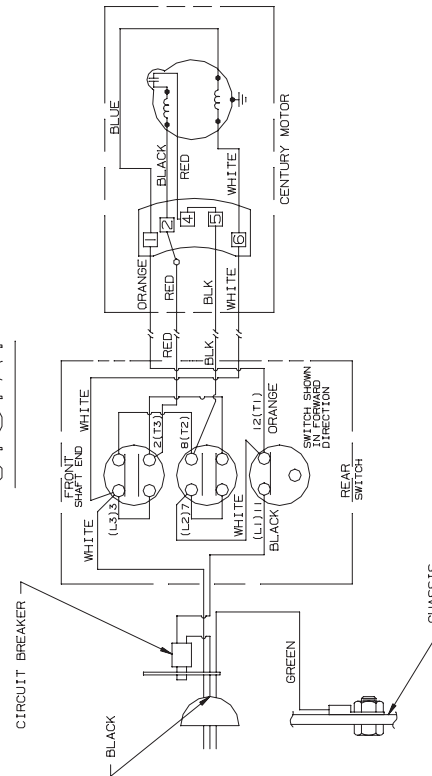
TO REVERSE ROTATION INTERCHANGE THE RED AND BLACK WIRES

EXPORT



TO REVERSE ROTATION INTERCHANGE THE RED AND BLACK WIRES

C.S.A.



TO REVERSE ROTATION INTERCHANGE THE RED AND BLACK WIRES

PANZITTA SALES & SERVICE
72 George Avenue
Wilkes-Barre, PA 18705
570-822-6720 800-822-6720
www.panzittasales.com

Rim Clamp® Tire Changer

All-Air Unit Compressed Air Requirements

COATS® Rim Clamp® tire changers that are powered entirely by air (no electric motor) require a single compressed air power source. Refer to the table below for exact specifications.

Tire Changer Model	Compressor Size	Capable of
5030A	5HP	5 SCFM at 150 PSI
5050A	5HP	14-15 SCFM at 150 PSI
5060A	5HP	14-15 SCFM at 150 PSI
5040A	5HP	14-15 SCFM at 150 PSI

Oiler and Water Separator Maintenance

The oiler and water separator (on units so equipped) require weekly service. Oil and water levels (indicated on the level gauge on the side of each bowl) should be checked regularly

1. Drain the water from the separator by unscrewing the petcock on the bottom of the bowl. Allow water to drain and tighten petcock securely by hand.

2. Add oil to the oiler if the fluid level is more than 1/4" from the top of the gauge. Remove the filler plug in the top of the oiler, and add SAE 10W non-detergent oil or an air tool oil to bring the level up to 1/4" from the top of the gauge. Replace the filler plug and clean up any spilled oil.

3. Adjust the oil flow by pulling the red flow adjustment ring up and turning it to increase or decrease the flow. Push the ring down to lock. Watch the formation of oil drops in the see-through oil chamber. Continually cycle the bead loosener through full strokes and count the drops during the cycles. The delivery of oil to the air line should be about 1 drop per 10 cylinder cycles. Adjust the flow as required.

Note: Some older units may use an adjustment screw on top of the oiler instead of the red ring and see-through chamber. To adjust these units, turn the screw fully clockwise to stop the flow, then turn it back counterclockwise 1/4 turn.

Transmission Lubrication

Check the fluid level in the tabletop transmission with the oil check dipstick. If fluid shows on the dipstick, it is properly filled. If no fluid is present on the dipstick, add a high quality SAE 80/90 gear lubricant. Add lubricant and check the level. Stop adding lubricant when it shows on the dipstick.

Air Gauge Check and Recalibration

1. Inflate a standard 15" passenger car tire/wheel assembly to 32 PSI. Use a high quality stick-type pressure gauge to verify the pressure. Attach the tire changer's inflation hose to the valve stem and check the pressure reading on the air gauge. If it does not read 32 PSI, recalibrate the gauge.

2. Remove the screw-on lens. Loosen the 2 screws on the face of the gauge. Loosen them just enough so that the gauge face moves. Do not remove the screws.

3. Rotate the gauge face until the 32 PSI mark is aligned with the gauge needle. Tighten the 2 screws and replace the lens.

Danger, Warning, Caution, and Instructional Decals

Always make the cleaning of these important decals a part of your regular maintenance routine. If they are damaged or illegible, replace them immediately. Your safety, and the safety of others is involved!

PANZITTA SALES & SERVICE
72 George Avenue
Wilkes-Barre, PA 18705
570-822-6720 800-822-6720
www.panzittasales.com