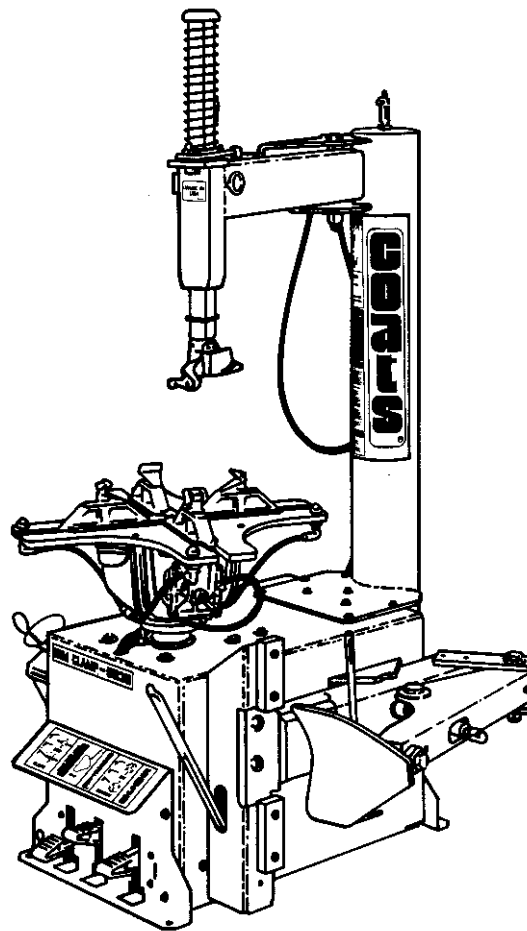


# COATS®

PANZITTA SALES & SERVICE  
72 George Avenue  
Wilkes-Barre, PA 18705  
570-822-6720 800-822-6720  
www.panzittasales.com

## 5065 A/E/AX/EX Tire Changer

For servicing single piece automotive and most light truck tire/wheel assemblies



### *Parts Identification*

READ these instructions before placing unit in service KEEP these and other materials delivered with the unit in a binder near the machine for ease of reference by supervisors and operators.

**HENNESSY INDUSTRIES, INC.**

1601 J. P. Hennessy Drive, LaVergne, TN USA 37086-3565 615/641-7533 800/688-6359

HENNESSY INDUSTRIES INC. Manufacturer of AMMCO®, COATS® and BADA® Automotive Service Equipment and Tools.

Manual Part No.: 8183532 04

Revision: 02/99

# Parts Identification

## Table of Contents

<b>Parts List</b> .....	<b>3 - 5</b>
<b>Tire Changer Exploded View</b> .....	<b>.6</b>
<b>Air Motor Model</b> .....	<b>.7</b>
<b>Electric Motor Model</b> .....	<b>.8</b>
<b>Wiring Diagrams</b> .....	<b>.9</b>
<b>Notes</b> .....	<b>10 - 11</b>

**PANZITTA SALES & SERVICE**  
**72 George Avenue**  
**Wilkes-Barre, PA 18705**  
**570-822-6720 800-822-6720**  
**www.panzittasales.com**

**Hennessy Industries, Inc.**  
1601 J.P. Hennessy Drive  
LaVergne, TN 37086-3565  
(615) 641-7533 or (800) 688-6359  
www.ammcoats.com

For additional tire, wheel, and/or inflation information contact the following:

**Rubber Manufacturers Association**  
1400 K Street N. W.  
Washington, DC 20005  
(202) 682-4800  
www.rma.com

**Tire Guides, Inc.**  
The Tire Information Center  
1101-6 South Rogers Circle  
Boca Raton, FL 33487-2795  
(561) 997-9229  
www.tireguides.com

Ref	Part #	Description	Ref	Part #	Description	Ref	Part #	Description
1	8181929	Skt. Hd. Cap Scr., 3/8-16 x 1", Gr.8	51	8181918	Bar-Valve Brkt. Spacer	93	8181949	Clevis Pin-5/8 x 1-3/8
2	8181704	Table Top Plate	52	8181984	1/4 x 1-1/4 Hex Hd Cap Screw, Gr.5	94	8182014	B.L. Cylinder Assembly
5	8181677	Rim Clamp	53	8181983	Button Hd Soc Cap Screw 10-24 x 5/8, Gr.8	95	8181912	Clip, Clevis
6	8182662	Carrier/Cover - Cylinder End	54	8182957	Switch-Reversing	96	8182016	3/4"-10 Gr.5 Nylon Insert Lock Nut
7	8183476	Roll Pin - Ø1/4" x 3/4"	55	8182682	10-24 Nylon Insert Lock Nut Gr.5	97	8110733	Decal - Lubrication Notice
8	8181904	Table Top Clamp Link Bolt	56	8181959	Cover-Switch	98	8180558	Key-Motor
10	8181734	Pivot Link W/C	57	8182682	10-24 Nylon Insert Lock Nut Gr.5	99	8181100	Motor, Electric 115v
11	8181731	Pivot Plate - Table Top	58	8181708	Extension Spring, Pedal	100	8120325	5/16-18 x 1 Ser. Wash.Hd.Scr., Gr.5
12	8181733	Pivot Block	59	8183031	Bracket-Valve Mounting	101	8120455	10-24 Self Tap Screw, Gr.2
13	8183452	Flange Whiz-lock Scr., 5/16-18 x 5/8"	60	8181989	10-24 x 3/8 Socket Head Cap Screw, Gr.8	102	8182040	10MM x 55MM Hex Hd. Cap Scr, Gr.5
14	8182661	Carrier/Cover - Clamp	61	8182627	Cap Plug - 1-5/8" Dia.	103	8301032	3/8 Flat Washer, Zinc Plate
15	8101039	Nut - Lock, 1/2", Gr.5	62	8182358	Spacer-Pedal	104	8107715	3/8-16 x 1-1/4 Hex Hd. Cap Scr, Gr.8
16	8181634	Cylinder Assembly-Table Top	63	8182332	Guard-Foot Pedal	105	8182041	Chassis
17	8101039	Nut - Lock, 1/2", Gr.5	64	8106301	1/4" Hex Hd Self Tap Screw, Gr.5	106	8182088	5/16 x 1 Torx Screw, Gr.5
18	8181742	16MM x 40mm Hex Head Bolt Gr.10.9	65	8102459	3/8" Self Tap Screw Gr.5	107	8181855	Center pad-B.L.
19	8182979	Washer - Molded, Ø16mm	66	8181948	Bearing-Nylon, 1/2"	109	8301072	#6 Internal Tooth Lk Washer
20	8181990	Spider Assembly	67	8120469	Hair Pin Cotter	110	8182011	5/8-11 x 5" Hex Hd Cap Scr, Gr.5
21	8182034	Rotary Coupling Assembly	69	8107635	5/16" Flat Washer	111	8181953	B.L. Shoe. Handle & Pivot W/C
22	8182162	Nut - Hex, 12MM, Gr.8.8	70	8181675	Pedal, Standard	112	8182043	5/8-11 Nylon Insert Lock Nut Gr.5
23	8182670	Spring Stop Bracket	71	8181981	Wave Washer, 5/16" I.D.	113	8107107	Grip-Handle
24	8181658	Pulley-Transmission	72	8181696	Lever-Cam Follower	118	8182016	3/4-10 Gr.5 Nylon Insert Lock Nut
26	8182964	Kit-Transmission	73	8183399	Clevis Pin 3/16" x 1-1/2"	119	8182579	3/4-10 x 5 Hex Hd. Cap Scr, Gr.5
27	8181984	Hx.Hd.Cp.Scr., 1/4-20 x 1", Gr.5	74	8181948	Bearing-Nylon, 1/2"	122	8181956	Power Cable Assembly
28	8183156	Washer - Ø2" X Ø2 3/4" x .010	75	8181918	Bar-Valve Brkt. Spacer	124	8150128	Cable Connector, 1/2"
29	8181699	Lever Assembly - Switch	76	8181851	B.L. Pad, Front	125	8180237	Caution Decal
30	8181982	Hx.Hd.Cp.Scr., 3MM x 12mm, Gr.5	77	8181986	Valve, 4-Way w/Pull Pin	128	8104612	3/4" Ext. Tooth Lock Washer
31	8181728	Lever - Switch Actuator	78	8106301	1/4" Hex Hd Self Tap Screw, Gr.5	129	8104610	3/4" N.F. Jam Nut Gr.5
32	8000745	Washer - Flat, Ø1/4"	79	8181695	Cam Mounting Block	130	8104611	5/8" N.F. Jam Nut Gr.5
33	8181369	Nut - Lock, Nyl. Ins., 1/4-20, Gr.5	80	8181511	Motor Cable Assembly	131	8104613	5/8" Ext. Tooth Lock Washer
36	8182363	Spacer - Sw Pedal Lever-Red	81	8180560	Ground Jumper	132	8107407	Hitch Pin Retainer
37	8181923	Washer - Stop	82	8143044	Tinnerman Sq. Captive Nut 3/8-16	133	8181933	Pedal Inflation
38	8181948	Bearing-Nylon, 1/2"	83	8106303	3/8" Whiz Lock Nut, Gr.5	134	8102459	3/8" Self Tap Screw Gr.5
39	8181675	Pedal, Standard	84	8181931	Bracket, Motor Mounting	135	8104673	Bushing (1/4" Valve)
40	8190134	1/4-20 x 3/4 Hex Hd Cap Screw Gr.5	85	8181183	5/16-18 Nylon Insert Lock Nut, Gr.5	136	8104600	1/4" Valve Comp.
43	8181948	Bearing-Nylon, 1/2"	86	8180046	Pulley-Motor	137	8104674	Bushing (3/4" Valve)
44	8181707	Torsion Spring	87	8180217	5/16-18 x 3/8" Soc.Hd.Set Screw, Gr.5	138	8106298	3/4" Valve Ported 1/4"-18 NPT
45	8181872	Sleeve-Torsion Spring	88	8180047	V-Belt, Motor	139	8182809	Lube Bottle Brkt-Red
47	8111609	Cotter, Hair Pin	89	8000491	Lube Applicator	140	8182811	Cover-Infl. Pedal-Red
48	8183398	Pedal Shaft	90	8106259	Lube Bottle (Red)	141	8181354	Bead Lifting Tool
49	8301121	Washer	91	8106301	1/4" Hex Hd Self Tap Screw, Gr.5	142	8181986	Valve, 4-Way w/Pull Pin
50	8181369	1/4-20 Nylon Insert Lock Nut Gr.5	92	8182807	Side Panel (Metal)	144	8180103	3/8 x 3-1/4 Clevis Pin
						145	8107983	Plastic Fastener

Ref	Part #	Description	Ref	Part #	Description	Ref	Part #	Description
146	8107517	Gauge Lens, Screw On	201	8181998	Male Elbow 1/4 NPT x 3/8 Tube	307	8182035	Male St Fit. 1/8 NPT x 1/4 Tube
147	8181114	Knob Assy-Adjusting	202	8107715	3/8-16 x 1-1/4 Hex Hd. Cap Scr, Gr.5	308	8181988	Male Brch. Tee 1/4 NPT x 3/8 Tube
150	8107985	Flanged Air Gauge w/Fasteners	203	8000240	Washer 1" OD x 13/32 ID x 3/16	309	8182037	Nylon Tube 1/4 OD x 10" Lg.
151	8109888	Inflation Warning Decal	204	8181932	Inflation Brkt.	310	8000378	1/4" Brass St. Fitting
153	8182373	Decal, Warning	205	8182457	Washer, 3/4"	311	8101428	Hose Clamp-1/4 I.D. Hose
155	8106302	3/8" Whiz Lock Screw, Gr.5	206	8183770	Strap, F/L Mfg.	312	8000378	1/4" Brass St. Fitting
156	8181137	3/8-16 x 2-1/4 Hex Hd.Cap Scr, Gr.5	207	8106301	1/4" Hex Hd Self Tap Screw, Gr.5	313	8181988	Male Brch. Tee 1/4 NPT x 3/8 Tube
157	8106303	3/8" Whiz Lock Nut, Gr.5	208	8182059	Decal, Line Press Gauge	314	8101346	3/4" Hose Clamp
158	8106303	3/8" Whiz Lock Nut, Gr.5	209	8101428	Hose Clamp-1/4 I.D. Hose	315	8181349	Rotary Coupling
159	8182305	Tower/Air Receiver	210	8180638	Motor Capacitor Only	316	8104894	St Fitting 1/8 NPT x 1/4 Hose
160	8182076	Shim Kit	*211	8235208	Motorcycle Clamp (Tail)	317	8181713	O-Ring Seal, Large (2-244)
161	8120424	3/8"-16 Wash Hd. Lock Nut Gr.5	*212	8181619	Motorcycle Clamp Kit (Tail)	318	8181712	O-Ring Seal, Small (2-142)
162	8182550	Pivot Pin, B.L. Cylinder Rod	*213	8235740	ATV Clamp (Tail)	319	8106289	Ø1/4" x 22" Hose
164	8180230	B.L. Spring	*214	8181891	ATV Clamp Kit (Tail)	320	8106289	Ø1/4" x 22" Hose
165	8182816	B.L. Arm	*215	8108028	Tire Spreader	321	8000378	1/4" Brass St. Fitting
167	8120326	Hitch Pin, Ø 1/2"	*216	8181329	Spreader Base-Rim Clamp	322	8181986	Valve, 4-Way w/Pull Pin
168	8101018	Washer .392 x .687 x .0478	*217	8435685	Drop Center Aid	323	8181988	Male Brch. Tee 1/4 NPT x 3/8 Tube
170	8106302	3/8 x 1 NC Hex Hd Cap Scr, Gr.5	218	8183534	Operating Instructions (5065)	324	8181570	Bottom Cap, B.L. Cylinder
171	8182027	Washer 7 ga. x .406 ID x 1.28 OD	*219	8435203	Plastic Clamp Jaw	325	8183516	Seal Kit, B.L. Cylinder
172	8140667	1/4-20 x 1/4 Soc.Hd.Set Scr, Gr.8	220	8101428	Hose Clamp-1/4 I.D. Hose	326	8100957	3/4" NC Locknut Gr. 5
173	8182787	Roller .562 Diameter x .515 LG.	221	8182371	Wave Washer, 1-5/8 Dia.	327	8181860	Washer-Lower, B.L. Cylinder
174	8182788	Mount Demount Head Assembly	*222	8181554	Accessory Tray Kit	328	8182061	Shaft/Washer Assembly
175	8182813	3/8-16 x 3/4 Cter Bore Cap Scr Gr.8	223	8182339	Shim Kit-Swing Arm	329	8181574	Barrel, B.L. Cylinder
177	8182787	Roller .562 Diameter x .515 LG.	224	8182768	Caution Decal-B.L.	330	8181862	Tie Bolt, 1/2-13 x 10-1/4" Lg., Gr.5
178	8182031	Bumper-Rubber	225	8182770	Bootie-Mount/Demount Head (Single)	331	8181572	Top Cap, B.L. Cylinder
179	8182812	Shaft-Vertical Slide	226	8000378	1/4" Brass St. Fitting	332	8181998	Male Elbow 1/4 NPT x 3/8 Tube
181	8181035	Lift Pin-Lock Plate	227	8000376	1/4 x 90° Brass Fitting	333	8181999	Male Elbow 1/4 NPT x 3/8 Tube
182	8181113	3/4"-13 Gr.5 Jam Nut	228	8101428	Hose Clamp-1/4 I.D. Hose	334	8182004	Nylon Tube 3/8" x 30" Lg.
184	8181788	Lock Plate	229	8102048	Hose, 1/4" x 15"	335	8182004	Nylon Tube 3/8" x 30" Lg.
185	8181095	1-5/8 Snap Ring	230	8101428	Hose Clamp-1/4 I.D. Hose	336	8182004	Nylon Tube 3/8" x 30" Lg.
186	8182820	Swing Arm	231	8182186	Dipstick-Transmission	340	8181915	Pin, Dowell M5 x 20
187	8181038	Pivot Pin-Swing Arm	232	8182185	Tube-Dipstick	342	8107924	3/4 Nylon Elbow
188	8182028	Spring-Vertical Slide	233	8182185	Tube-Dipstick	345	8101346	3/4" Hose Clamp
189	8181095	1-5/8 Snap Ring	234	8120408	1/4-20 x 1-3/4 H.H. Cap Scr., Gr.5	346	8104652	Poppet, 3/4" Valve
190	8181082	Lock Handle/Lift Cam W/C	235	8143169	1/4-20 Whiz Lock Nut, Gr.5	347	8104651	Spring, 3/4" Valve
191	8100979	Handle Grip, Black Flex 3/4 I.D.	236	8181998	Male Elbow 1/4 NPT x 3/8 Tube	348	8106350	End Cap, 3/4" Valve
192	8181771	Knob-Vertical Slide	300	8181998	Male Elbow 1/4 NPT x 3/8 Tube	350	8107924	3/4 Nylon Elbow
193	8182029	5/16-1 x 1-1/2 BH Soc. Cap Scr, Gr.8	301	8182836	Nylon Tube 3/8 OD x 15.50" Lg	351	8182071	Fitting, Special Male Branch Tee
194	8183502	Manifold Bleed Valve Assembly	302	8182836	Nylon Tube 3/8 OD x 15.50" Lg	352	8000378	1/4" Brass St. Fitting
198	8181172	3/4-10 x 7-1/2 Hex Hd. Cap Scr, Gr.5	303	8182836	Nylon Tube 3/8 OD x 15.50" Lg	353	8101428	Hose Clamp-1/4 I.D. Hose
199	8182457	Washer, 3/4"	304	8110497	Male Elbow 1/8 NPT x 1/4 Hose	355	8181998	Male Elbow 1/4 NPT x 3/8 Tube
200	8182016	3/4"-10 Gr.5 Nylon Insert Lock Nut	305	8103649	Ø1/4 x 12" Hose	357	8000378	1/4" Brass St. Fitting
			306	8182836	Nylon Tube 3/8 OD x 15.50" Lg	358	8101428	Hose Clamp-1/4 I.D. Hose
						359	8181954	Hose 3/4" x 31" Lg.-Black

# Parts Identification

Ref	Part #	Description	Ref	Part #	Description	Ref	Part #	Description
360	8104649	Poppet, 1/4" Valve	416	8000378	1/4" Brass St. Fitting	518	8182805	Cover-Upper Tower Support
361	8102468	Poppet Spring, 1/4" Valve	417	8101428	Hose Clamp-1/4 I.D. Hose	519	8182457	Washer, 3/4"
362	8105671	End Cap, 1/4" Valve	418	8104968	Safety Valve	520	8182558	3/4" Belleville Washer
363	8102048	Hose 1/4" x 15"	419	8109784	Manifold/Gauge Protector	521	8182557	Spacer-Washer, B.L.
364	8183811	Seal Kit, T.T. Cylinder	420	8109868	Air Gauge	522	8181740	SHCS 1/2-13 x 1-3/4, Gr.5
365	8181183	5/16-18 Nylon Insert Lock Nut Gr.5	421	8182734	Muffler	523	8181207	3/8" NPT Close Nipple
366	8181622	Cap-Cylinder Bottom	422	8182004	Nylon Tube 3/8" x 30" Lg.	524	8182872	Holder - Shop Ticket
367	8182719	1/2-13 Locking Jam Nut, Gr.5	423	8181988	Male Brch. Tee 1/4 NPT x 3/8 Tube	525	8182821	Chart - Maint.
368	8183771	Washer 1-38 OD x 1/2 ID x .062	424	8181986	Valve, 4-Way w/Pull Pin	526	8120441	Tie - Cable
369	8181629	Shaft-Tabletop Cyl.	425	8181999	Male Elbow 1/4 NPT x 3/8 Tube	527	8182960	Mount/Demount Head (PLASTIC)
370	8181627	Sleeve-Cylinder	426	8181206	Muffler-1/2" NPT	528	8183033	Washer
371	8181620	Cap-Cylinder Top	427	8182736	3/8 NPT Street Ell	529	8182059	Decal, Line Press Gauge
372	8181633	Tie Bolt-Tabletop Cylinder	428	8000580	Nipple - Close, 1/4 NPT	530	8182458	Plastic Cap (Tower)
373	8000481	Hose 1/4" x 6"	430	8181191	Valve, Quick Exhaust			
374	8182008	Hose 3/8" x 50	431	8181999	Male Elbow 1/4 NPT x 3/8 Tube			
375	8101428	Hose Clamp-1/4 I.D. Hose	432	8181203	1/2"-1/4" Reducing Bushing			
376	8101312	Air Chuck	433	8181190	Airmotor, Gast. 6AM			
378	8182598	Inflation Manifold	434	8182005	Nylon Tube 3/8" x 20" Lg.			
379	8000378	1/4" Brass St. Fitting	435	8182005	Nylon Tube 3/8" x 20" Lg.			
380	8101346	3/4" Hose Clamp	436	8182003	Nylon Tube 3/8" x 18-34" Lg.			
381	8181993	Hose, 3/4" x 15 1/2"	437	8106301	1/4" H.H. Self Tap Scr., Gr.5			
382	8101428	Hose Clamp-1/4 I.D. Hose	438	8150441	1/4" Star Lock Washer			
386	8181998	Male Elbow 1/4 NPT x 3/8 Tube	439	8301142	Washer, 1/4" Spring Lock			
392	8182464	Strainer Screen	440	8107440	1/4-20 Hex Nut Gr.5			
393	8101898	3/8" Hose Fitting	441	8182141	Cord-Entrance to Switch			
394	8101428	Hose Clamp-1/4 I.D. Hose	442	8143254	Wire Joint			
395	8181147	Hose 3/8 x 17-1/4" Lg.	456	8181998	1/4 NPTx 3/8 Tube Male Elbow			
396	8182081	Repari Kit, Filter Lubricator	457	8182341	Automatic Drain Kit, F/L			
397	8101428	Hose Clamp-1/4 I.D. Hose	458	8182737	Kit-Muffler & St. Ell			
398	8101898	3/8" Hose Fitting	500	8111083	Regulator			
399	8000372	1/4" x 90° Street Ell	501	8101428	Hose Clamp-1/4 I.D. Hose			
400	8182827	Filter-Lubricator	502	8109472	1/8" Inline Filter			
401	8106300	3/8" Self Tap Scr. Gr.5	503	8110496	Volunn Chamber			
402	8000372	1/4" x 90° Street Ell	504	8109471	1/8" Brass Hex Nipple			
403	8101898	3/8" Hose Fitting	505	8109468	Pressure Repeater			
404	8101428	Hose Clamp-1/4 I.D. Hose	506	8182035	Male St Fit. 1/8 NPT x 1/4 Tube			
405	8182497	Hose 3/8" x 36" Lg.	507	8103649	1/4" Hose x 12" Lg.			
406	8101428	Hose Clamp-1/4 I.D. Hose	508	8109466	Valve-Piloted			
407	8101898	3/8" Hose Fitting	511	8182037	Nylon Tube 1/4 OD x 10" Lg.			
408	8101346	3/4" Hose Clamp	513	8110325	1/4" NPT Male Run Tee			
409	8104573	Fitting, Straight-3/4"	514	8110497	Fitting-90 Deg. Male Elbow			
410	8182090	Hose 3/4" x 61" Lg.	515	8111255	Spl Tee-1/4 NPT x 3/8 x 1/4 Tube			
411	8101428	Hose Clamp-1/4 I.D. Hose	516	8181998	Male Elbow 1/4 NPT x 3/8 Tube			
413			517	8105822	Hose Clamp-9/16 I.D. Hose			

\*Indicates Accessory Item

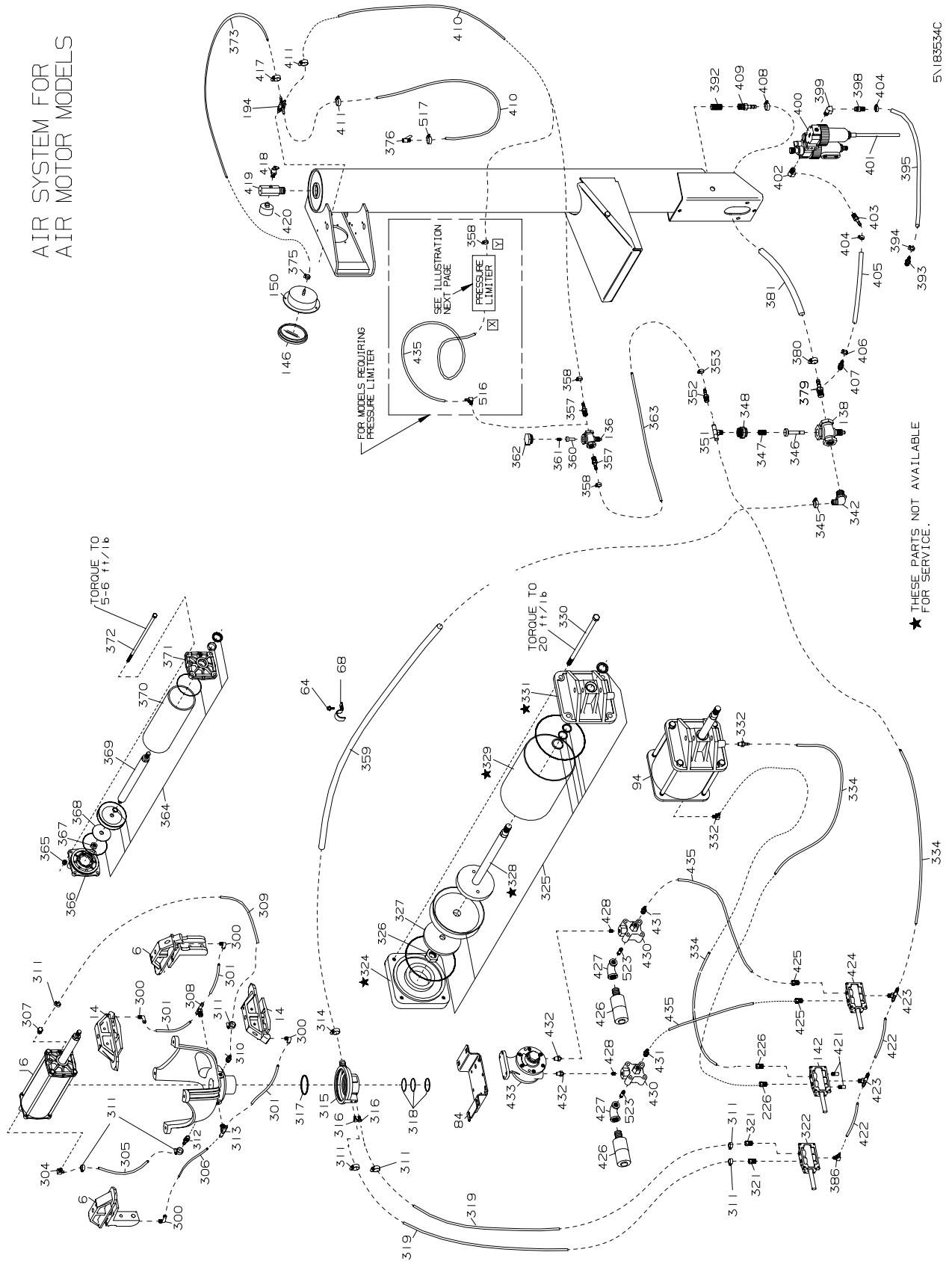
rev. 15

**PANZITTA SALES & SERVICE**  
**72 George Avenue**  
**Wilkes-Barre, PA 18705**  
**570-822-6720 800-822-6720**  
**www.panzittasales.com**



# Parts Identification

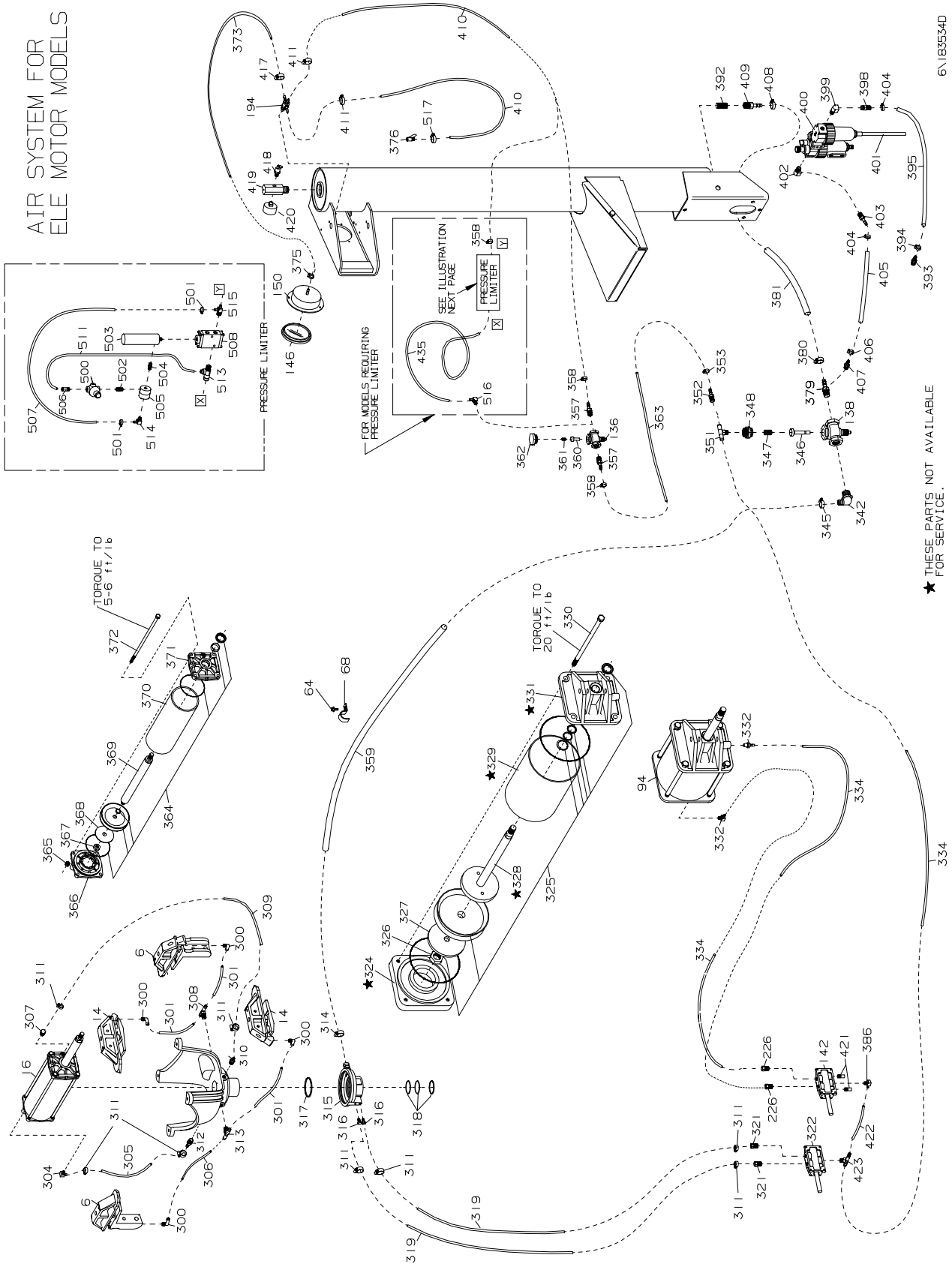
## AIR SYSTEM FOR AIR MOTOR MODELS



5\183534C

# Parts Identification

## AIR SYSTEM FOR ELE MOTOR MODELS

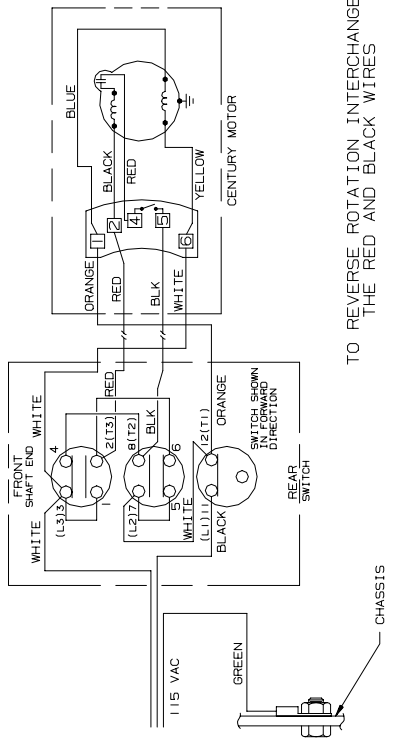


★ THESE PARTS NOT AVAILABLE FOR SERVICE.

6\183534D

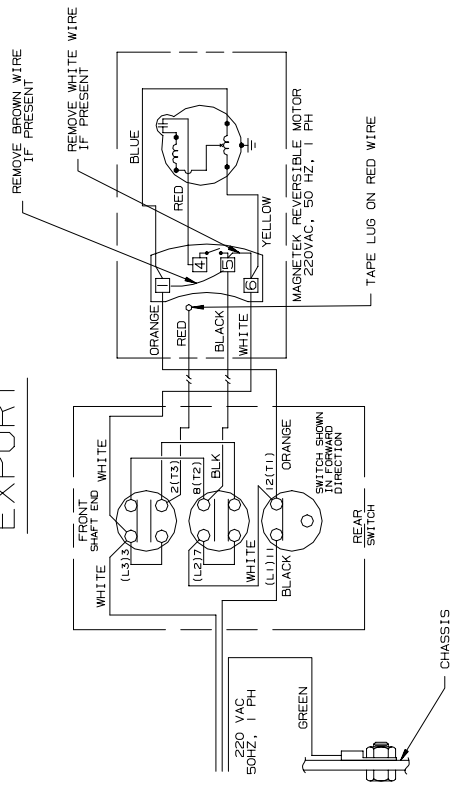
# WIRING DIAGRAMS

## DOMESTIC



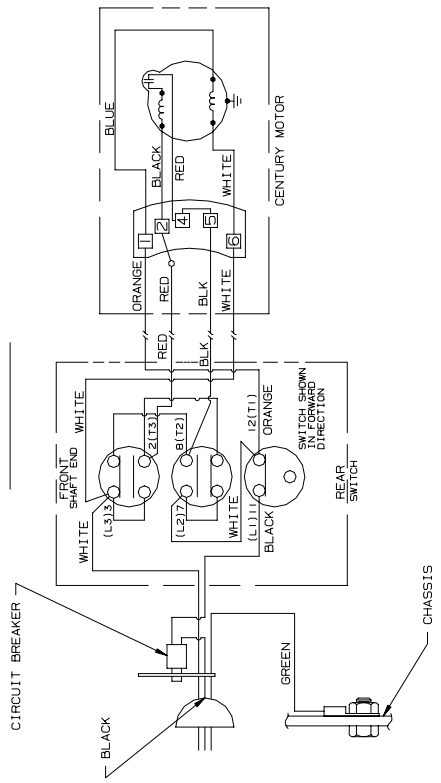
TO REVERSE ROTATION, INTERCHANGE THE RED AND BLACK WIRES

## EXPORT



TO REVERSE ROTATION, INTERCHANGE THE RED AND BLACK WIRES

## C.S.A.



TO REVERSE ROTATION, INTERCHANGE THE RED AND BLACK WIRES

**PANZITTA SALES & SERVICE**  
 72 George Avenue  
 Wilkes-Barre, PA 18705  
 570-822-6720 800-822-6720  
 www.panzittasales.com

7\183534E

# Parts Identification

Notes

**PANZITTA SALES & SERVICE**  
72 George Avenue  
Wilkes-Barre, PA 18705  
570-822-6720 800-822-6720  
[www.panzittasales.com](http://www.panzittasales.com)

# Parts Identification

Notes

**PANZITTA SALES & SERVICE**  
72 George Avenue  
Wilkes-Barre, PA 18705  
570-822-6720 800-822-6720  
[www.panzittasales.com](http://www.panzittasales.com)

# Rim Clamp® Tire Changer

## All-Air Unit Compressed Air Requirements

COATS® Rim Clamp® tire changers that are powered entirely by air (no electric motor) require a single compressed air power source. Refer to the table below for exact specifications.

Tire Changer Model	Compressor Size	Capable of
5065A	5HP	14-15 SCFM at 150 PSI
6065A	5HP	14-15 SCFM at 150 PSI

## Oiler and Water Separator Maintenance

The oiler and water separator (on units so equipped) require weekly service. Oil and water levels (indicated on the level gauge on the side of each bowl) should be checked regularly

1. On units without automatic drain (manufactured before August 1996), drain the water from the separator by unscrewing the petcock on the bottom of the bowl. Allow water to drain and tighten petcock securely by hand.

2. Add oil to the oiler if the fluid level is more than 1/4" from the top of the gauge. Remove the filler plug in the top of the oiler, and add SAE 10W non-detergent oil or an air tool oil to bring the level up to 1/4" from the top of the gauge. Replace the filler plug and clean up any spilled oil.

3. On units manufactured before August 1996, adjust the oil flow by pulling the red flow adjustment ring up and turning it to increase or decrease the flow. Push the ring down to lock. Watch the formation of oil drops in the see-through oil chamber. Continually cycle the bead loosener through full strokes and count the drops during the cycles. The delivery of oil to the air line should be about 1 drop per 10 cylinder cycles. Adjust the flow as required.

**Note:** Some older units may use an adjustment screw on top of the oiler instead of the red ring and see-through chamber. To adjust these units, turn the screw fully clockwise to stop the flow, then turn it back counterclockwise 1/4 turn. Units manufactured after August 1996 are factory pre-set and require no adjustment.

## Transmission Lubrication

Check the fluid level in the tabletop transmission with the oil check dipstick. If fluid shows on the dipstick, it is properly filled. If no fluid is present on the dipstick, add a high quality SAE 80/90 gear lubricant. Add lubricant and check the level. Stop adding lubricant when it shows on the dipstick.

## Air Gauge Check and Recalibration

1. Inflate a standard 15" passenger car tire/wheel assembly to 32 PSI. Use a high quality stick-type pressure gauge to verify the pressure. Attach the tire changer's inflation hose to the valve stem and check the pressure reading on the air gauge. If it does not read 32 PSI, recalibrate the gauge.

2. Remove the screw-on lens. Loosen the 2 screws on the face of the gauge. Loosen them just enough so that the gauge face moves. Do not remove the screws.

3. Rotate the gauge face until the 32 PSI mark is aligned with the gauge needle. Tighten the 2 screws and replace the lens.

## Danger, Warning, Caution, and Instructional Decals

Always make the cleaning of these important decals a part of your regular maintenance routine. If they are damaged or illegible, replace them immediately. Your safety, and the safety of others is involved!

**PANZITTA SALES & SERVICE**  
**72 George Avenue**  
**Wilkes-Barre, PA 18705**  
**570-822-6720 800-822-6720**  
**www.panzittasales.com**