

# COATS®

PANZITTA SALES & SERVICE  
72 George Avenue  
Wilkes-Barre, PA 18705  
570-822-6720 800-822-6720  
www.panzittasales.com

## 7665 AX/EX

# Rim Clamp® Tire Changer

For servicing single piece automotive and most light truck  
tire/wheel assemblies



## *Parts Identification*

READ these instructions before placing unit in service KEEP these and other materials delivered with the unit in a binder near the machine for ease of reference by supervisors and operators.

**HENNESSY INDUSTRIES, INC.**

1601 J. P. Hennessy Drive, LaVergne, TN USA 37086-3565 615/641-7533 800/688-6359

HENNESSY INDUSTRIES INC. Manufacturer of AMMCO®, COATS® and BADA® Automotive Service Equipment and Tools.

Manual Part No.: 8183746 02

Revision: 04/01

# Parts Identification

Ref	Part No.	Description	Ref	Part No.	Description
1	8181929	Skt. Hd. Cap Scr., 3/8-16 x 1", Gr.8	63	8182332	Guard-Foot Pedal
2	8181704	Table Top Plate	64	8106301	1/4" Hex Hd Self Tap Screw, Gr.5
3	8182024	Ø1/4" Steel Ball	65	8102459	3/8" Self Tap Screw Gr.5
4	8182025	Inflation Nozzle	66	8182327	Pedal Spacer
5	8182247	Adjustable Rim Clamp	67	8120469	Hair Pin Cotter
6	8182248	Carrier/Cover, Cylinder End, Adj.	69	8107635	5/16" Flat Washer
7	8183476	Roll Pin - Ø1/4" x 3/4"	71	8181981	Wave Washer, 5/16" I.D.
8	8182033	3/4" Jam Nut	72	8181696	Lever-Cam Follower
9	8182279	Table Top Clamp Link Bolt	73	8181977	Clevis Pin 3/16" x 1-1/2"
10	8181734	Pivot Link W/C	76	8181851	B.L. Pad, Front
11	8181731	Pivot Plate - Table Top	77	8181986	Valve, 4-Way w/Pull Pin
12	8181733	Pivot Block	78	8106301	1/4" Hex Hd Self Tap Screw, Gr.5
13	8183452	Flange Whiz-lock Scr., 5/16-18 x 5/8"	79	8181695	Cam Mounting Block
14	8182249	Carrier/Cover - Clamp Adj.	80	8181511	Motor Cable Assembly
15	8101039	Nut - Lock, 1/2", Gr.5	81	8180560	Ground Jumper
16	8182613	Cylinder Assembly-Table Top	82	8143044	Tinnerman Sq. Captive Nut 3/8-16
18	8181742	16MM x 40mm Hex Head Bolt Gr.10.9	83	8106303	3/8" Whiz Lock Nut, Gr.5
19	8182979	Washer - Molded, Ø16mm	84	8181931	Bracket, Motor Mounting
20	8181990	Spider Assembly	85	8181183	5/16-18 Nylon Insert Lock Nut, Gr.5
21	8182619	Rotary Coupling Assembly	86	8180046	Pulley-Motor
22	8182162	Nut - Hex, 12MM, Gr.8.8	87	8180217	5/16-18 x 3/8" Soc.Hd.Set Screw, Gr.5
23	8182670	Spring Stop Bracket	88	8180047	V-Belt, Motor
24	8181658	Pulley-Transmission	89	8000491	Lube Applicator
26	8182964	Kit-Transmission	90	8106259	Lube Bottle
27	8181984	Hx.Hd.Cp.Scr., 1/4-20 x 1", Gr.5	91	8106301	1/4" Hex Hd Self Tap Screw, Gr.5
28	8183156	Washer - Ø2" X Ø2 3/4" x .010	92	8182807	Side Panel (Metal)
29	8181699	Lever Assembly - Switch	93	8181949	Clevis Pin-5/8 x 1-3/8
30	8181982	Hx.Hd.Cp.Scr., 3MM x 12mm, Gr.5	94	8183312	B.L. Cylinder Assembly
31	8181728	Lever - Switch Actuator	95	8181912	Clip, Clevis
32	8000745	Washer - Flat, Ø1/4"	96	8182016	3/4"-10 Gr.5 Nylon Insert Lock Nut
33	8181369	Nut - Lock, Nyl. Ins., 1/4-20, Gr.5	97	8183778	Decal - Lubrication Notice
34	8100994	Washer, 2" x .81 x .156	98	8180558	Key-Motor
35	8100994	Washer, 2" x .81 x .156	99	8182294	Motor, Electric 115V
36	8182363	Spacer - Sw Pedal Lever-Red		8182621	Motor, Electric 220V, 50Hz, 1Ø
37	8181923	Washer - Stop	100	8120325	5/16-18 x 1 Ser. Wash.Hd.Scr., Gr.5
38	8181948	Bearing-Nyliner, 1/2"	101	8120455	10-24 Self Tap Screw, Gr.2
39	8181675	Pedal, Standard	102	8182040	10MM x 55MM Hex Hd.Cap Scr, Gr.5
40	8190134	1/4-20 x 3/4 Hex Hd Cap Screw Gr.5	103	8301032	3/8 Flat Washer, Zinc Plate
44	8181707	Torsion Spring	104	8107715	3/8-16 x 1-1/4 Hex Hd. Cap Scr, Gr.8.8
45	8181872	Sleeve-Torsion Spring	105	8182041	Chassis
46	8183703	3/4-10 x 10 1/2 Hex Hd Cap Scr, Gr 5	106	8182088	5/16 x 1 Torx Screw, Gr.5
47	8111609	Cotter, Hair Pin	107	8181855	Center pad-B.L.
48	8183398	Pedal Shaft	109	8301072	#6 Internal Tooth Lk Washer
49	8301121	Washer	110	8182011	5/8-11 x 5" Hex Hd Cap Scr, Gr.5
50	8181369	1/4-20 Nylon Insert Lock Nut Gr.5	111	8181953	B.L. Shoe, Handle & Pivot W/C
51	8181918	Bar-Valve Brkt. Spacer	112	8182043	5/8-11 Nylon Insert Lock Nut Gr.5
52	8181984	1/4 x 1-1/4 Hex Hd Cap Screw, Gr.5	113	8107107	Handle Grip
53	8181983	Button Hd Soc Cap Screw 10-24 x 5/8, Gr.8	114	8181951	B.L. Shoe Pivot Bracket
54	8182957	Switch-Reversing	115	8181682	#10-24 Gr.5 Nylon Insert Lock Nut
55	8182682	10-24 Nylon Insert Lock Nut Gr.5	118	8182016	3/4"-10 Gr.5 Nylon Insert Lock Nut
56	8181959	Cover-Switch	119	8182579	3/4-10 x 5 Hex Hd. Cap Scr, Gr.5
57	8182682	10-24 Nylon Insert Lock Nut Gr.5	120	8106301	1/4-20 Hex Hd. Self-Tap Scr
58	8181708	Extension Spring, Pedal	121	8181964	Plastic Accessory Tray
59	8183031	Bracket-Valve Mounting	122	8181956	Power Cable Assembly
60	8181989	10-24 x 3/8 Socket Head Cap Screw, Gr.8		8182257	Power Cable Assembly (C.S.A.)
61	8182627	Cap Plug - 1-5/8" Dia.	123	8183641	Plastic Foot Hold Down
62	8181911	Spacer-Pedal	124	8150128	Cable Connector, 1/2"

\* Indicates Accessory Item

# Parts Identification

Ref	Part No.	Description	Ref	Part No.	Description
125	8180237	Caution Decal	190	8183673	Lock Handle/Lift Cam W/C, R.H.
127	8109769	Release Valve Decal	191	8100979	Handle Grip, Black Flex 3/4 I.D.
128	8104612	3/4" Ext. Tooth Lock Washer	192	8181771	Knob-Vertical Slide
129	8104610	3/4" N.F. Jam Nut Gr.5	193	8182029	5/16-1 x 1-1/2 BH Soc. Cap Scr, Gr.8
130	8104611	5/8" N.F. Jam Nut Gr.5	194	8183502	Manifold Bleed Valve Assembly
131	8104613	5/8" Ext. Tooth Lock Washer	195	8301017	Ball, Ø1/2", Steel
132	8107407	Hitch Pin Retainer	196	8182458	Plastic Cap (Tower)
133	8181933	Pedal Inflation	197	8005563	Roll Pin, 1/4" x 1-1/2"
134	8102459	3/8" Self Tap Screw Gr.5	198	8183635	3/4-10 x 14" Hex Hd. Cap Scr, Gr. 5
135	8104673	Bushing (1/4" Valve)	199	8182457	Washer, 3/4"
136	8104600	1/4" Valve Comp.	200	8182016	3/4"-10 Gr.5 Nylon Insert Lock Nut
137	8104674	Bushing (3/4" Valve)	202	8107715	3/8-16 x 1-1/4 Hex Hd. Cap Scr, Gr.5
138	8106298	3/4" Valve Ported 1/4"-18 NPT	203	8000240	Washer 1" OD x 13/32 ID x 3/16
139	8182809	Lube Bottle Brkt-Red	204	8181932	Inflation Brkt.
141	8181354	Bead Lifting Tool	205	8182457	Washer, 3/4"
142	8181995	4-Way Valve Piloted	206	8182422	Filter/Lubricator Mounting Strap
143	8182001	#10-24 x 3/4" Gr.5 Skt. Hd. St Scr	207	8106301	1/4" Hex Hd Self Tap Screw, Gr.5
144	8180103	3/8 x 3-1/4 Clevis Pin	208	8182059	Line Pressure Gauge Decal
145	8107983	Plastic Fastener	210	8180638	Motor Capacitor Only
146	8107517	Gauge Lens, Screw On	*211	8235208	Motorcycle Clamp (Tall)
147	8181114	Knob Assy-Adjusting	*212	8181619	Motorcycle Clamp Kit (Tall)
150	8107985	Flanged Air Gauge w/Fasteners	*213	8235740	ATV Clamp (Tall)
151	8109888	Inflation Warning Decal	*214	8181891	ATV Clamp Kit (Tall)
152	8183638	Spacer, Stand Off	*215	8108028	Tire Spreader
153	8182373	Decal, Warning	*216	8181329	Spreader Base-Rim Clamp
154	8183630	Short Arm Assembly, W/C	*217	8435685	Drop Center Aid
155	8106302	3/8" Whiz Lock Screw, Gr.5	218	8183762	Operating Manual, 7660/7665
156	8181137	3/8-16 x 2-1/4 Hex Hd.Cap Scr, Gr.5	*219	8435203	Plastic Clamp Jaw
157	8106303	3/8" Whiz Lock Nut, Gr.5	221	8182371	Wave Washer, 1-5/8 Dia.
158	8183626	Arm Assembly, Rear W/C	223	8182339	Shim Kit-Swing Arm
159	8183764	Tower/Air Receiver	224	8181970	Bead Loosener Position Decal
160	8182076	Shim Kit	225	8182770	Bootie-Mount/Demount Head
161	8120424	3/8"-16 Wash Hd. Lock Nut Gr.5	226	920531	Washer, Ø1" x .281 x .063
162	8182550	Pivot Pin, B.L. Cylinder Rod	227	8000376	1/4 x 90° Brass Fitting
163	8183636	Spacer, 7/8 x 2 3/4 x 1 1/2	229	8182250	Adj. Clamp Plunger/Spring Assy.
164	8180230	B.L. Spring	231	8182186	Dipstick-Transmission
165	8182816	B.L. Arm (Red)	232	8182185	Tube-Dipstick
166	8182009	Screw, 3/4-10 x 3 3/4" Hex Hd Cap	233	8183639	Handle Grip, Ø7/8"
167	8120326	Hitch Pin, Ø 1/2"	234	8183666	Storage Tube
168	8101018	Washer .392 x .687 x .0478	235	8120408	1/4-20 x 1-3/4 H.H. Cap Scr., Gr.5
169	8181285	Inflation Pedal Decal	236	8143169	1/4-20 Whiz Lock Nut, Gr.5
170	8106302	3/8 x 1 NC Hex Hd Cap Scr, Gr.5	237	8182768	Pinch Point Caution Decal
171	8182027	Washer 7 ga. x .406 ID x 1.28 OD	238	8181587	Circuit Breaker (C.S.A.)
172	8140667	1/4-20 x 1/4 Soc.Hd.Set Scr, Gr.8	300	8181998	Male Elbow 1/4 NPT x 3/8 Tube
173	8182786	5MM x 25MM Dowel Pin	301	8182036	Nylon Tube 3/8 OD x 12.25" Lg
174	8182788	Mount/Demount Head Assembly	302	8183664	Roller
175	8182813	3/8-16 x 3/4 Counter Bore Cap Screw Gr.8	303	8183663	Spacer
177	8182787	Roller .562 Diameter x .515 LG.	304	8110497	Male Elbow 1/8 NPT x 1/4 Hose
178	8182031	Bumper-Rubber	305	8103649	Ø1/4 x 12" Hose
179	8182812	Shaft-Vertical Slide	306	8183659	Handle
180	8181740	SHCS 1/2-13 x 1 3/4 Gr.5	307	8182035	Male St Fit. 1/8 NPT x 1/4 Tube
181	8181035	Lift Pin-Lock Plate	308	8182367	Cross, 1/4" NPT Brass
182	8181113	1/2"-13 Jam Nut Gr.5	309	8112310	Washer - Flat
184	8181788	Lock Plate	310	8000378	1/4" Brass St. Fitting
185	8181095	1-5/8 Snap Ring	311	8006101	3/8-16 x 2 Hex Hd Cap Screw
186	8182820-2	Swing Arm, For R.H. Cam Lock	314	8101346	3/4" Hose Clamp
187	8181038	Pivot Pin-Swing Arm	315	8181349	Rotary Coupling
189	8183649	Soc Hd Set Screw 1/4-20 x 5/16	316	8104844	St Fitting 1/8 NPT x 1/4 Hose

\* Indicates Accessory Item

# Parts Identification

Ref	Part No.	Description	Ref	Part No.	Description
317	8181713	O-Ring Seal, Large (2-244)	389	8182007	Ø1/8" x 60" Nylon Tube
318	8181712	O-Ring Seal, Small (2-142)	391	8142844	1/4-20 Gr.5 Hex Hd. Self-Tap Scr
319	8106289	Ø1/4" x 22" Hose	392	8182044	Hose Clamp
321	8000378	1/4" Brass St. Fitting	393	8101898	3/8" Hose Fitting
322	8181986	Valve, 4-Way w/Pull Pin	395	8181147	Hose 3/8 x 17-1/4" Lg.
324	8183310	Bottom Cap, B.L. Cylinder	398	8101898	3/8" Hose Fitting
325	8182079	Seal Kit, B.L. Cylinder	399	8182998	Regulator, 40 PSI
326	8100957	3/4" NC Locknut Gr. 5	400	8181962	Filter-Lubricator
327	8181860	Washer-Lower, B.L. Cylinder	401	8106300	3/8" Self Tap Scr Gr.5
328	8183519	Shaft/Washer Assembly	402	8000372	1/4" x 90° Street ELL
329	8181574	Barrel, B.L. Cylinder	403	8000572	Fitting, Barbed 1/4"
330	8181862	Tie Bolt, 1/2-13 x 10-1/4" Lg.,Gr.5	404	8104969	Valve - Check
331	8183309	Top Cap, B.L. Cylinder	405	8182497	Hose 3/8" x 36" Lg.
332	8181207	3/8" NPT Close Nipple	406	8183644	Cyl. Assem. Ø1/2" x 18" Stroke
333	8181999	Male Elbow 1/4 NPT x 3/8 Tube	407	8183683	Decal, Information
334	8182004	Nylon Tube 3/8" x 30" Lg.	408	8184226	Grease Fitting, St.
335	8182005	Nylon Tube 3/8" x 20" Lg.	409	8104573	Fitting, Straight-3/4"
336	8182003	Nylon Tube 3/8" x 18.75" Lg.	410	8183642	Valve, 3 Pos, Hand Operated
337	8182318	Compression Spring	411	8183637	Ext. Retaining Ring, Ø2"
338	8182788	Mount Demount Head Assembly	412	8182464	Stainer Screen
340	8182221	Hose Clamp, 6"	413	8183658	Drop Center Tool Assembly
341	8183509	Accessory Box Assembly	416	8102048	Hose, Ø1/4" x 15"
342	8107924	3/4 Nylon Elbow	417	8181213	Hose, Ø1/4" x 3"
343	8182872	Shop Ticket Holder	418	8182599	Safety Valve
344	8182828	Maint. Chart	419	8183434	Manifold/Gauge Protector
345	8120441	Cable Tie	420	8108968	Air Gauge
346	8104652	Poppet, 3/4" Valve	421	8182734	Muffler
347	8104651	Spring, 3/4" Valve	422	8182004	Ø3/8 x 30.00 Nylon Tube
348	8106350	End Cap, 3/4" Valve	423	8181988	Male Brch. Tee 1/4 NPT x 3/8 Tube
350	8000643	1/4" Brass Tee	424	8183665	Bracket Reciever, Bead Roller Tool
351	8182071	Fitting, Special Male Branch Tee	425	8183033	Washer
353	8101428	Hose Clamp-1/4 I.D. Hose7	426	8181206	Muffler-1/2" NPT
355	8181998	Male Elbow 1/4 NPT x 3/8 Tube	427	8181195	1/2" x 3/8" Reducing ELL
357	8120332	Grip-Handle	428	8000580	Nipple - Close, 1/4 NPT
359	8181954	Hose 3/4" x 31" Lg.-Black	429	8181207	3/8 NPT Close Nipple
360	8104649	Poppet, 1/4" Valve	430	8181191	Valve, Quick Exhaust
361	8102468	Poppet Spring, 1/4" Valve	431	8104844	Fitting, Barbed 1/4"
362	8105671	End Cap, 1/4" Valve	432	8181203	1/2"-1/4" Reducing Bushing
363	8102048	Hose 1/4" x 15"	433	8181190	Airmotor, Gast. 6AM
364	8182080	Seal Kit, T.T. Cylinder	434	8183636	Bootie Kit, Shoe, Pkg of 2
365	8181183	5/16-18 Nylon Insert Lock Nut Gr.5	435	8183605	Bootie Kit, Lift Tool, Pkg of 10
366	8181622	Cap-Cylinder Bottom	436	8183604	Bootie Kit, Rim Clamp, Pkg of 10
367	8182719	1/2-13 Locking Jam Nut, Gr.5	437	8182960	Mount/Demount Head Plastic
368	8182062	Washer 1-38 OD x 1/2 ID x .062	438	8150441	1/4" Star Lock Washer
369	8181629	Shaft-Tabletop Cyl.	439	8301142	Washer, 1/4" Spring Lock
370	8181627	Sleeve-Cylinder	440	8107440	1/4-20 Hex Nut Gr.5
371	8181620	Cap-Cylinder Top	441	8182141	Cord-Entrance to Switch
372	8181633	Tie Bolt-Tabletop Cylinder	442	8143254	Wire Joint
373	8000481	Hose 1/4" x 6"	443	8182366	1/4 NPT Brass Close Nipple
374	8182008	Hose 3/8" x 50	444	8181999	1/4 NPT x 3/8 Tube Male St. Fit.
376	8410419	Air Chuck	446	8181999	1/4 NPT x 3/8 Tube Male St. Fit.
377	8105822	Ø9/16" Hose Clamp	447	8181998	1/4 NPT x 3/8 Tube Male Elbow
378	8182090	Ø1/4 x 61" Hose	448	8182036	3/8" x 12.75 Nylon Tube
379	8182020	3/4 NPT x 1/4 NPT St. Fit.	449	8181998	1/4 NPT x 3/8 Tube Male Elbow
381	8181993	Hose, 3/4" x 15 1/2"	450	8182366	1/4 NPT Brass Close Nipple
383	8181987	1/8 NPT x 1/8 Tube Str. Ftg.	451	8181999	1/4 NPT x 3/8 Tube Male St. Fit.
387	8109481	1/4 x 1/8 Brass Reducer	452	8182367	1/4 NPT Brass Cross Fit.
388	8181996	1/8 NPT x 1/8 Tube Male St. Fit.	453	8181999	1/4 NPT x 3/8 Tube Male St. Fit.

\* Indicates Accessory Item

# Parts Identification

<b>Ref</b>	<b>Part No.</b>	<b>Description</b>
454	8181998	1/4 NPT x 3/8 Tube Male Elbow
455	8182036	3/8" x 12.75 Nylon Tube
456	8181998	1/4 NPT x 3/8 Tube Male Elbow
500	8111083	Regulator
502	8109472	1/8" Inline Filter
503	8110496	Volumn Chamber
504	8109471	1/8" Brass Hex Nipple
505	8109468	Pressure Repeater
506	8182035	Male St Fit. 1/8 NPT x 1/4 Tube
507	8103649	1/4" Hose x 12" Lg.
508	8109466	Valve-Piloted
511	8182037	Nylon Tube 1/4 OD x 10" Lg.
513	8110325	1/4" NPT Male Run Tee
514	8110497	Fitting-90 Deg. Male Elbow
515	8111255	Spl Tee-1/4 NPT x 3/8 x 1/4 Tube
518	8110328	Tee, 1/8" NPT
519	8182981	Warning Decal
522	8181740	SHCS 1/2-13 x 1-3/4" Gr.5
523	8109481	Fitting, Reducer, 1/4 NPT x 1/8 NPT
524	8181997	8181997 Fitting, 90° Elbow, 1/8 x 1/8
525	8183680	Tube, Ø1/8" x 27"
526	8183679	Tube, Ø1/8" x 5"
527	8105615	Muffler 1/4" NPT
528	8184243	Hose, 1/4" x 49", Red
529	8108605	Female Coupling Assembly
530	8182842	Front Cover
531	8183237	Safety Cage Handles Cover
532	8182862	Valve Actuator
533	8014044	Speed Grip Nut
534	8182838	Tube & Mounting Assem., W/C
535	8183067	Trim Strip, 19"

**PANZITTA SALES & SERVICE**  
**72 George Avenue**  
**Wilkes-Barre, PA 18705**  
**570-822-6720 800-822-6720**  
**www.panzittasales.com**

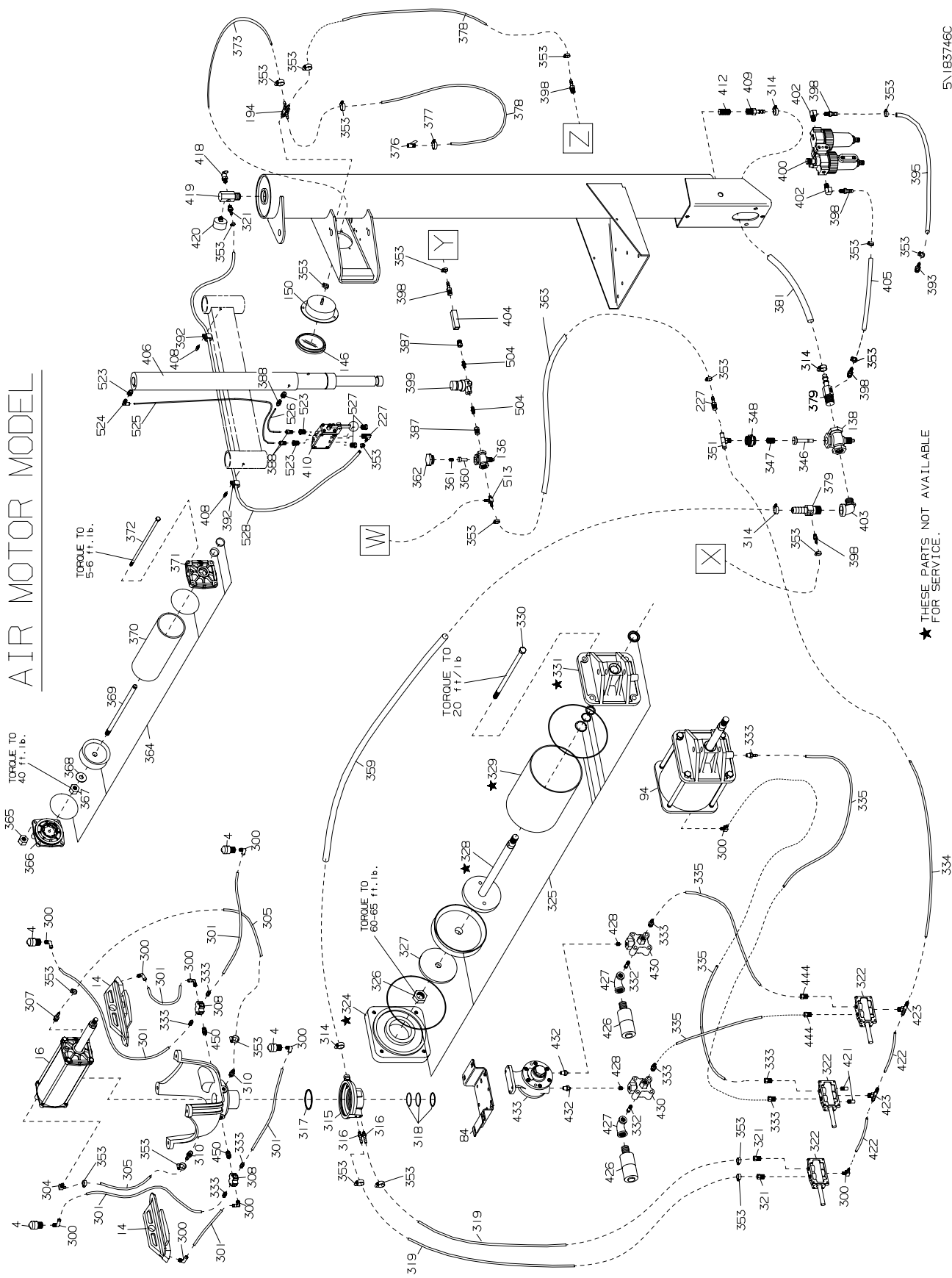
\* Indicates Accessory Item





# Parts Identification

## AIR MOTOR MODEL

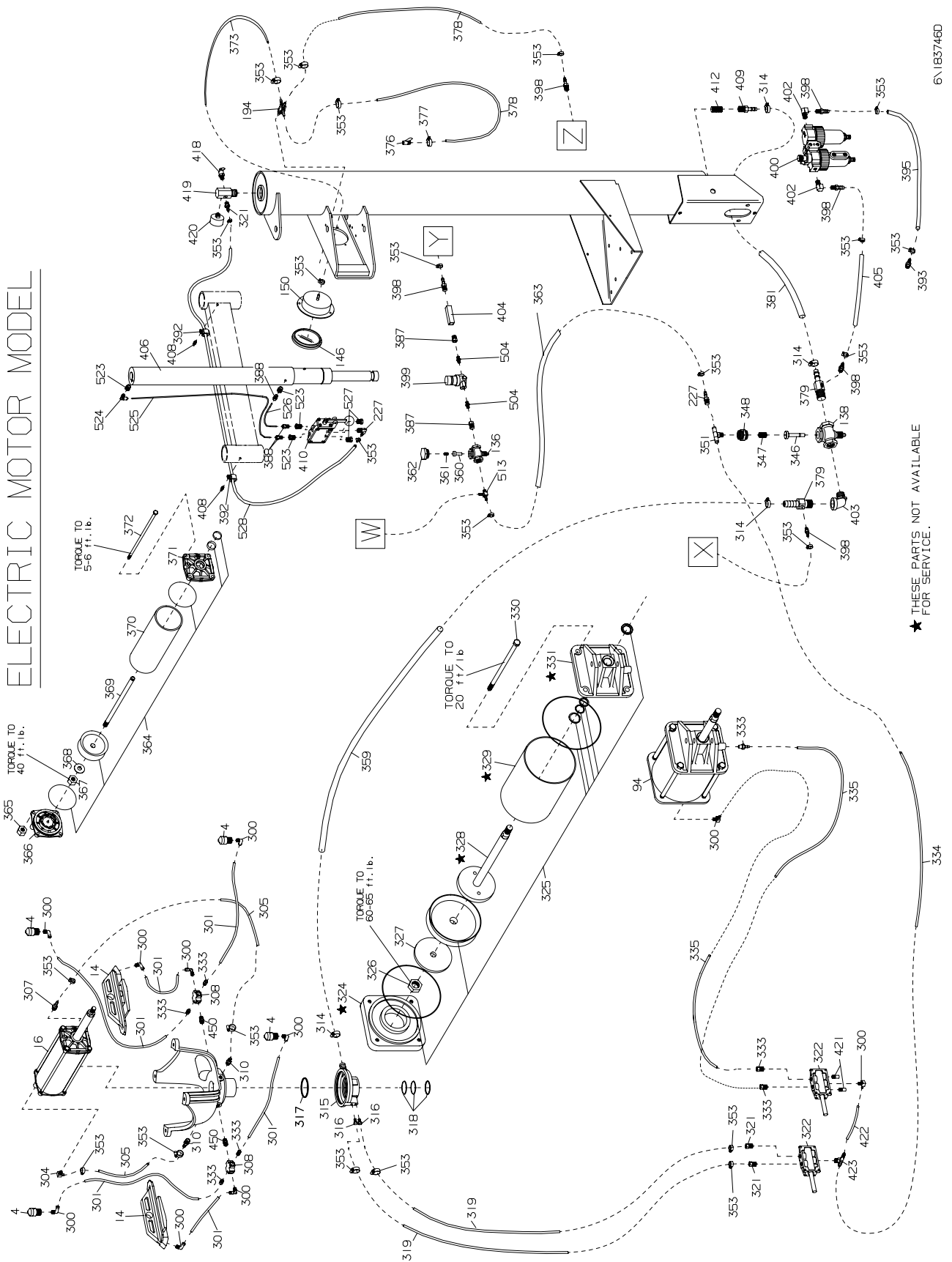


★ THESE PARTS NOT AVAILABLE FOR SERVICE.

5N183746C

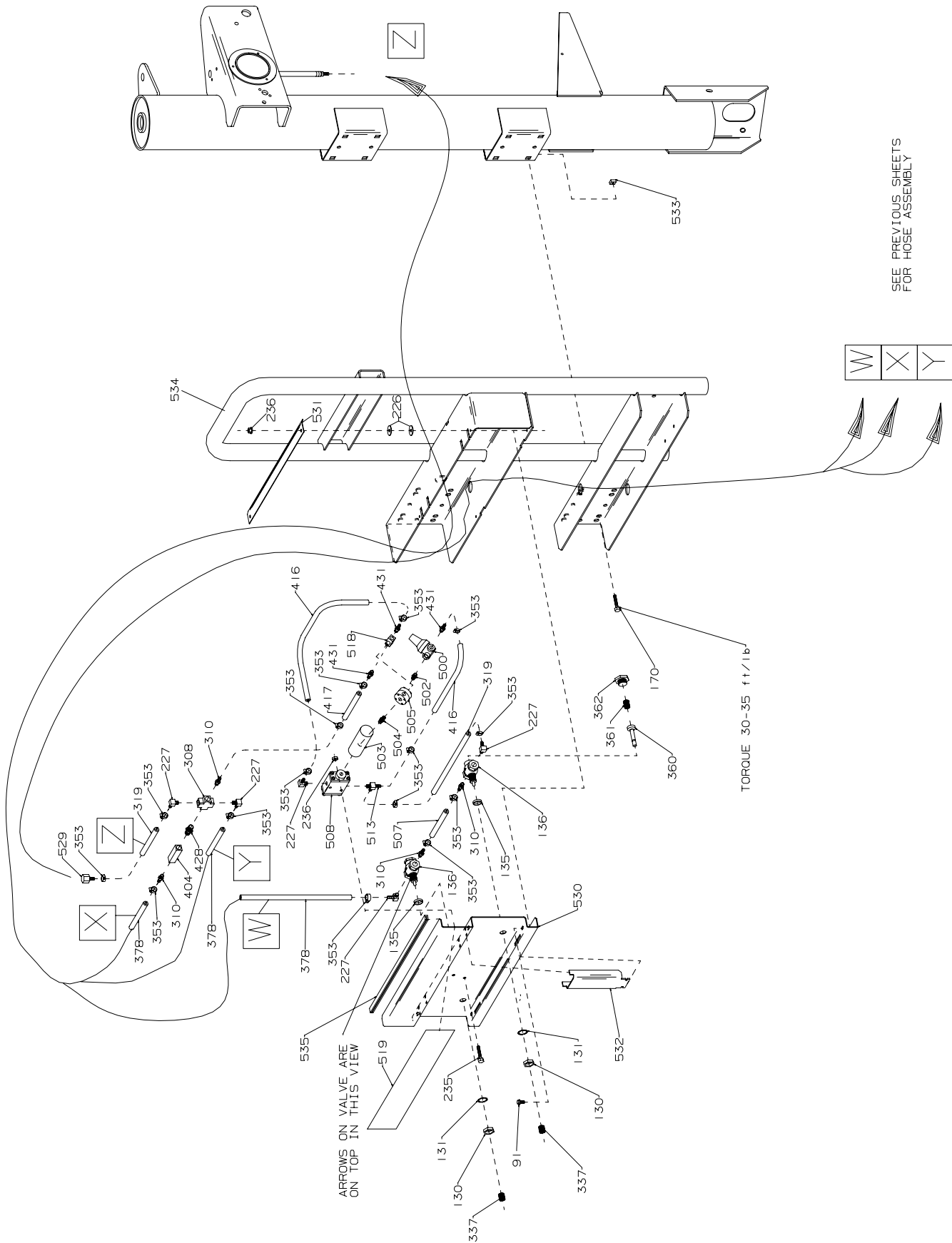
# Parts Identification

## ELECTRIC MOTOR MODEL



61837460

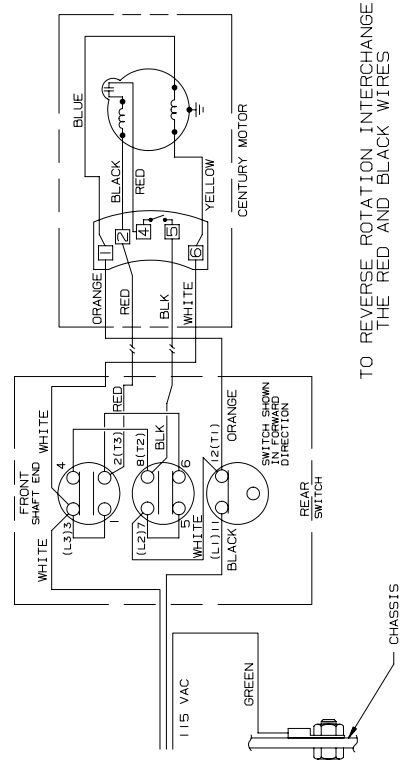
# Parts Identification



7 183746E

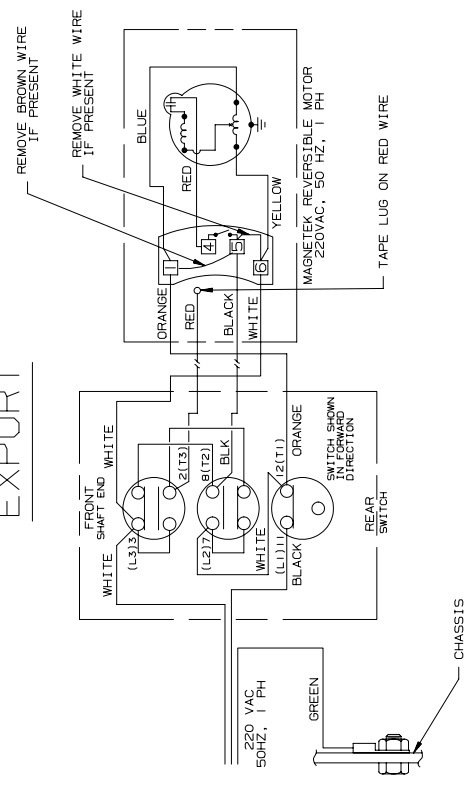
# WIRING DIAGRAMS

## DOMESTIC



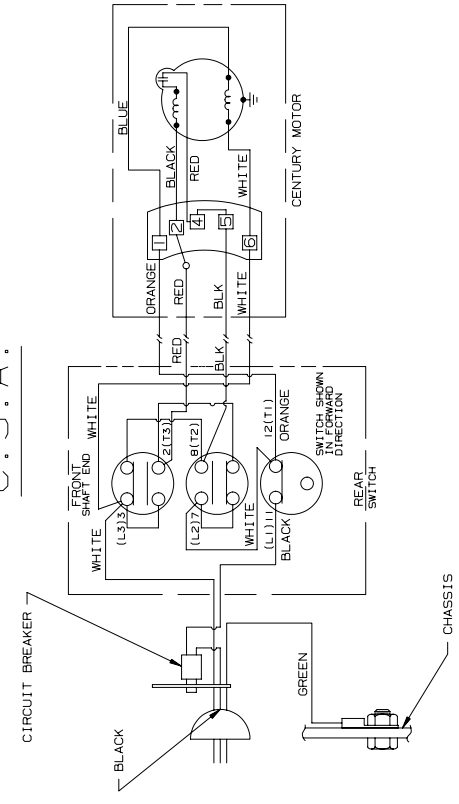
TO REVERSE ROTATION INTERCHANGE THE RED AND BLACK WIRES

## EXPORT



TO REVERSE ROTATION INTERCHANGE THE RED AND BLACK WIRES

## C.S.A.



TO REVERSE ROTATION INTERCHANGE THE RED AND BLACK WIRES

**PANZITTA SALES & SERVICE**  
**72 George Avenue**  
**Wilkes-Barre, PA 18705**  
**570-822-6720 800-822-6720**  
**www.panzittasales.com**

# Rim Clamp® Tire Changer

## All-Air Unit Compressed Air Requirements

COATS® Rim Clamp® tire changers that are powered entirely by air (no electric motor) require a single compressed air power source. Refer to the table below for exact specifications.

Tire Changer Model	Compressor Size	Capable of
7660/7665 AX/EX	5HP	14-15 SCFM at 150 PSI
7650/7655 AX/EX	5HP	14-15 SCFM at 150 PSI
7060/7065 AX/EX	5HP	14-15 SCFM at 150 PSI
7050/7055 AX/EX	5HP	14-15 SCFM at 150 PSI

## Oiler and Water Separator Maintenance

The oiler and water separator (on units so equipped) require weekly service. Oil and water levels (indicated on the level gauge on the side of each bowl) should be checked regularly

**1.** The units are equipped with an automatic drain on the water separator and the presence of water under the separator bowl indicates proper function.

**2.** Add oil to the oiler if the fluid level is more than 1/4" from the top of the gauge. Remove the filler plug in the top of the oiler, and add SAE 10W non-detergent oil or an air tool oil to bring the level up to 1/4" from the top of the gauge. Replace the filler plug and clean up any spilled oil.

**3.** On oiler units, adjust the oil flow by rotating the black flow adjustment knob to increase or decrease the flow. Watch the formation of oil drops in the see-through oil chamber. Continually cycle the bead loosener through full strokes and count the drops during the cycles. The delivery of oil to the air line should be about 1 drop per 10 cylinder cycles. Adjust the flow as required.

**Note:** An alternate adjustment method for the oil flow is to turn the knob fully clockwise to stop the flow, then turn it back counterclockwise 1/4 turn.

## Transmission Lubrication

The transmission in this machine is a sealed unit packed with grease and should need no regular maintenance.

## Air Gauge Check and Recalibration

**1.** Inflate a standard 15" passenger car tire/wheel assembly to 32 PSI. Use a high quality stick-type pressure gauge to verify the pressure. Attach the tire changer's inflation hose to the valve stem and check the pressure reading on the air gauge. If it does not read 32 PSI, recalibrate the gauge.

**2.** Remove the screw-on lens. Loosen the 2 screws on the face of the gauge. Loosen them just enough so that the gauge face moves. Do not remove the screws.

**3.** Rotate the gauge face until the 32 PSI mark is aligned with the gauge needle. Tighten the 2 screws and replace the lens.

## Danger, Warning, Caution, and Instructional Decals

Always make the cleaning of these important decals a part of your regular maintenance routine. If they are damaged or illegible, replace them immediately. Your safety, and the safety of others is involved!

**PANZITTA SALES & SERVICE**  
**72 George Avenue**  
**Wilkes-Barre, PA 18705**  
**570-822-6720 800-822-6720**  
**www.panzittasales.com**