

COATS®

9024

Rim Clamp® Tire Changer

*For servicing single
piece automotive and
most light truck
tire/wheel assemblies*



Parts Identification

READ these instructions before placing unit in service KEEP these and other materials delivered with the unit in a binder near the machine for ease of reference by supervisors and operators.

HENNESSY INDUSTRIES, INC.

1601 J. P. Hennessy Drive, LaVergne, TN USA 37086-3565 615/641-7533 800/688-6359

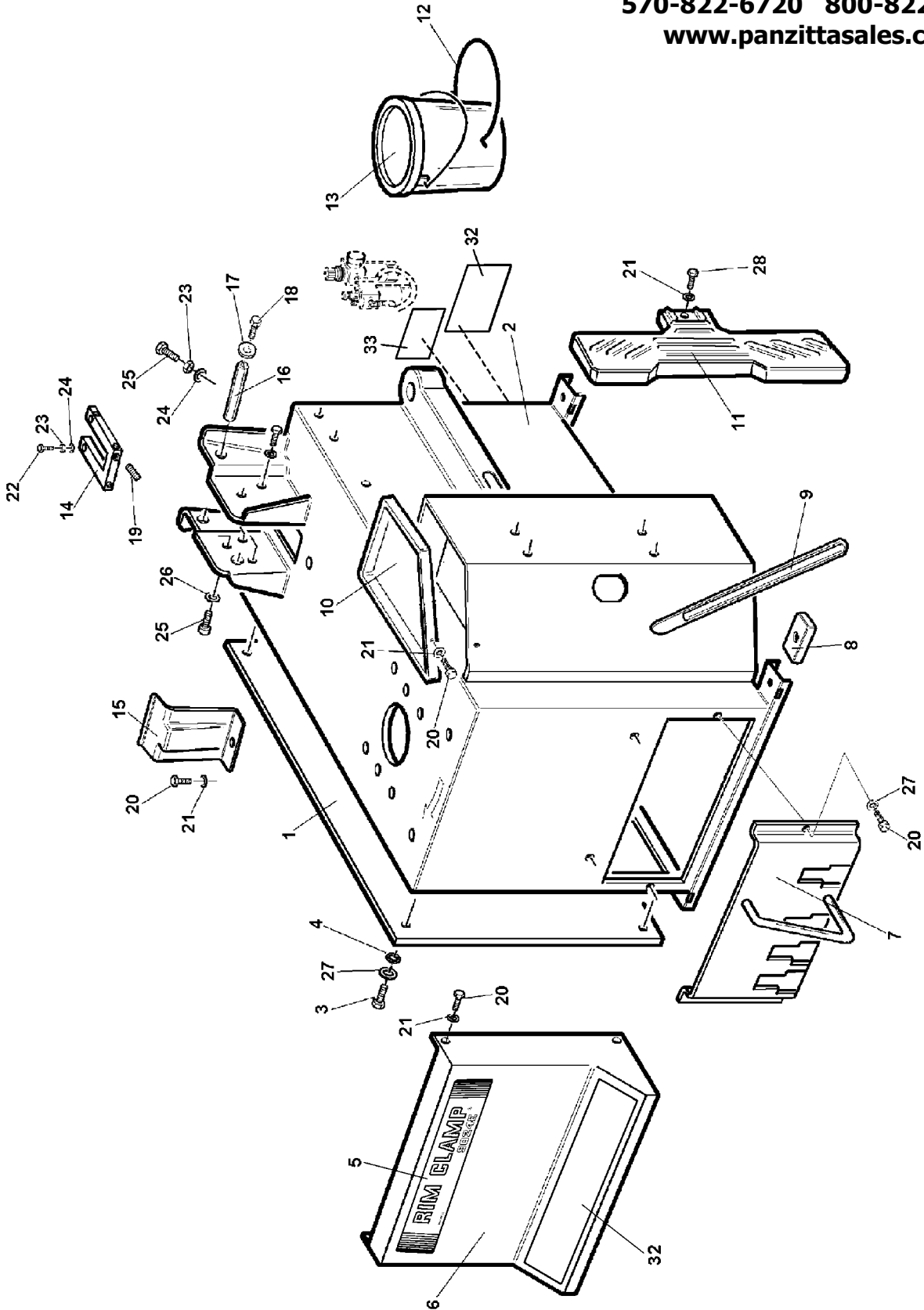
HENNESSY INDUSTRIES INC. Manufacturer of AMMCO®, COATS® and BADA® Automotive Service Equipment and Tools.

Manual Part No.: 8184378 03

Revision: 06/03

PANZITTA SALES & SERVICE
72 George Avenue
Wilkes-Barre, PA 18705
570-822-6720 800-822-6720
www.panzittasales.com

Chassis



Ref	Part No.	Description
1	2112268	Side Cover
2	7911982	Chassis Body
3	4398708	Screw 6x16
4	4399288	Washer Toothed 6,4x11x0,7
6	6612729	Pedal Cover
7	6612453	Pedal Support
8	3002099	Plastic Foot
9	8181354	Bead Lifting Lever
10	3011972	Cover
11	3002102	Wheel Support
12	3000069	Spring
13	8183710	Grease Cup
14	3012312	Spacer
15	3012450	Cover Protection
16	3000206	Trunnion
17	3000495	Washer D.10x36x5
18	4399966	Screw M10x20 - 8.8
19	4399957	Screw 6x8
20	4398723	Screw 6x12 - 8.8
21	4398848	Washer 6 (6,6x18x1,5)
22	4399880	Screw 10x40
23	4399967	Nut M10
24	4398662	Washer Grower D.10
25	4399228	Screw 10x25
26	4399378	Washer D.10 (10,5x21x2)
27	4399998	Washer 6 (6,4x12x1,6)
28	4399584	Screw 6x18
29	8184270	9024 E Decal Machine
30	8183593	Foot Pedal Decal
31	8314012	CSA Decal
32	8140963	Caution Decal

PANZITTA SALES & SERVICE

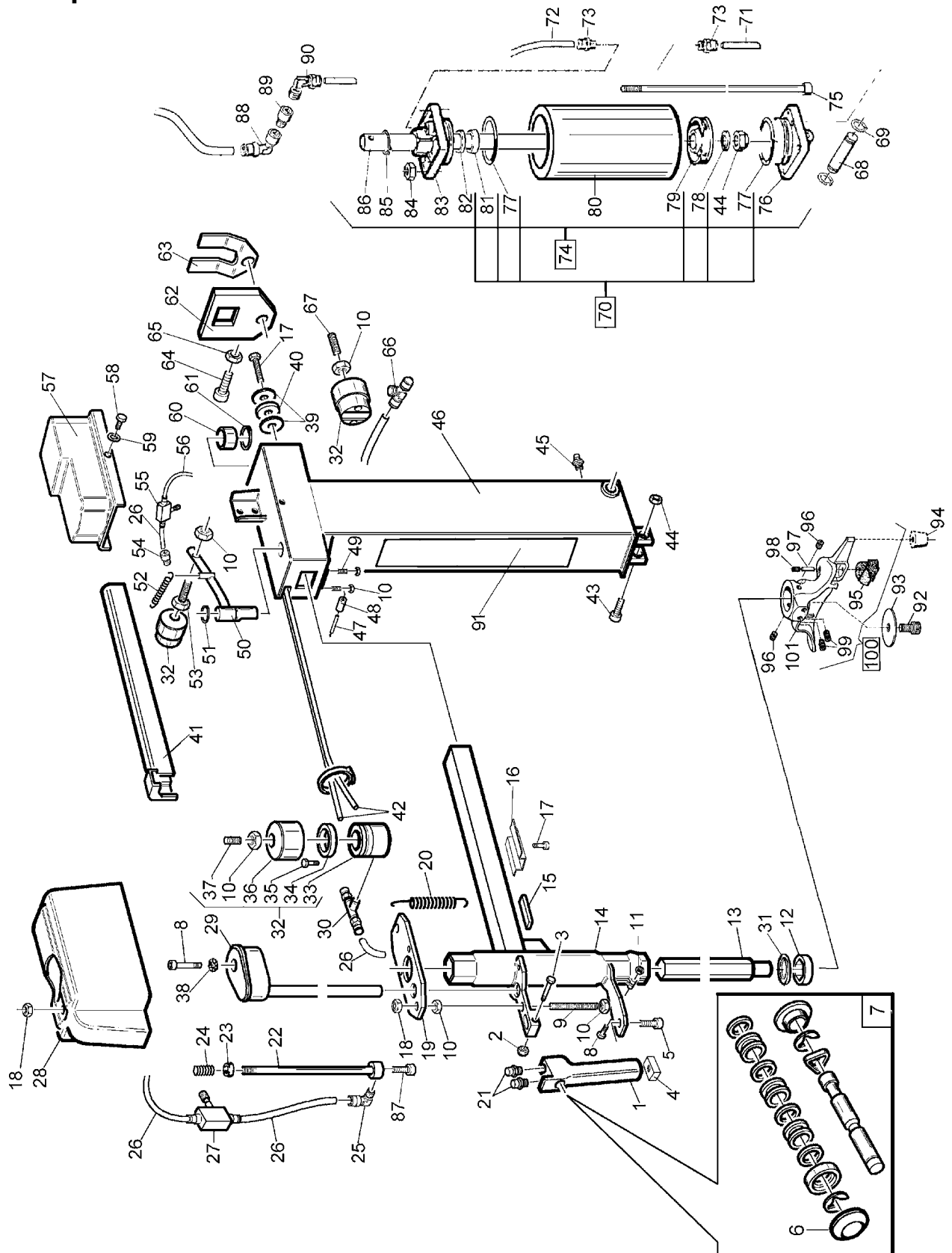
72 George Avenue

Wilkes-Barre, PA 18705

570-822-6720 800-822-6720

www.panzittasales.com

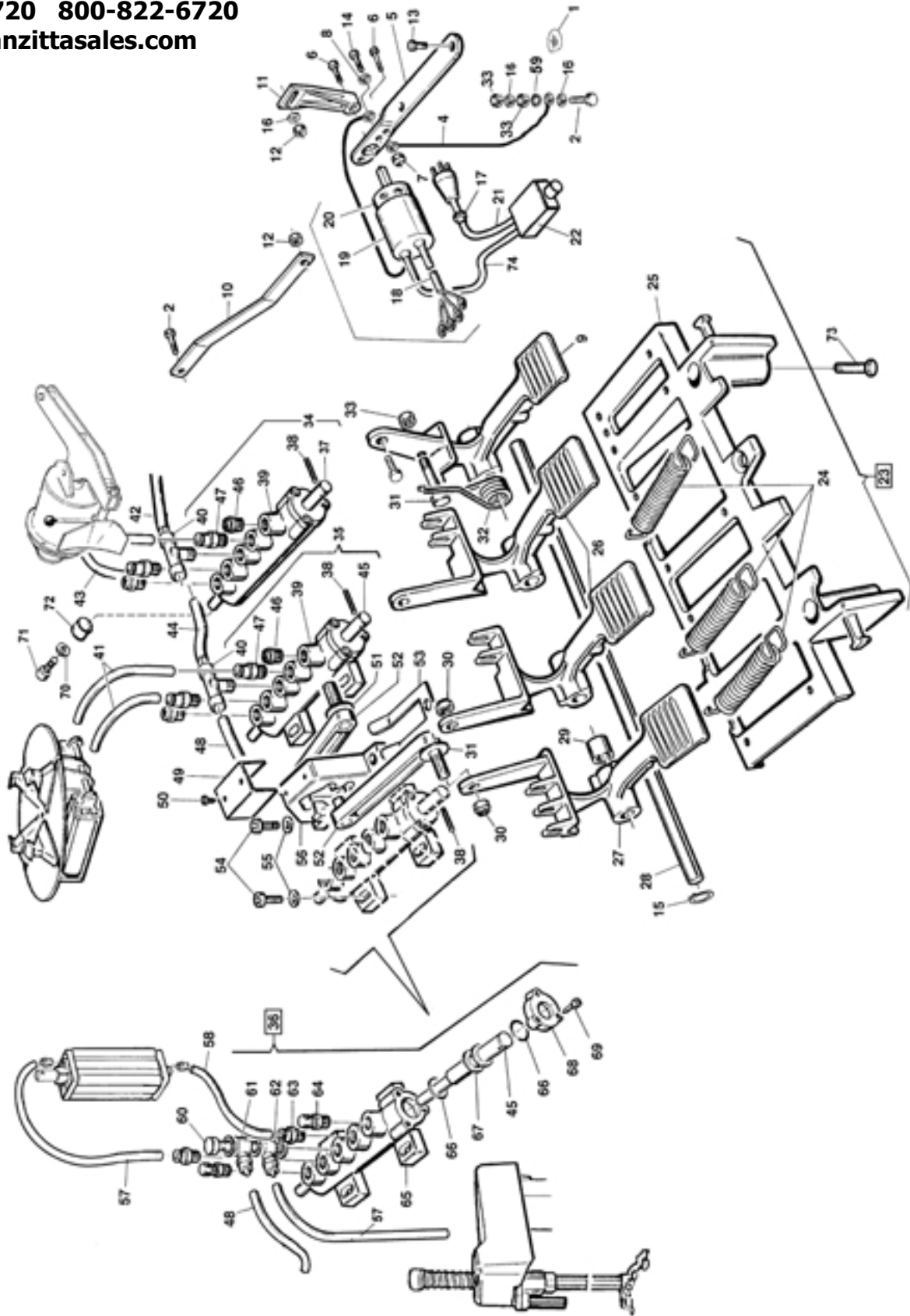
Tower Assembly



Ref	Part No.	Description	Ref	Part No.	Description	Ref	Part No.	Description
1	3007641		40	3000181	Washer	80	3008084	Cylinder Liner L=135
2	4399895	Nut Self-Locking M4	41	3008915	Pipe Guide	81	4298823	Nylon Guide
3	4399896	Screw 4x35	42	3007988	Rilsan Hose 4x2.7 L=2200	82	3199601	Scraper
4	3012488	Handle Insert	43	3000599	Pin M12 L=50	83	3009513	Flange
5	4399892	Screw M6x20 - 8.8	44	4399865	Nut Self-Locking M12	84	4397678	Nut Flanged M8
6	3012721	Cap	45	4399207	Lubricator M6	85	3199599	Seeger Ring D.30
7	2008335	Arm Control Spares	46	7911983	Vertical Arm	86	3002624	Cylinder Rod L=307
8	4399133	Screw 8x40	47	3008171	Roller	87	4397560	Screw 5x16
9	3012459	Threaded Bar M10 L=120	48	4397661	Parallel Pin 12x80	88	4197210	Union 1/8"
10	4399967	Nut M10	49	4398762	Screw 10x25	89	4197209	Coupling 2543 1/8" F
11	4399900	Self-Locking Nut M8	50	2112762	Locking Lever	90	4199098	Quick Union 1/8" 6-4
12	3009044	Shock Absorber D.34x44x13	51	4399979	Seeger Ring D.30	91	8182373	Warning Decal
13	3008889	Hexagonal Arm D.41 L=856	52	3000141	Spring	92	4399953	Screw M10x16 - 8.8
14	6612521	Arm Horizontal	53	4398900	Screw Brass 10x25	93	3000495	Washer D.10x36x5
15	3007935	Shock Absorber	54	4197742	Quick Union 1/8"	94	3000215	Peak Roll
16	3007934	Shock Absorber Seat	55	4197703	Flow Regulator	95	3006689	Plastic Insert
17	4399827	Screw 8x20	56	3008355	Rilsan Hose 4x2 L=300	96	4397046	Set Screw M10x10
18	4399971	Nut Self-Locking M10	57	3011973	Cover	97	4398854	Spring Pin 5x20
19	3006106	Arm Locking Plate	58	4398723	Screw 6x12 - 8.8	98	4399121	Screw 6x6
20	3002273	Spring	59	4399998	Washer 6 (6,4x12x1,6)	99	4398849	Screw M10x16
21	4197743	Union	60	3000736	Bushing 16x25x15,25	100	2007802	Small Mounting Head Compl.
22	2008969	Inner Pipe	61	4398686	Seeger Ring D.16	101	3007801	Shorter Mounting Head
23	4298812	Sealing Ring 8,4x16x6,2	62	2108115	Arm Locking Plate			
24	3002629	Spring 13,5x28 F 2,3	63	3007839	Arm Locking Spring			
25	4197718	Union	64	4397527	Screw 8x30 - 10.9			
26	3007990	Rilsan Hose 4x2 L=220	65	4399976	Nut M8			
27	4197703	Flow Regulator	66	4197740	Quick Union 1/8"			
28	3012357	Arm Frame	67	4398284	Screw 10x30			
29	2008968	Outer Pipe	68	3000464	Pin			
30	4197740	Quick Union 1/8"	69	4399864	Seeger Ring D.12			
31	4397031	Steel Shim 35x45x0,5	70	2004804	Cylinder Seal Kit			
32	2099665	Locking Cylinder	71	3000217	Rilsan Hose 6x4 L=840			
33	4299523	Piston D.60	72	3000218	Rilsan Hose 6x4 L=1200			
34	4299522	Sealing Ring	73	4198993	Quick Union 1/8" - 6			
35	4399135	Screw 6x35	74	2008082	Tilting Cylinder			
36	4299524	Cylinder Liner D.60	75	3008085	Special Screw M8x160			
37	4398284	Screw 10x30	76	3002293	Flange			
38	4399122	Toothed Washer 8,4x15x0,8	77	4298822	O-Ring D.68,26x3,53			
39	4399947	Washer 8 (9x32x4)	78	4398753	Washer D.12,5x30x3			
			79	4198856	Piston D.75			

PANZITTA SALES & SERVICE
72 George Avenue
Wilkes-Barre, PA 18705
570-822-6720 800-822-6720
www.panzittasales.com

Foot Pedal Assembly



PANZITTA SALES & SERVICE
72 George Avenue
Wilkes-Barre, PA 18705
570-822-6720 800-822-6720
www.panzittasales.com

Ref	Part No.	Description	Ref	Part No.	Description
1	3005604	Sticker	40	4198778	Union 6410 1/8" - 8
2	4399892	Screw M6x20 - 8.8	41	3099335	Hose Rilsan D.8x6 L=750
3	4398848	Washer 6 (6,6x18x1,5)	42	3001342	Hose Rilsan D.8x6 L=1000
4	2006040	Ground Cable	43	3000144	Hose Rilsan D.8x6 L=910
5	3002445	Support	44	3002446	Hose Rilsan D.8x6 L=100
6	4399905	Screw M4x12 8.8	45	3002442	Pin Valve
7	4399996	Nut M4 6s	46	4199610	Silencer 1/8"
8	4399045	Toothed Washer 3,2x12x0,5	47	4198954	Quick Union 6510 1/8" - 8
9	3002157	Reverser Control Pedal	48	3001182	Hose Rilsan D.8x6 L=250
10	3002447	Connecting Rod	49	4299910	Connecting Rod Guide
11	3000175	Reverser Lever	50	4399891	Screw Self-Tapping 2,9x6,5
12	4399893	Self Locking Nut M6	51	4399894	Washer Belleville 8,2x18x1
13	4398273	Self Tapping Screw 5,5x19	52	4299912	Connecting Rod
14	4399044	Screw 3x12 12,9	53	4299911	Spring Forked Leaf
15	4399864	Seeger Ring D.12	54	4398274	Screw Self Tapping 5,5x26
16	4399998	Washer 6 (6,4x12x1,6)	55	4399288	Washer Toothed 6,4x11x0,7
17	4599986	Cable Holder D.9	56	4299913	Double Cam
18	2000525	Connecting Cable L=1500	57	3000218	Hose Rilsan 6x4 L=1200
19	3000174	Reverser Cover	58	3000217	Hose Rilsan 6x4 L=840
20	4598154	Reverser Switch 1 Ph, 32 Amp	59	4399122	Washer Toothed 8,4x15x0,8
21	8184450	Power Cable	60	4199928	Union 1/8"
22	8184376	Circuit Breaker - 25 Amp	61	4199842	Union 1/8" - 8
24	3006773	Pedal Return Spring 14x110	62	4199927	Union 1/8" - 6
25	3002161	Pedal Box Base	63	4198993	Quick Union 1/8" - 6
26	3002159	Pedal	64	4199843	Adjuster 1/8" Silencer Outlet
27	3002160	Tilting Control Pedal	65	3001583	Valve Distribution
28	3003095	Pedal Alignment Pin	66	4299000	O-Ring 9,8x3,85
29	3007953	Bushing D.18x12,5x21	67	3001584	Spacer For Valve 3001583
30	4399900	Self Locking Nut M8	68	3001585	Flange For Valve 3001583
31	4397649	Screw 6x50 8.8	69	4398999	Screw Self-Tapping 3,5x13
32	3000142	Spring Control Pedal	70	4399905	Screw M4x12 - 8.8
33	4399889	Nut M6	71	4398848	Washer 6 (6,6x18x1,5)
34	2006297	Valve Bead Breaking	72	4197629	Washer Nylon 1/8"
35	2002529	Valve Turntable	73	4399946	Screw M8x16 - 8.8
36	2002531	Valve Tilting	74		Connector Cable *
37	3007598	Shaft Valve			
38	4398783	Pin Spring D.4x24			
39	2002444	Valve Assembly Without Pin			

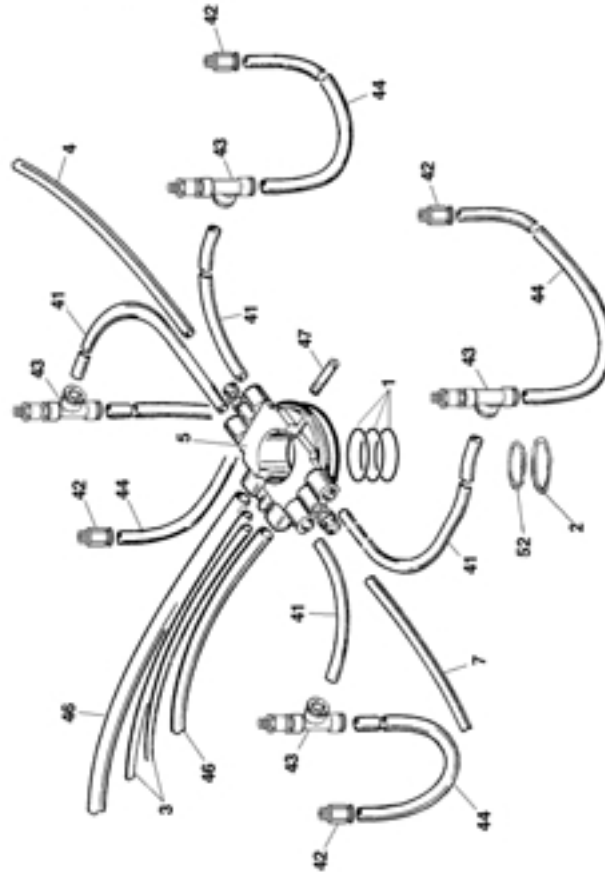
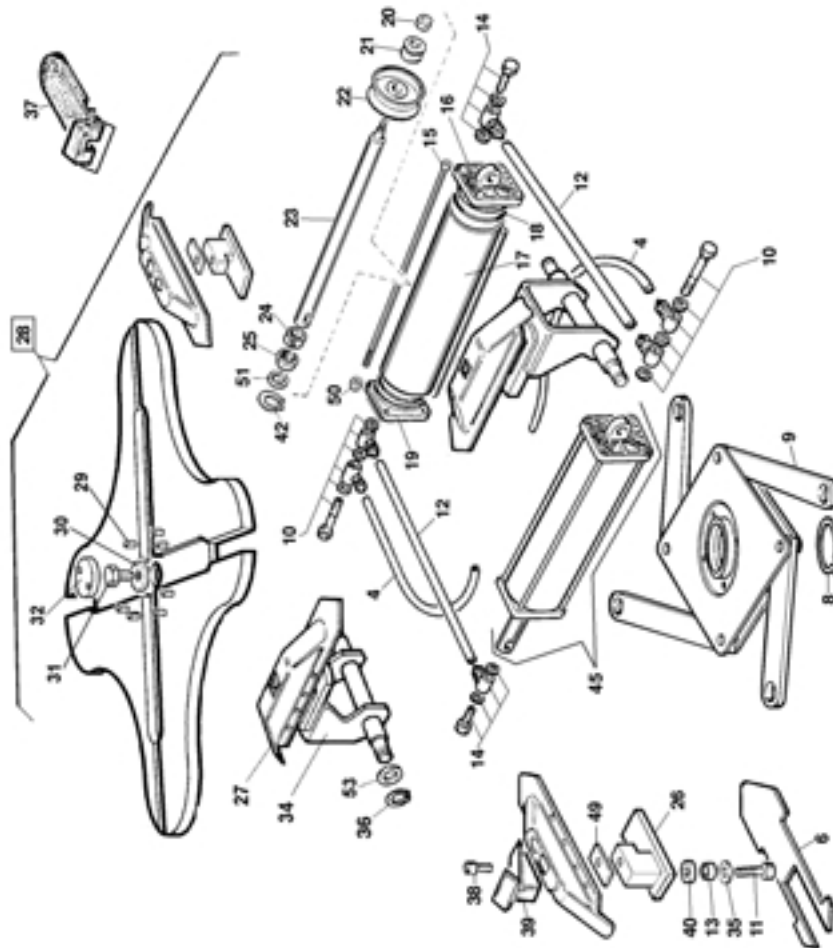
* Call Hennessy Product Service

PANZITTA SALES & SERVICE
72 George Avenue
Wilkes-Barre, PA 18705
570-822-6720 800-822-6720
www.panzittasales.com

Ref	Part No.	Description	Ref	Part No.	Description
1	4398289	Washer 18 (19x34x3)	40	439813	Washer 20 (21x37x3)
2	3005053	Cylinder Liner	41	4398007	Nut Flanged M6
3	4398725	Nut Self-Locking M18	42	6611984	Arm Bead Breaking
4	3005809	Limit Stop	43	4398178	Seeger Ring D.40
5	2009091	Cylinder Seal Kit	44	4398144	Nut M18
6	3006496	Washer 18x90	46	3008990	Pin Pivot D.40
7	4399892	Screw M6x20 - 8.8	47	4399949	Nut Self-Locking M14
8	3007852	Piston Rod D.20 L=525	48	4398899	Spring Belleville 14,3x34x1,5
10	2112412	Flange	49	4398751	Washer 14 (16x42x3)
11	3000117	Bushing	50	4299952	Knob D.12
12	4399943	Screw 12x35	51	2112275	Plate Bead Breaking
13	3000889	Hose 8x6 L=1100	52	3010293	Trunnion L=96
14	4198578	Rotating Union 1/4" - 8-6	53	4396941	Nut M14
18	3199599	Seeger Ring D.30	54	3008811	Cylinder Back Flange
19	4399121	Screw 6x6	55	4397401	Flange Nut M 10
20	2112754	Support	56	3008812	Tie Rod M10 L=260
21	3002117	Shock Absorber D.20x63x12			
22	3012489	Spring Plate			
23	4397455	Screw 16x140			
24	3000114	Spring Arm			
25	2111986	Trunnion			
26	4396312	Screw 16x110			
27	4399963	Nut Self-Locking M16			
28	4297585	O-Ring D.15,47x3,53			
29	2111987	Guide			
30	4399378	Washer D.10 (10,5x21x2)			
31	4399966	Screw M10x20 - 8.8			
32	3001039	Roller			
33	2013417	Cylinder Bead Breaker			
34	4198954	Quick Union 65 10 1/8" - 8			
35	4198894	Coupling 2543 1/4" F			
36	4199671	Valve Quick Relief 1/4"			
37	4399975	Seeger Ring D.20			
38	2008204	Valve Quick Relief			
39	4399946	Screw M8x16 - 8.8			

PANZITTA SALES & SERVICE
72 George Avenue
Wilkes-Barre, PA 18705
570-822-6720 800-822-6720
www.panzittasales.com

Tabletop Assembly

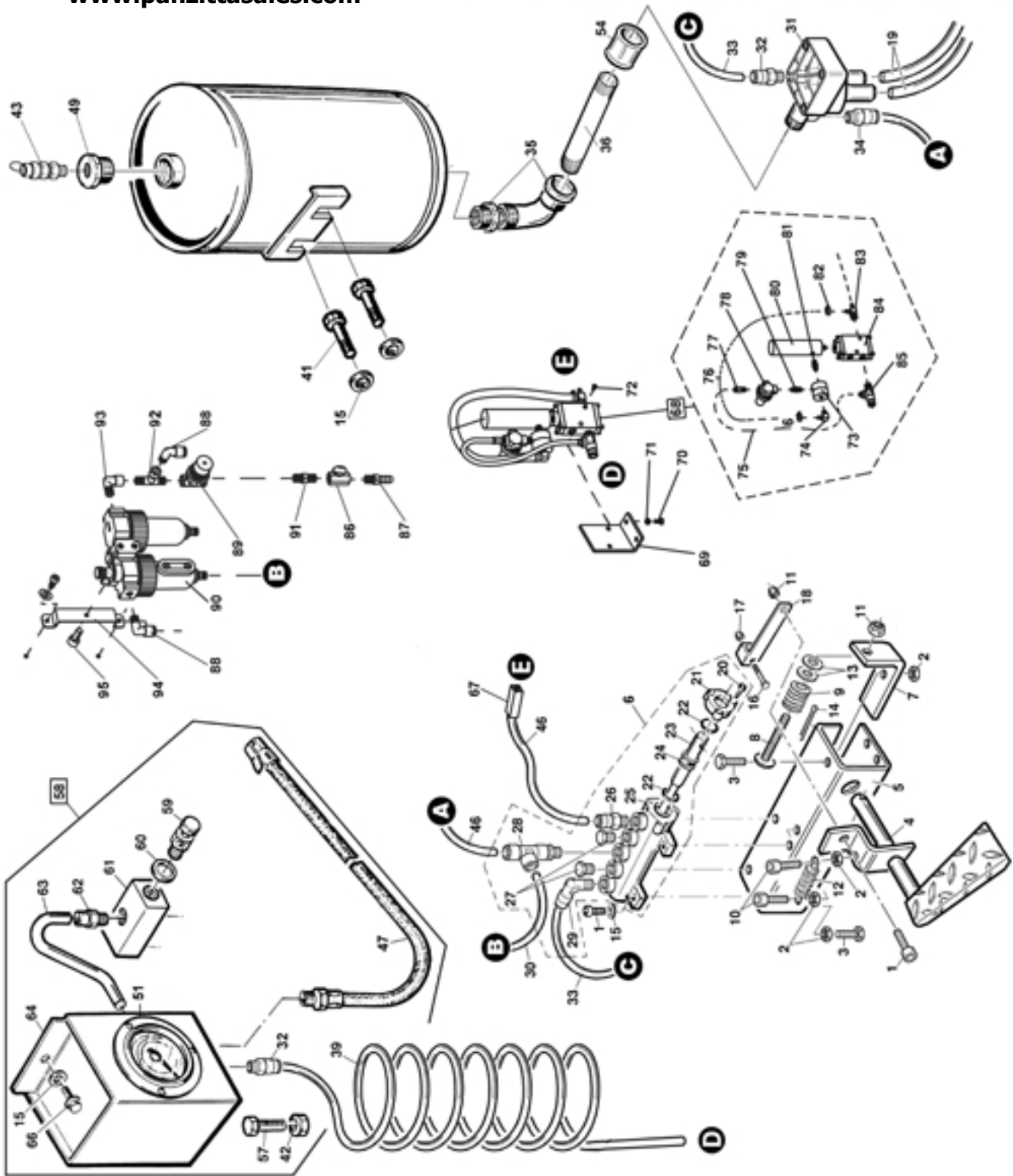


PANZITTA SALES & SERVICE
72 George Avenue
Wilkes-Barre, PA 18705
570-822-6720 800-822-6720
www.panzittasales.com

Ref	Part No.	Description	Ref	Part No.	Description
1	4298802	O-Ring 63,17x2,62	40	3006879	Spacer Turntable
2	3008646	Spacer O-Ring (D.55x1,5)	41	3006477	Hose 10x6,5 L=335
3	3099335	Hose Rilsan D.8x6 L=750	42	4198035	Brass Union Pc10-02
4	3002225	Hose Spiral Rilsan 8x6 L=320	43	4197207	Union Tee 1/8" 10-8
5	4298992	Rotating Union	44	3006478	Hose Polyurethan 10x6,5 L=310
6	3012224	Plate 24" Turntable	45	2008857	Cylinder 24" Turntable
7	3002226	Hose Spiral Rilsan 8x6 L=430	46	3002109	Hose Rilsan D.14x11 L=1070
8	4399932	Seeger Ring D.65	47	3001996	Screw
9	2012472	Flange 24" Turntable	48	3199599	Seeger Ring D.30
10	4198870	Double Union 1/8" 8-6	49	3006877	Slide Shim
11	4398838	Screw M12x1,25x45	50	4397678	Nut Flanged M8
12	3099338	Hose Rilsan D.8x6 L=170	51	4398146	Steel Shim 24x30x0,3
13	3006880	Spacer Connecting Rod	52	4297520	O-Ring 153 D.49,21x3,53
14	4198898	Union 1/8" 8-6	53	4398637	Washer D.12x21x2,5
15	3008860	Stud Bolt M8x1,25x437			
16	3002293	Flange			
17	3008858	Cylinder Liner L=402			
18	4298822	O-Ring D.68,26x3,53			
19	3009513	Front Flange			
20	4399865	Nut Self-Locking M12			
21	4398753	Washer D.12,5x30x3			
22	4198856	Piston D.75			
23	3008859	Cylinder Shaft D.20 L=458			
24	4298823	Guide In Nylon			
25	3199601	Scraper			
26	2107487	Slide Guide			
27	2107387	Gt Slide			
28	2012470	Turntable 24" Gt			
29	4398727	Retaining Pin D.5x18			
30	3009778	Washer D.16x47x13			
31	4399926	Screw M16x1,5x40 - 8.8			
32	3000062	Cap Turntable			
33	2111874	Turntable 24" Square			
34	2107488	Pin Slide Guide			
35	4399981	Washer 12 (13x24x2,5)			
36	4399864	Seeger Ring D.12			
37	2006393	Clamp Cover			
38	4398037	Screw 10x1,25x25 12.9			
39	3002297	Clamp Oversize			

PANZITTA SALES & SERVICE
72 George Avenue
Wilkes-Barre, PA 18705
570-822-6720 800-822-6720
www.panzittasales.com

Inflation Group

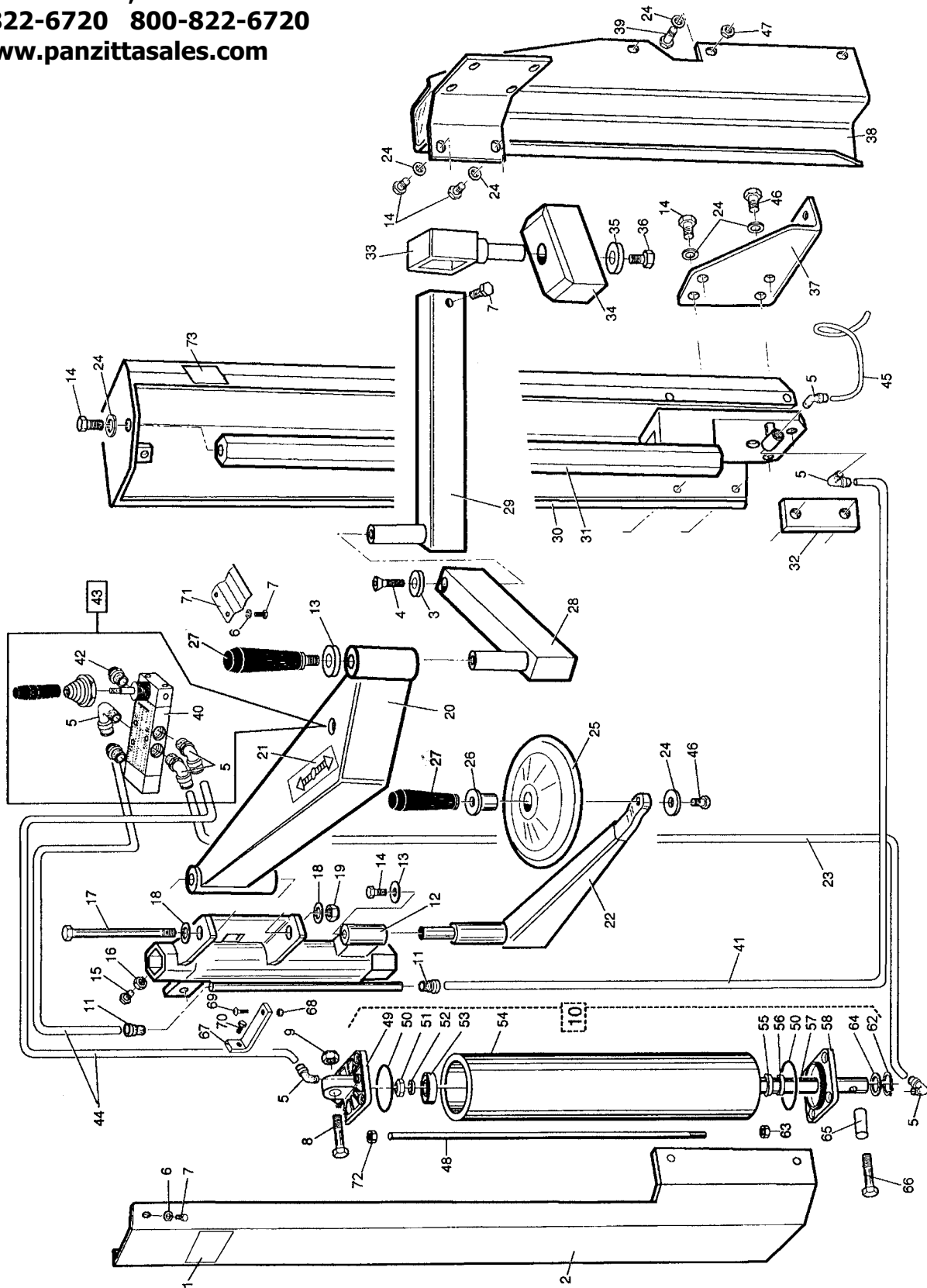


PANZITTA SALES & SERVICE
72 George Avenue
Wilkes-Barre, PA 18705
570-822-6720 800-822-6720
www.panzittasales.com

Ref	Part No.	Description	Ref	Part No.	Description
1	4399890	Screw M6x20 - 8.8	50	6602899	Tank 18lt D.245
2	4399889	Nut M6	51	8107985	Flanged Air Gauge W/Fasteners
3	4399892	Screw M6x20 - 8.8	53	4198435	Valve Safety 1/8" O/4 Bar
4	2110288	Pedal Gt	54	4198642	Sleeve Collar F 1"
5	3010287	Pedal Support Gt	55	3000144	Hose Rilsan D.8x6 L=910
6	2009718	Valve Unit	57	4399946	Screw M8x16 - 8.8
7	3008005	Limit Stop Screw Support	58	2008871	Pneum. Control Unit Gt
8	4398890	Bolt 6x40 4.6	59	4299354	Pushbutton Relief
9	4298942	Spring D.20x26	60	4399256	Washer 1/4" D.13x19x1,5
10	4399999	Screw M6x25 - 8.8	61	3002353	Distribution Frame
11	4399893	Nut Self-Locking M6	62	4198993	Quick Union 1/8" - 6
12	3000141	Spring	63	3002599	Hose Elastolan 6x4 L=170
13	4398807	Washer 14 (15x28x2,5)	64	6602342	Gauge Pressure Unit Gt
14	4399100	Split Pin D.3,2x30	66	4399892	Screw M6x20 - 8.8
15	4399998	Washer 6 (6,4x12x1,6)	67	3000670	Union, Manifold
16	4399897	Screw M14x25 - 8.8	68	811186	Pressure Limiter Assembly
17	4399895	Nut Self-Locking M4	69	3008992	Pressure Regulator Bracket
18	3001853	Valve Control Lever	70	4399300	Screw M6 x 12 8.8
19	3002109	Hose Rilsan D.14x11 L=1070	71	4399998	Washer M6 (6,4 x 12 x 1,6)
20	4398999	Screw Self-Tapping 3,5x13	72	4399299	Screw 6 x 30 8.8
21	3001585	Flange For Valve 3001583	73	8109468	Pressure Repeater
22	4299000	O-Ring 9,8x3,85	74	8110497	Fitting-90 Deg. Male Elbow
23	3001849	Gt Pneumatic Valve Shaft	75	8182037	Nylon Tube 1/4" OD x 10" Lg.
24	3001584	Spacer For Valve 3001583	76	8103649	Ø1/4" x 12" Hose
25	3001583	Valve Distribution	77	8182035	Male St Fit. 1/8 NPT x 1/4 Tube
26	4198954	Quick Union 6510 1/8" - 8	78	8111083	Regulator
27	4199161	Plug	79	8109472	1/8" Inline Filter
28	4199888	T-Union	80	8110496	Volumn Chamber
29	4199098	Quick Union 1/8" 6-4	81	8109471	1/8" Brass Hex Nipple
30	3001382	Hose Rilsan D.8x6 L=850	82	8101428	Hose Clamp-1/4 ID Hose
31	4198531	Valve Pneumatic 1"	83	8110325	1/4" NPT Male Run Tee
32	4198884	Union 6510 1/4"	84	8109466	Valve-Piloted
33	3002110	Hose Rilsan D.6x4 L=580	85	8111255	Spl Tee=1/4 NPT x 3/8 x 1/4 Tube
34	4198298	Union 6510 1/4" - 6	86	4198143	Valve 400 1/4" F-F
35	4198852	Union 3 Pcs. (125) 1" F/M 90'	87	4199026	Union 1/4"
36	3005041	Pipe 1"	88	4198883	Quick Union 6500 1/4" - 8
37	4198173	Regulator 1/4" 0-3.5 Bar	89	4198951	Regulator
38	4198884	Union 6510 1/4"	90	8182827	Filter Lubricator Unit
39	3000635	Hose Rilsan D.8x6 L=2300	91	4199726	Nipple 1/4"
40	4398945	Screw 4x12,6	92	4198973	Union-Tee
41	4399837	Screw M8x20 10.9	93	4198908	Union 2020 1/4" F/M 90
42	4399976	Nut M8	94	6604693	Filter Lubricator Bracket
43	4198703	Valve Safety 1/4"	95	4399300	Screw M6x12 - 8.8
44	4198908	Union 2020 1/4" F/M			
45	4198578	Rotating Union 1/4" - 8-6			
46	3010798	Hose Rilsan D. 8x6 L=440			
47	2008872	Hose Gt Control Unit L=1400			
49	4199795	Reduction Piece 1/2" - 1/4"			

PANZITTA SALES & SERVICE
72 George Avenue
Wilkes-Barre, PA 18705
570-822-6720 800-822-6720
www.panzittasales.com

Left Helpers and Support

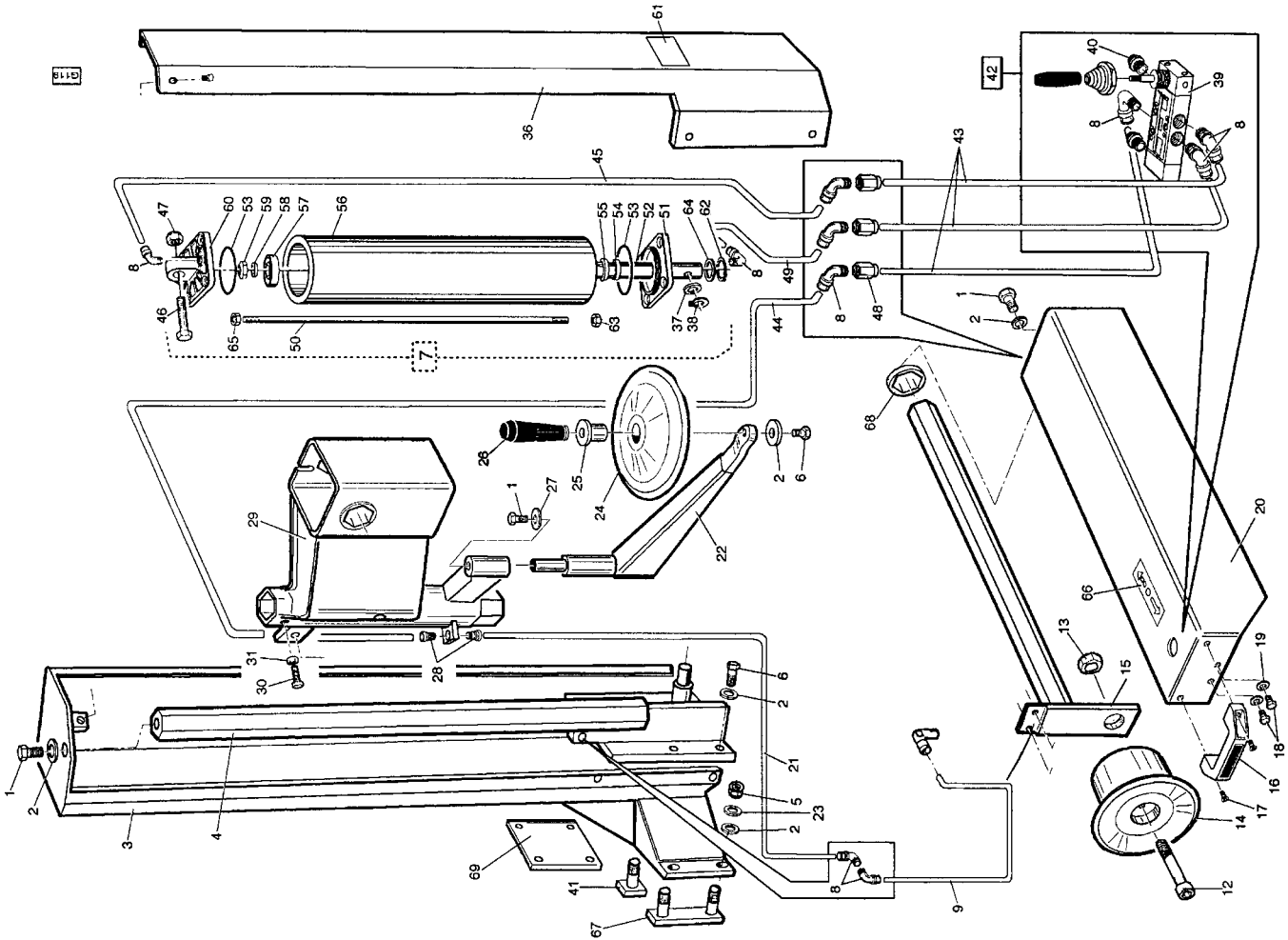


PANZITTA SALES & SERVICE
72 George Avenue
Wilkes-Barre, PA 18705
570-822-6720 800-822-6720
www.panzittasales.com

Ref	Part No.	Description	Ref	Part No.	Description
1	8109888	Decal 40 PSI Warning	40	4198285	Valve 5-Way
2	6208820	P.A.3 Cover	41	3002928	Spiral D.6x4 L=1200
3	4399120	Screw 10x20 10.9	42	4199610	Silencer 1/8"
4	3009088	Washer D. 10x45x4	43	2006996	Valve Unit
5	4198618	Union 6520 1/8" - 6	44	3000146	Hose Riisan D.6x4 L=750
6	4399998	Washer 6 (6,4x12x1,6)	45	3001630	Hose Riisan 6x4 L=960
7	4398723	Screw 6x12 - 8.8	46	4399786	Screw M10x30 - 8.8
8	3000599	Pin M12 L=50	47	4399969	Nut M10
9	4399865	Nut Self-Locking M12	48	3008860	Stud Bolt M8x1,25x437
10	2008857	Cylinder 24" Turntable	49	3002293	Flange
11	4198993	Quick Union 1/8" - 6	50	4298822	O-Ring D.68,26x3,53
12	6208981	P.A.3 Slide	51	4399934	Nut M12
13	3002311	Washer D.10x45x4	52	4398753	Washer D.12,5x30x3
14	4399966	Screw M10x20 - 8.8	53	4198856	Piston D.75
15	4398901	Screw 10x20	54	3008858	Cylinder Liner L=405
16	4399967	Nut M10	55	3199601	Scraper
17	4398107	Screw Te 16x180 - 8.8	56	4298823	Guide In Nylon
18	4399828	Washer 16 (17x30x3)	57	3008859	Cylinder Shaft D.20 L=458
19	4399963	Nut Self-Locking M16	58	3009513	Front Flange
20	6207542	Arm 1 P.A.2	62	3199599	Seeger Ring D.30
21	3004840	Decal Arrows	63	4397678	Nut Flanged M8
22	6607545	Arm Bead Breaking Disk L=425	64	4398146	Steel Shim 24x30x0,3
23	3000218	Hose Riisan 6x4 L=1200	65	3007864	Spacer 12x18x45
24	4399378	Washer D.10 (10,5x21x2)	66	4399398	Screw 12x85 - 8.8
25	3006886	Disk Bead Breaking	67	3009013	Limit Stop Screw Support
26	3006862	Disk Upper Pin	68	4399976	Nut M8
27	3010283	Handle With Pin M10x20	69	4397527	Screw 8x30 - 10.9
28	6208982	Arm 2 P.A.3	70	4399827	Screw M8x20 - 8.8
29	2108983	Arm 3 P.A.3	71	3009014	Spring Limit Stop
30	6208819	P.A.3 Base	72	4399976	Nut M8
31	2108818	Arm Vertical P.A.3	73	8183597	Decal - Tire Bleed Valve
32	3007781	Fixing Plate			
33	2108798	Arm 3 Slide			
34	3006904	Bead Pressing Tool 50x90x110			
35	4399863	Washer 8 (9x24x2)			
36	4399298	Screw M8x16 - 8.8			
37	6206888	Support			
38	6206887	P.A.2 Base Column			
39	4399228	Screw Te 10x25 - 8.8			

PANZITTA SALES & SERVICE
72 George Avenue
Wilkes-Barre, PA 18705
570-822-6720 800-822-6720
www.panzittasales.com

Right Helpers and Support

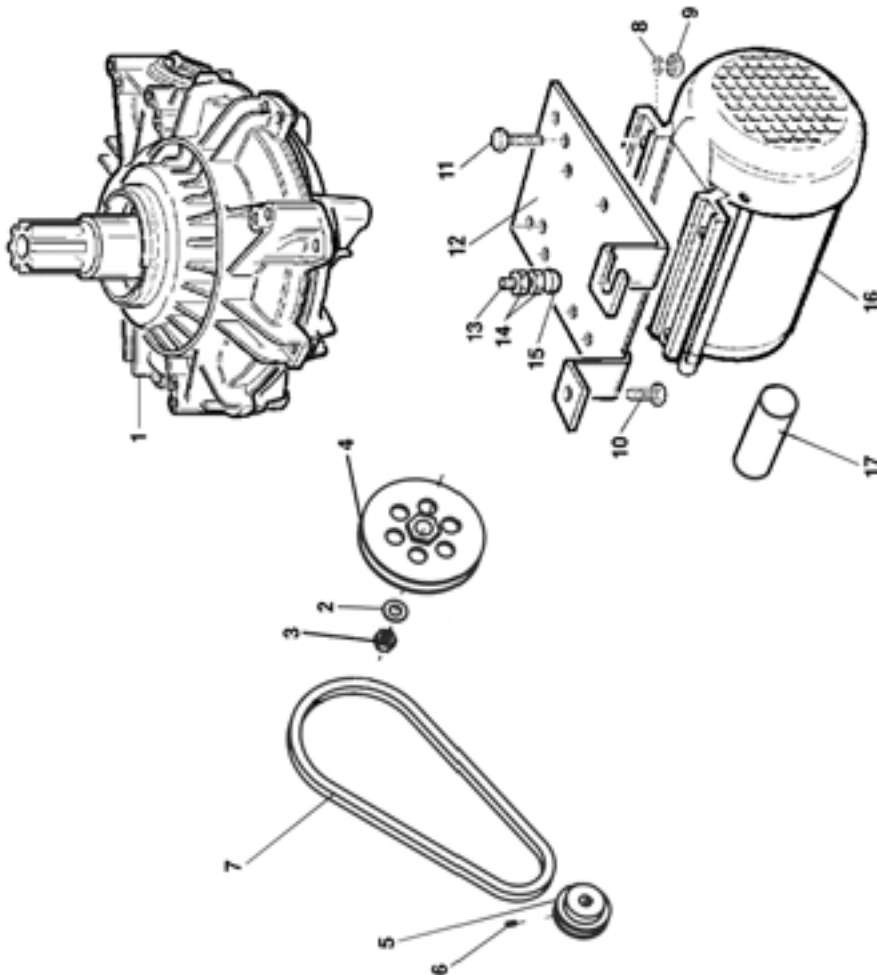


PANZITTA SALES & SERVICE
72 George Avenue
Wilkes-Barre, PA 18705
570-822-6720 800-822-6720
www.panzittasales.com

Ref	Part No.	Description	Ref	Part No.	Description
1	439966	Screw M10x20 - 8.8	40	4199610	Silencer 1/8"
2	4399378	Washer D.10 (10,5x21x2)	41	2108784	Screw Antirotation Help 3
3	6208816	Base Help 4	42	2006996	Valve Unit
4	2108815	Arm Vertical Help 4	43	3000143	Hose Riisan D.6x4 L=480
5	4399969	Nut M10	44	3000218	Hose Riisan 6x4 L=1200
6	4399786	Screw M10x30 - 8.8	45	3001630	Hose Riisan 6x4 L=960
7	2008332	Cylinder Unit Help 3	46	3000599	Pin M12 L=50
8	4198618	Union 6520 1/8" - 6	47	4399865	Nut Self-Locking M12
9	3002110	Hose Riisan D.6x4 L=580	48	4198904	Union 6463 1/8" - 6
12	4397454	Screw 20x90 - 8.8	49	3002709	Hose Riisan 6-4 L=1570
13	4399810	Nut M20	50	3008334	Stud Bolt 8x1,25x522
14	3008433	Bead Breaker Roller D.102 L=120	51	3009513	Front Flange
15	2107115	Arm Horizontal	52	3006649	Cylinder Shaft L=559
16	4297851	Handle	53	4298822	O-Ring D.68,26x3,53
17	4398672	Screw 6x16 - 10.9	54	4298823	Guide In Nylon
18	4398723	Screw 6x12 - 8.8	55	3199601	Scraper
19	4399998	Washer 6 (6,4x12x1,6)	56	3008333	Cylinder Liner Help 3 L=490
20	6206853	Cover Horizontal Arm	57	4198856	Piston D.75
21	3002928	Spiral D.6x4 L=1200	58	4398753	Washer D.12,5x30x3
22	6607546	Arm Bead Breaking Disk L=605	59	4399934	Nut M12
23	4398662	Washer Grower D.10	60	3002293	Flange
24	3006886	Disk Bead Breaking	61	8181232	Filter Lubricator Decal
25	3006862	Disk Upper Pin	62	3199599	Seeger Ring D.30
26	3010283	Handle With Pin M10x20	63	4397678	Nut Flanged M8
27	3002311	Washer D.10x45x4	64	4398146	Steel Shim 24x30x0,3
28	4198993	Quick Union 1/8" - 6	65	4399976	Nut M8
29	6207548	Slide Help 3	66	3004840	Decal Arrows
30	4398901	Screw 10x20	67	2108782	U-Bolt Help 3 Fastening
31	4399967	Nut M10	68	3002601	Shock Absorber Mounting Head
36	6208817	Cover Help 4	69	3009675	Fixing Plate Help 4
37	4399981	Washer 12 (13x24x2,5)			
38	4399864	Seeger Ring D.12			
39	4198285	Valve 5-Way			

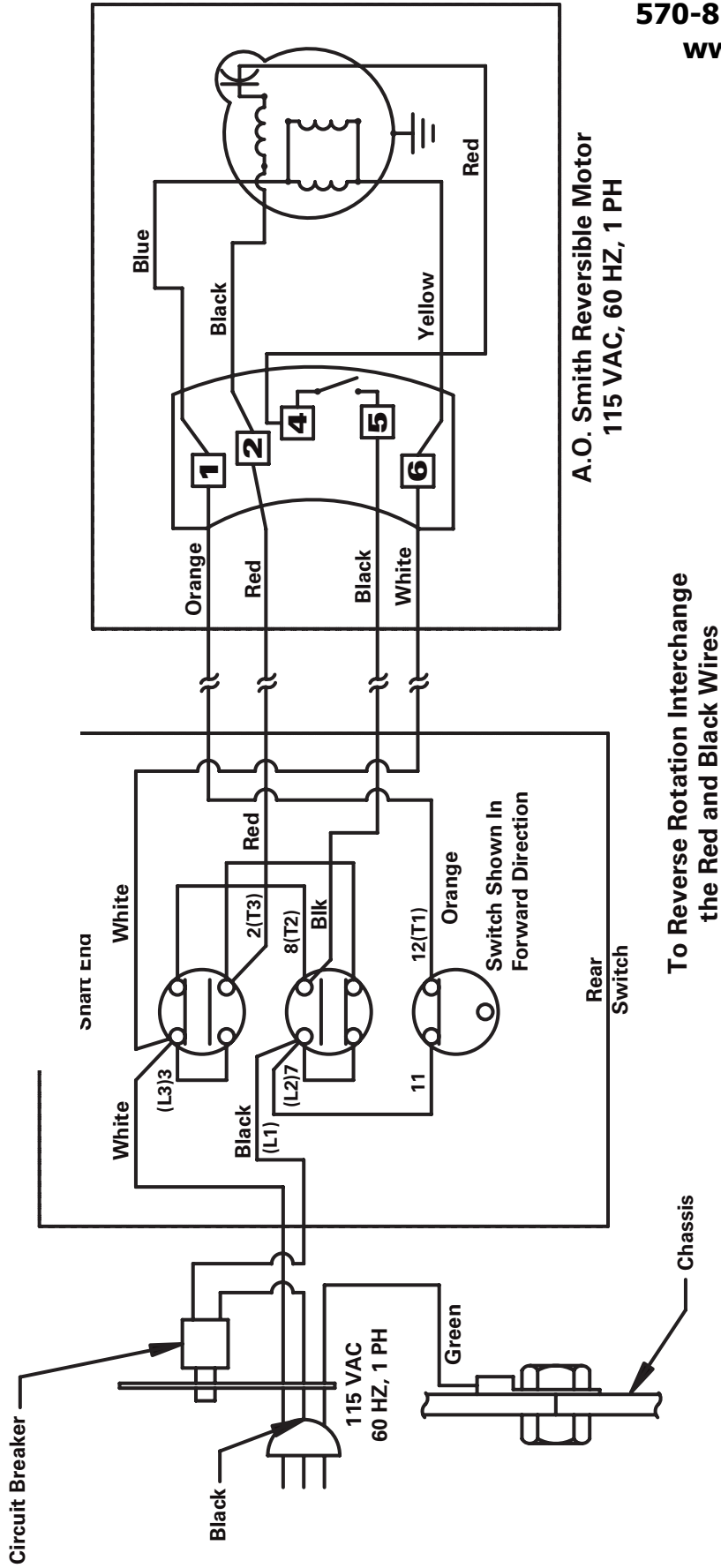
Motor and Transmission

Ref	No.	Description
1	4299925	Transmission
2	4398807	Washer 14 (15x28x2,5)
3	4396941	Nut M14
4	3010863	Pulley Gearbox
5	8181204	Pulley Motor
6	8180217	5/16-18 X 3/8" Shss Gr5
7	4299923	V-Belt A23
8	4399829	Washer 8 (8,4x16x1,5)
9	4399976	Nut M8
10	4399966	Screw M10x20 - 8.8
11	4399935	Screw Te M8x25 - 8.8
12	3010803	Motor Support
13	4399880	Screw M10x40 - 8.8
14	4399969	Nut M10
15	3000164	Belt-Stretcher Shoe
16	8184372	Motor 2 Hp 115v 1ph
17	8180638	Motor Capacitor Only



PANZITTA SALES & SERVICE
72 George Avenue
Wilkes-Barre, PA 18705
570-822-6720 800-822-6720
www.panzittasales.com

Wiring Diagram



PANZITTA SALES & SERVICE
 72 George Avenue
 Wilkes-Barre, PA 18705
 570-822-6720 800-822-6720
 www.panzittasales.com

Rim Clamp® Tire Changer

All-Air Unit Compressed Air Requirements

COATS® 9024E Rim Clamp® tire changers require a compressed air power source and 115V, 25AMP electrical supply. Refer to the table below for exact specifications.

Tire Changer Model	Compressor Size
9024E	5 HP

Oiler and Water Separator Maintenance

The oiler and water separator (on units so equipped) require weekly service. Oil and water levels (indicated on the level gauge on the side of each bowl) should be checked regularly

1. On units without automatic drain (manufactured before August 1996), drain the water from the separator by unscrewing the petcock on the bottom of the bowl. Allow water to drain and tighten petcock securely by hand.

2. Add oil to the oiler if the fluid level is greater than 1/4" from the top of the gauge. Remove the filler plug in the top of the oiler, and add SAE 10W non-detergent oil or an air tool oil to bring the level up to 1/4" from the top of the gauge. Replace the filler plug and clean up any spilled oil.

3. On units manufactured before August 1996, adjust the oil flow by pulling the red flow adjustment ring up and turning it to increase or decrease the flow. Push the ring down to lock. Watch the formation of oil drops in the see-through oil chamber. Continually cycle the bead loosener through full strokes and count the drops during the cycles. The delivery of oil to the air line should be about 1 drop per 10 cylinder cycles. Adjust the flow as required.

Note: An alternate adjustment method for the oil flow is to turn the knob fully clockwise to stop the flow, then turn it back counterclockwise 1/4 turn.

Transmission Lubrication

The transmission in this machine is a sealed unit packed with grease and should need no regular maintenance.

Air Gauge Check and Recalibration

1. Inflate a standard 15" passenger car tire/wheel assembly to 32 PSI. Use a high quality stick-type pressure gauge to verify the pressure. Attach the tire changer's inflation hose to the valve stem and check the pressure reading on the air gauge. If it does not read 32 PSI, recalibrate the gauge.

2. Remove the screw-on lens. Loosen the 2 screws on the face of the gauge. Loosen them just enough so that the gauge face moves. Do not remove the screws.

3. Rotate the gauge face until the 32 PSI mark is aligned with the gauge needle. Tighten the 2 screws and replace the lens.

Danger, Warning, Caution, and Instructional Decals

Always make the cleaning of these important decals a part of your regular maintenance routine. If they are damaged or illegible, replace them immediately. Your safety, and the safety of others is involved!

PANZITTA SALES & SERVICE
72 George Avenue
Wilkes-Barre, PA 18705
570-822-6720 800-822-6720
www.panzittasales.com