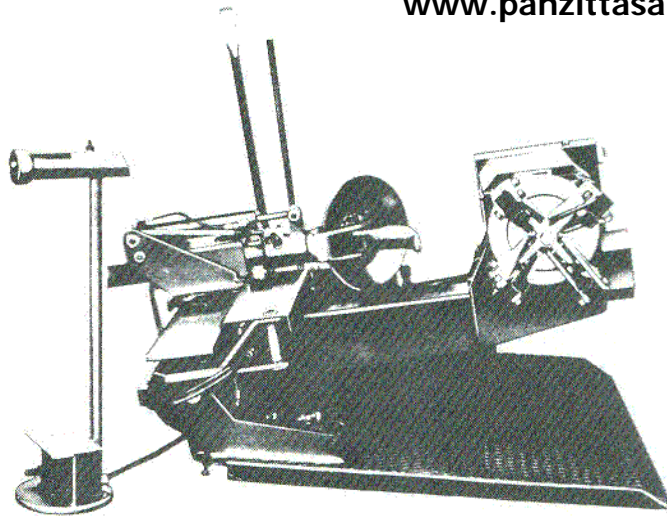


# **COATS**®

— PARTS LIST —

PANZITTA SALES & SERVICE  
72 George Avenue  
Wilkes-Barre, PA 18705  
570-822-6720 800-822-6720  
[www.panzittasales.com](http://www.panzittasales.com)



## **H.I.T. 7000**

### **THE HIGHWAY TRUCKER TRUCK TIRE CHANGER**

HIT 7000.max

# BASE PLATE

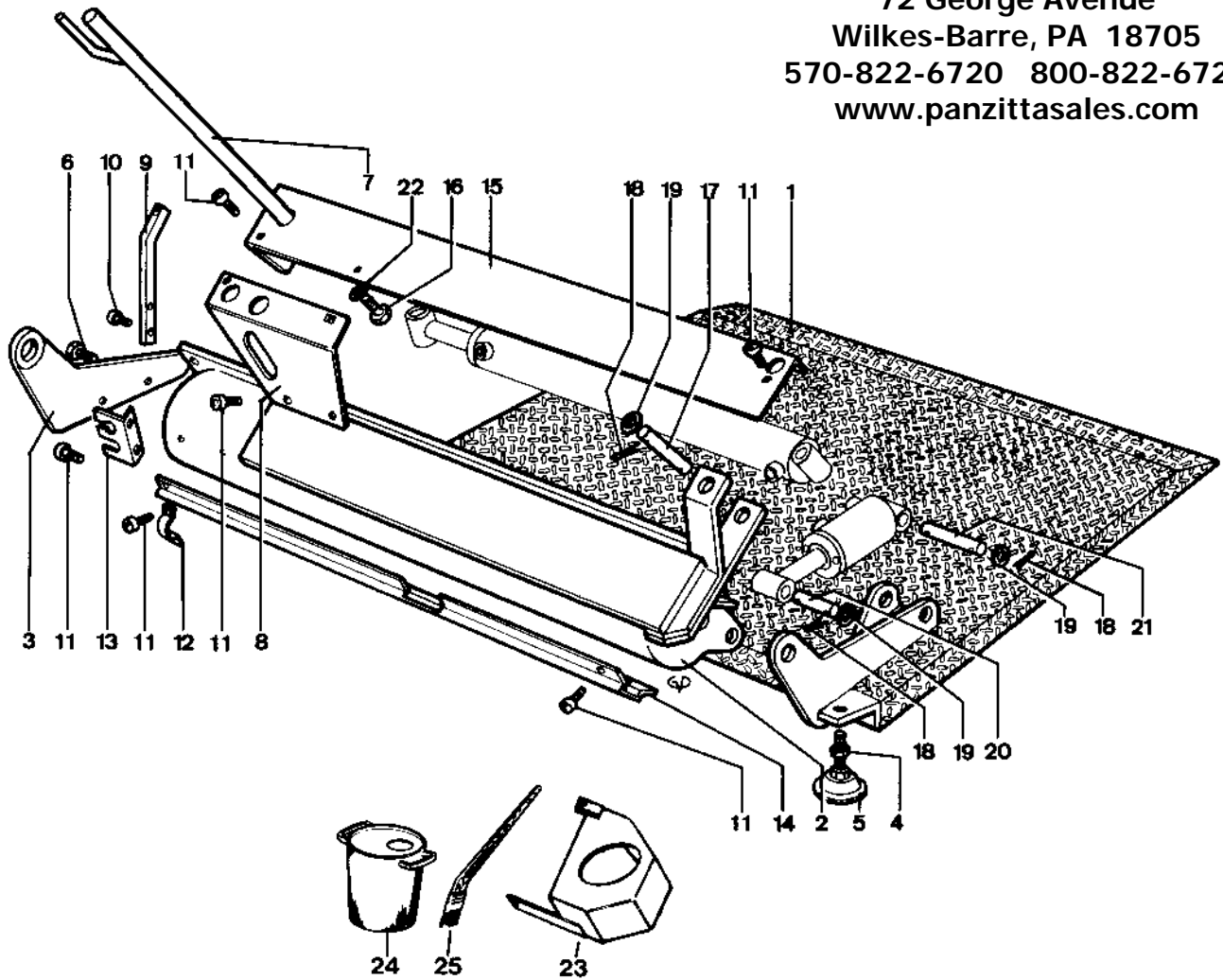
PANZITTA SALES & SERVICE

72 George Avenue

Wilkes-Barre, PA 18705

570-822-6720 800-822-6720

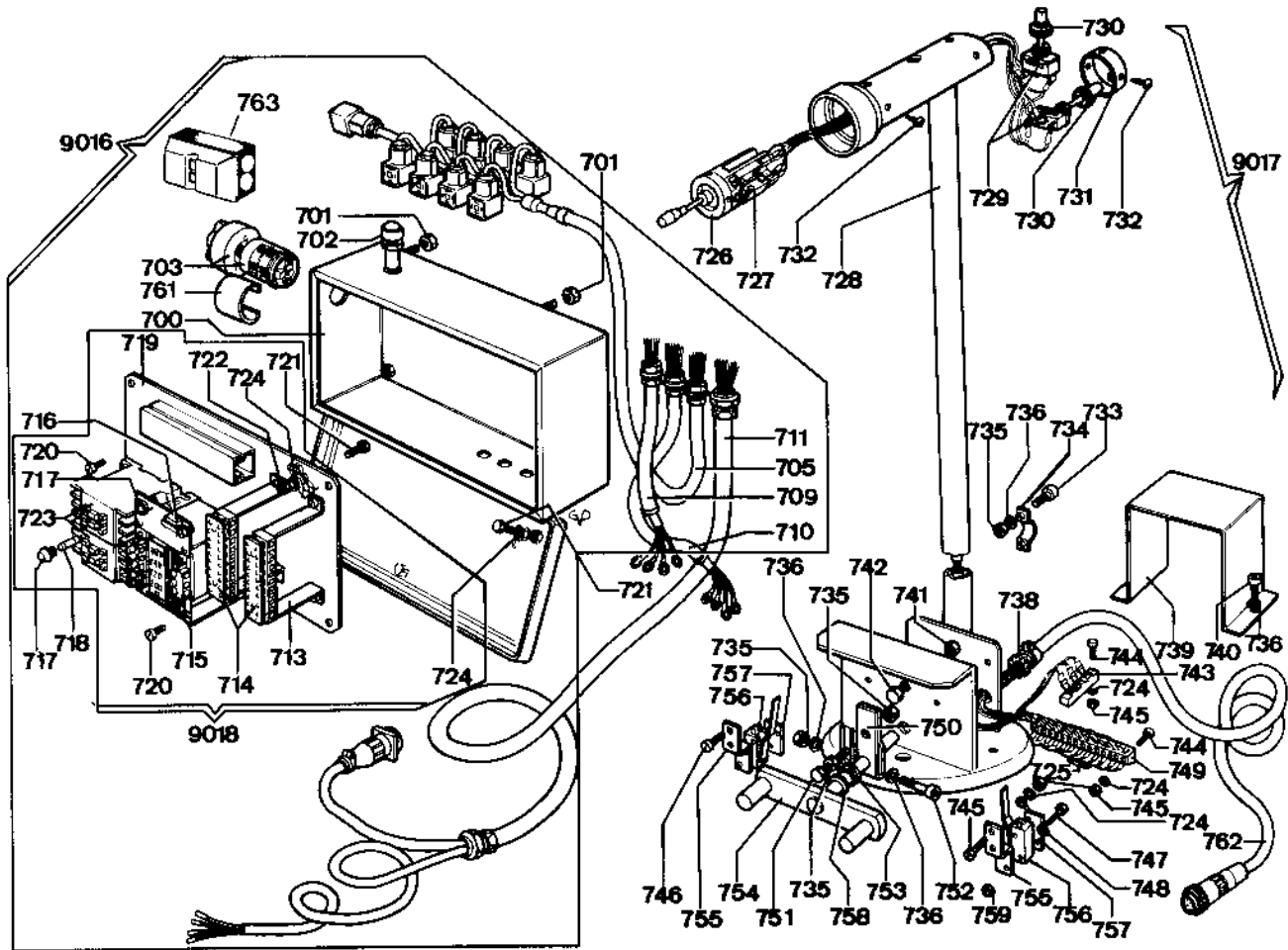
www.panzittasales.com



ITEM	PART NO.	QTY.	DESCRIPTION	ITEM	PART NO.	QTY.	DESCRIPTION
1	224382	1	Base Plate	15	324513	1	Chain Cover
2	224384	1	Chucking Arm Housing Support	16	600928	1	Hex Head Cap Screw (M 12 × 40)
3	324380	1	Right Base Plate Bracket	17	324517	1	Cylinder Pivot Pin
4	600793	1	Hex Nut (M 14)	18	600654	6	Cotter Pin (D. 4 × 40)
5	211993	1	Support Leg	19	601248	5	Flat Washer (D. 25 × 44)
6	600388	6	Hex Head Cap Screw (M 12 × 30)	20	324515	1	Cylinder Pivot Pin (Front) (D. 70)
7	219040	1	Stand Rod	21	324516	1	Cylinder Pivot Pin (Rear) (D. 70)
8	224521	1	Tool Holder and Nuts	22	600214	1	Flat Washer (D. 13 × 24)
9	324520	1	Rod Support	23	229675	1	Bucket Support
10	600322	2	Socket Head Cap Screw (M 8 × 30)	24	329661	1	Lube Bucket
11	600319	8	Socket Head Cap Screw (M 8 × 16)	25	429662	1	Lube Brush
12	324544	1	Clamp				
13	324598	1	Plug Bracket				
14	324597	1	Hose Cover				

PANZITTA SALES & SERVICE  
72 George Avenue  
Wilkes-Barre, PA 18705  
570-822-6720 800-822-6720  
www.panzittasales.com

## ELECTRIC SYSTEM & CONTROL ASSEMBLY



HIT 7000.max

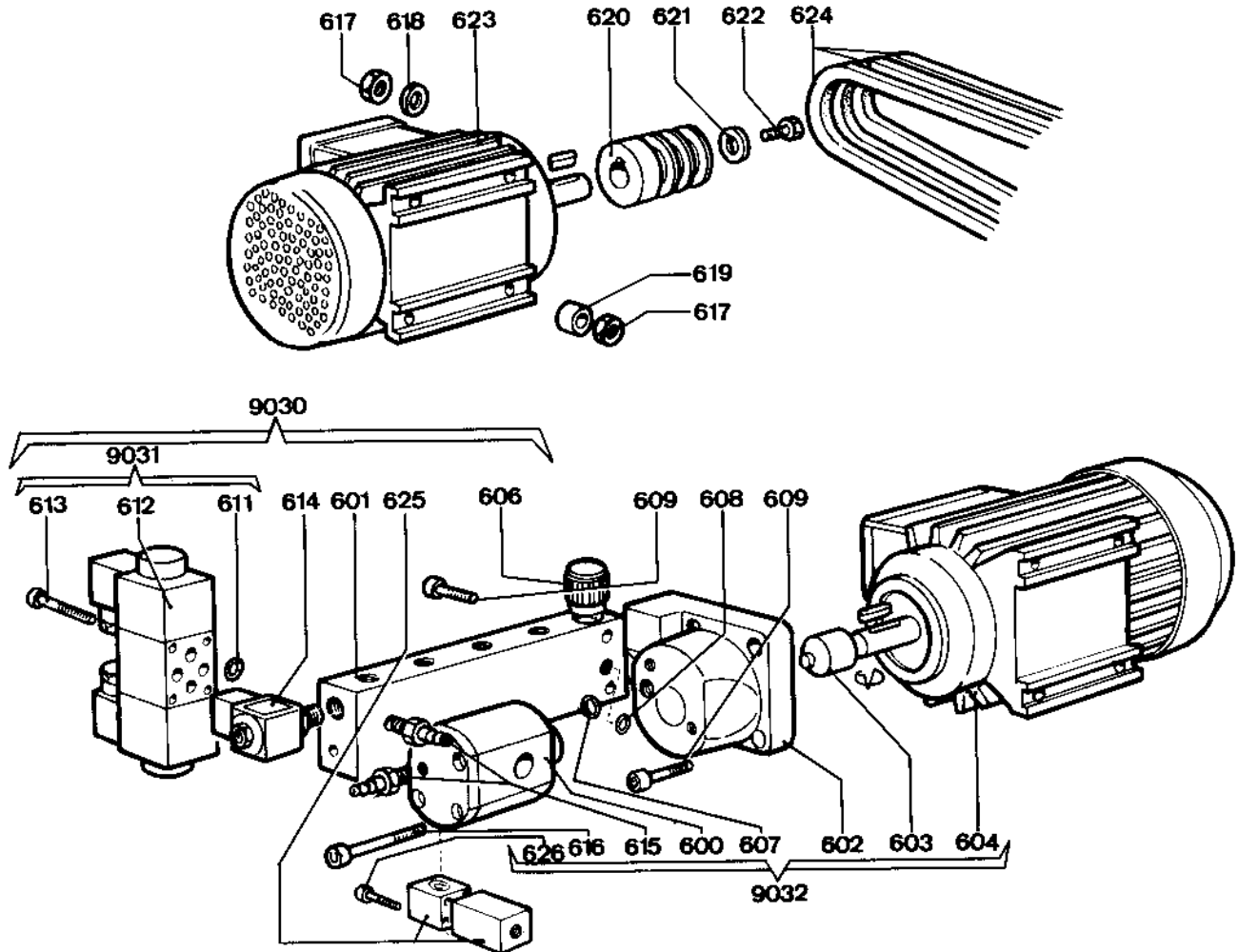
**PANZITTA SALES & SERVICE**  
**72 George Avenue**  
**Wilkes-Barre, PA 18705**  
**570-822-6720 800-822-6720**  
**www.panzittasales.com**

## ELECTRIC SYSTEM & CONTROL ASSEMBLY

ITEM	PART NO.	QTY.	DESCRIPTION	ITEM	PART NO.	QTY.	DESCRIPTION
9016	224635		<i>Electrical System</i> <i>220-380/3 Ph.</i>	733	600309	2	Socket Head Cap Screw (M 6 × 16)
700	324689	1	Enclosure	734	317440	1	Clamp
702	422040	1	Indicator Light	735	600111	5	Hex. Nut (M 6)
703	422055	1	Switch	736	600211	5	Flat Washer (D. 6, 4 × 12, 5)
705	224675	1	Solenoid Connect Cable	738	417640	1	Cable Strain Relief
709	224672	1	Drive Motor Connect Cable	739	317482	1	Pedal Cover
710	224673	1	Pump Motor Connect Cable	740	600715	2	Socket Head Cap Screw
711	224674	1	Control Cable	741	600156	2	Hex. Nut (M 8)
761	425574	1	Switch Cover	742	600320	1	Hex. Nut Cap Screw (M 8 × 20)
763	326069	1	Overload Switch	743	424791	1	Terminal Block
9018	224690		<i>Support Assembly</i> <i>220-380 3 Ph.</i>	744	600291	4	Socket Head Cap Screw (M 4 × 20)
713	322008	1	Terminal Block Bracket	745	600125	8	Hex. Nut (M 4)
714	422035	1	Terminal Block	746	600733	4	Socket Head Cap Screw (M 4 × 12)
715	225129	1	Transformer	747	600831	4	Socket Head Cap Screw (M 2, 6 × 20)
715	225130	1	Transformer Special	748	600195	4	Lock Washer
715	429162	1	Transformer	749	418032	1	Terminal Block
716	417771	1	Rectifier	750	317491	1	Switch Control Lever
717	413853	1	Fuse Holder	751	600909	1	Socket Head Cap Screw (M 6 × 35)
718	418075	1	3 Amps Fuse	752	600364	1	Hex. Head Cap Screw (M 6 × 30)
719	324691	1	Support Plate	753	401270	1	Switch Control Spring
720	600605	4	Socket Head Cap Screw (M 4 × 10)	754	217479	1	Pedal
721	601255	4	Ground Screw (M 4 × 16)	755	317476	2	Switch Bracket
722	601256	2	Hex. Nut (M 4)	756	407012	2	Microswitch
723	424961	2	Remote Control Switch 60 Hz.	757	311620	2	Microswitch Plate
724	600209	8	Flat Washer (D. 4, 3 × 9)	758	314163	1	Spacer
9017	224634		<i>Control Assembly</i> <i>Including:</i>	759	600781	4	Hex. Nut (M 2, 6)
725	414875	8	Diode	762	230029	1	Control Cable
726	218385	1	4-Way Switch Assembly	701	600112	4	Hex. Nut
727	419359	1	Microswitch				
728	224915	1	Remote Control Arm Housing				
729	424798	2	Toggle Switch				
730	423121	2	Cap				
731	324785	1	Switch Housing				
732	601041	4	Oval Head Sheet Metal Screw (D.3, 5 × 13)				

PANZITTA SALES & SERVICE  
72 George Avenue  
Wilkes-Barre, PA 18705  
570-822-6720 800-822-6720  
www.panzittasales.com

## HYDRAULIC SYSTEM ASSEMBLY & MOTORS



HIT 7000.max

**PANZITTA SALES & SERVICE**  
**72 George Avenue**  
**Wilkes-Barre, PA 18705**  
**570-822-6720 800-822-6720**  
**www.panzittasales.com**

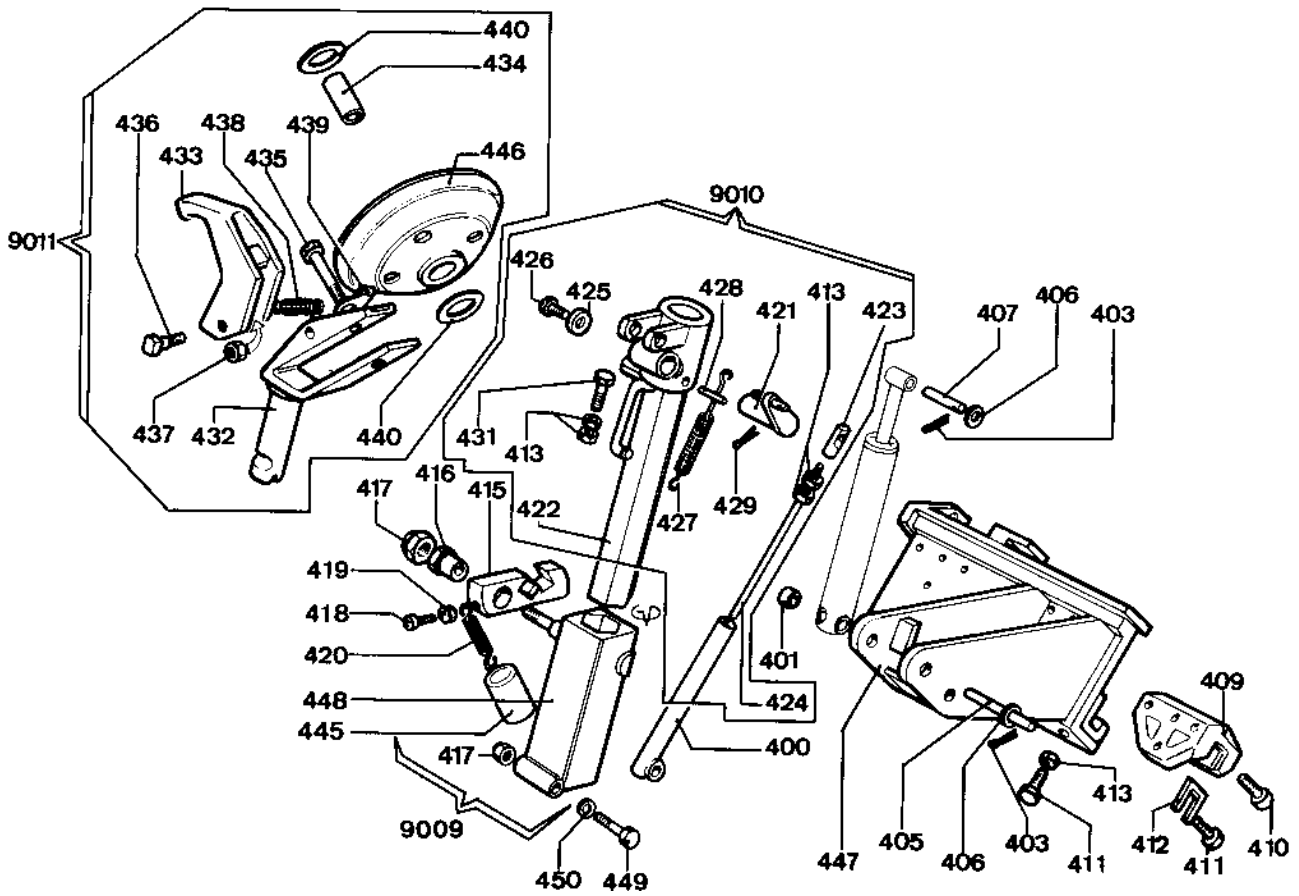
## HYDRAULIC SYSTEM ASSEMBLY & MOTORS

ITEM	PART NO.	QTY.	DESCRIPTION	ITEM	PART NO.	QTY.	DESCRIPTION
9030	227262		<i>Hose Connection Block Complete Including:</i>	604	425069	1	Pump Motor 220-380 3 Ph. 60 Hz.
9031	230054		Solenoid Valve	607	424618	1	Seal (D. 9, 13×2, 62)
601	224611	1	Hose Connection Body	615	425260	2	Hose Coupling
606	224615	1	Pressure Relief Valve	616	600952	4	Screw (M 8 × 90)
614	224614	1	Exhaust Valve	626	601148	4	Screw (M 8 × 60)
625	227409	1	Non-Return Valve	608	424617	1	Seal (9, 25 × 1, 78)
9031	230054		<i>Solenoid Valve Including:</i>	609	601148	2	Socket Head Cap Screw (M 8 × 60)
611	424620	4	Seal 8, 73 × 1, 78	617	600151	2	Hex. Nut (M 8)
612	430047	1	Double Solenoid Valve	618	600212	2	Flat Washer (D. 8, 4 × 17)
613	601249	4	Socket Head Cap Screw	619	324554	2	Spacer (8, 5 × 16 × 10)
9032	227264		Motor Assembly With Pump 220-380 3 Ph. 60 Hz.	620	317273	1	Pulley 50 Hz.
			220-380/3 50 Hz.	620	318053	1	Pulley 60 Hz.
600	224609	1	Hydraulic Pump	621	307671	1	Shim Washer
600	225139	1	Hydraulic Pump 60 Hz.	622	600373	1	Hex. Head Cap Screw (M 8 × 20)
602	324419	1	Pump Flange	623	425067	1	Drive Motor 220-380 3 Ph. 60 Hz.
603	424612	1	Coupling	624	417447	3	Belt

HIT 7000.max

PANZITTA SALES & SERVICE  
72 George Avenue  
Wilkes-Barre, PA 18705  
570-822-6720 800-822-6720  
www.panzittasales.com

## CARRIAGE WITH TOOLS



HIT 7000.max

**PANZITTA SALES & SERVICE**  
**72 George Avenue**  
**Wilkes-Barre, PA 18705**  
**570-822-6720 800-822-6720**  
**www.panzittasales.com**

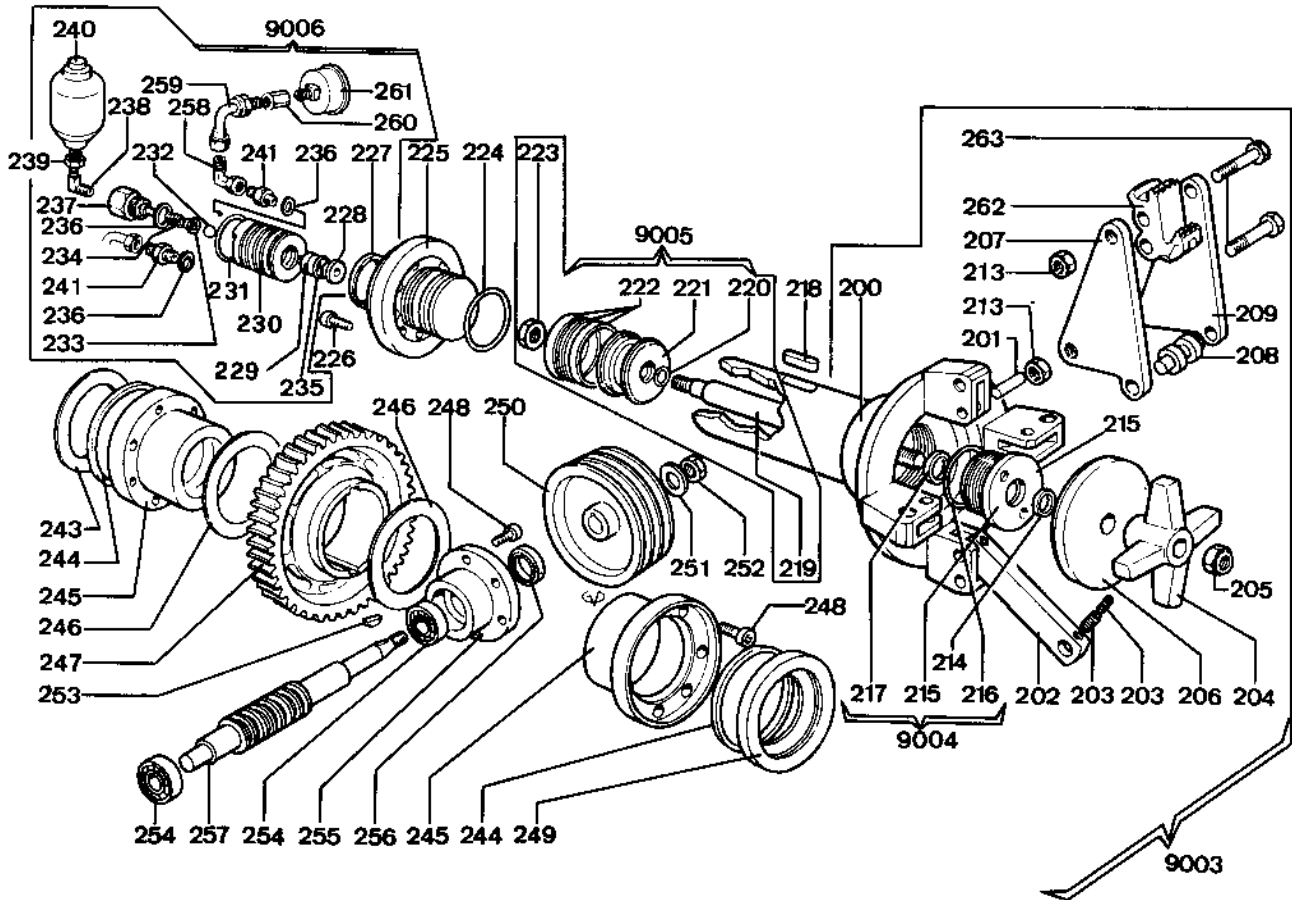
## CARRIAGE WITH TOOLS

ITEM	PART NO.	QTY.	DESCRIPTION	ITEM	PART NO.	QTY.	DESCRIPTION
400	224477	1	Push Rod Guide	9010	224578		<i>Tool Guide With Lock Including:</i>
401	324478	1	Spacer Ring				
403	600046	4	Cotter Pin (D. 3 × 25)	413	600157	4	Hex. Nut (M 10)
405	324518	1	Cylinder Rear Pivot Pin (D. 45)	421	224480	1	Tool Lock
406	601045	4	Flat Washer (D. 17 × 30)	422	224508	1	Tool Shaft
407	324514	1	Cylinder Front Pivot Pin (D. 45)	423	324485	1	Push Rod Head
409	424028	4	Shoe	424	324486	1	Push Rod
410	426392	12	Socket Head Cap Screw (M 10 × 55)	425	319593	1	Flat Washer
411	600380	8	Hex. Head Cap Screw (M 10 × 25)	426	600372	1	Hex Head Cap Screw
412	424512	8	Wiper	427	424582	1	Spring
415	224506	1	Lock Latch	428	601279	1	Dowel Pin (10 × 30)
416	321790	1	Bushing	429	600043	1	Cotter Pin (D. 2 × 15)
417	422677	2	Locknut (M 20)	431	601064	1	Hex. Head Cap Screw (M 10 × 60)
418	600312	1	Sock Head Cap Screw (M 6 × 25)	9011	224579		<i>Tools Including:</i>
419	600111	2	Hex. Nut (M 6)	432	224500	1	Tool Holder
420	415017	1	Spring (16 × 64 × 2)	433	224593	1	Mount-Demount Tool
445	325523	1	Spacer Ring	434	321536	1	Bushing
447	227318	1	Carriage	435	322250	1	Hex. Head Cap Screw (M 20 × 1, 5 × 96)
448	227277	1	Tool Support	436	322886	2	Flange Bolt
449	327325	1	Bolt (M 20)	437	601194	2	Hex. Nut (M 16 × 1, 5)
450	601038	1	Washer (D. 21 × 38)	438	421596	1	Spring (18 × 65 × 3, 5)
				439	321597	1	Spring Hook
				440	321598	2	Flat Washer (60 × 351)
				446	221594	1	Disc

HIT 7000.max

PANZITTA SALES & SERVICE  
72 George Avenue  
Wilkes-Barre, PA 18705  
570-822-6720 800-822-6720  
www.panzittasales.com

## CHUCK ASSEMBLY



HIT 7000.max

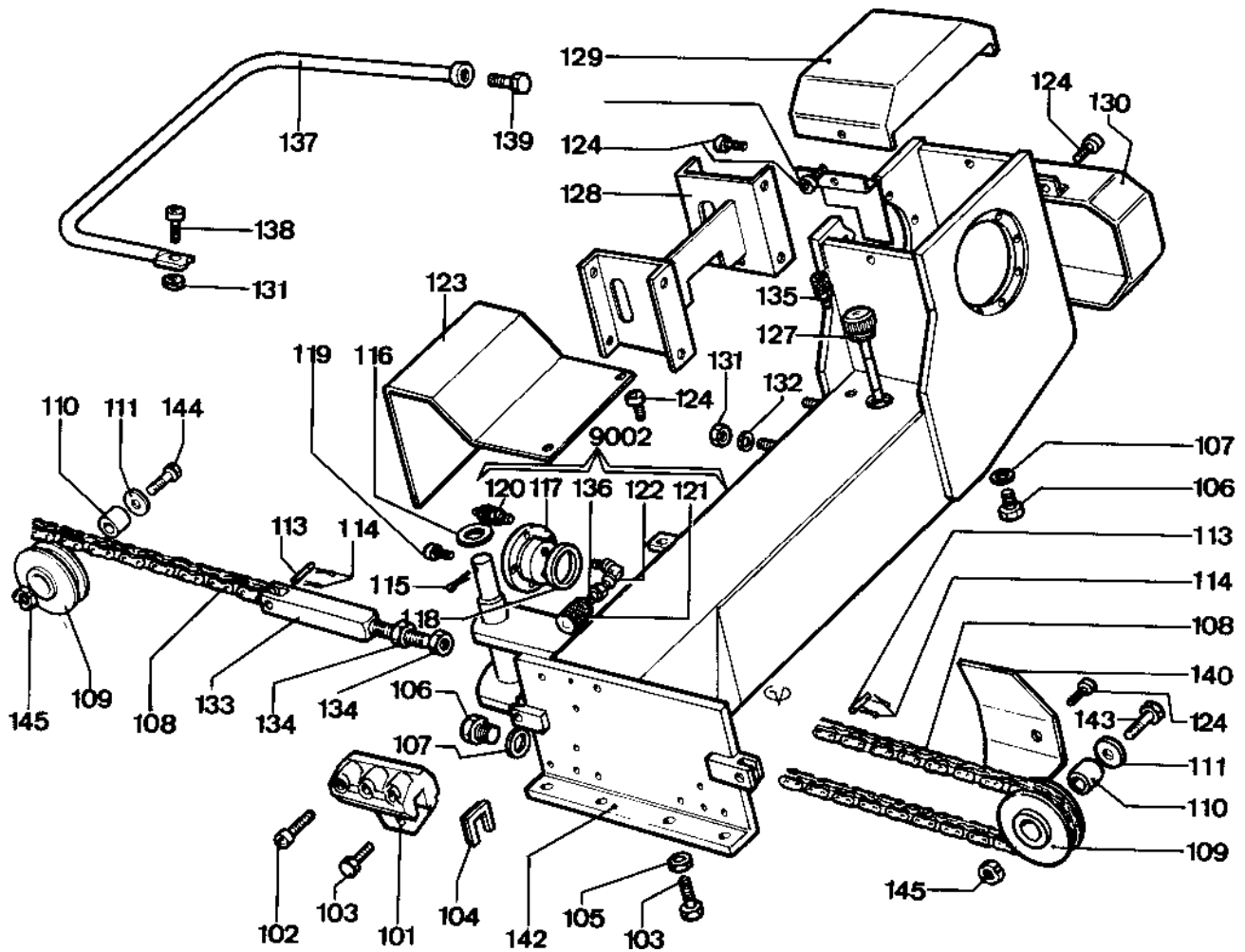
**PANZITTA SALES & SERVICE**  
**72 George Avenue**  
**Wilkes-Barre, PA 18705**  
**570-822-6720 800-822-6720**  
**www.panzittasales.com**

## CHUCK ASSEMBLY

ITEM	PART NO.	QTY.	DESCRIPTION	ITEM	PART NO.	QTY.	DESCRIPTION
9003	224540		<i>Chuck Assembly</i>	235	424363	1	Seal (23, 47 × 2, 62)
			<i>Including:</i>	236	417815	4	Alu Seal Washer
200	224171	1	Chuck Housing	237	324548	1	Plug
201	324263	8	Clevis Pin	238	424549	1	Fitting
202	324265	4	Connecting Bar	239	424551	1	Adapter
203	600801	16	Set Screw (M 6 × 6)	240	424550	1	Pressure Accumulator
207	324227	4	Right Chuck Plate	241	417627	3	Straight Fitting
208	324264	4	Splined Roller	258	414842	1	90° Fitting
209	324228	4	Left Chuck Plate	259	426473	1	90° Fitting
213	422696	8	Locknut (M 16)	260	326476	1	Female Nipple
262	428247	4	Chuck Jaw	261	426474	1	Pressure Gauge
263	601305	8	Screw (M 16 × 80)	204	324261	1	Chucking Cross
9004	224547		<i>Front Flange Assembly</i>	206	324262	1	Chuck Disc
			<i>(D. 90) Including:</i>	218	601162	1	Key (20 × 12 × 60)
214	424350	1	Ring (D. 30)	224	424345	1	Seal (82, 14 × 3, 53)
215	324184	1	Front Flange (D. 90)	225	324226	1	Rear Flange
216	424346	1	Seal 88, 5 × 3, 53	226	600323	6	Socket Head Cap Screw (M 8 × 35)
217	424355	1	Seal (D. 30 × 40 × 8)	243	324247	1	Flat Washer (D. 115, 2 × 168, 5 × 1, 5)
9005	224546		<i>Shaft with Piston (D. 90)</i>	244	424361	2	Seal (D. 117, 1 × 3, 53)
			<i>Including:</i>	245	324027	2	Front Rear Flange
219	324185	1	Cylinder Shaft (D. 90)	246	324249	2	Flat Washer (D. 115, 2 × 139 × 1, 5)
220	421590	1	O Ring (25, 48 × 20, 24 × 2, 62)	247	324025	1	Ring Gear
221	324183	1	Piston (D. 90)	248	601098	12	Socket Head Cap Screw (M 8 × 22)
222	424347	1	Piston Seal	249	324248	1	Spacer Ring
223	424974	1	Locknut (M 18 × 1, 5)	250	324147	1	Drive Pulley
9006	224545		<i>Pressure Distributor Assembly Including:</i>	251	600215	1	Flat Washer (15 × 28)
227	424362	3	Seal	252	600793	1	Hex. Nut (M 14)
228	324210	1	Plug	253	601243	1	Key (6 × 10)
229	324209	1	Plunger	254	601244	2	Tapered Roller Bearing
230	324244	1	Distributor	255	324260	1	Flange
231	424359	1	Seal (58, 62 × 2, 62)	256	424360	1	Seal (25 × 50 × 10)
232	601107	1	Steel Ball)	257	324156	1	Worm Gear
233	318838	1	Spring Guide	264	422677	1	Nut (M 20)
234	417806	1	Spring				

PANZITTA SALES & SERVICE  
72 George Avenue  
Wilkes-Barre, PA 18705  
570-822-6720 800-822-6720  
www.panzittasales.com

## CHUCK ARM HOUSING



HIT 7000.max

**PANZITTA SALES & SERVICE**  
**72 George Avenue**  
**Wilkes-Barre, PA 18705**  
**570-822-6720 800-822-6720**  
**www.panzittasales.com**

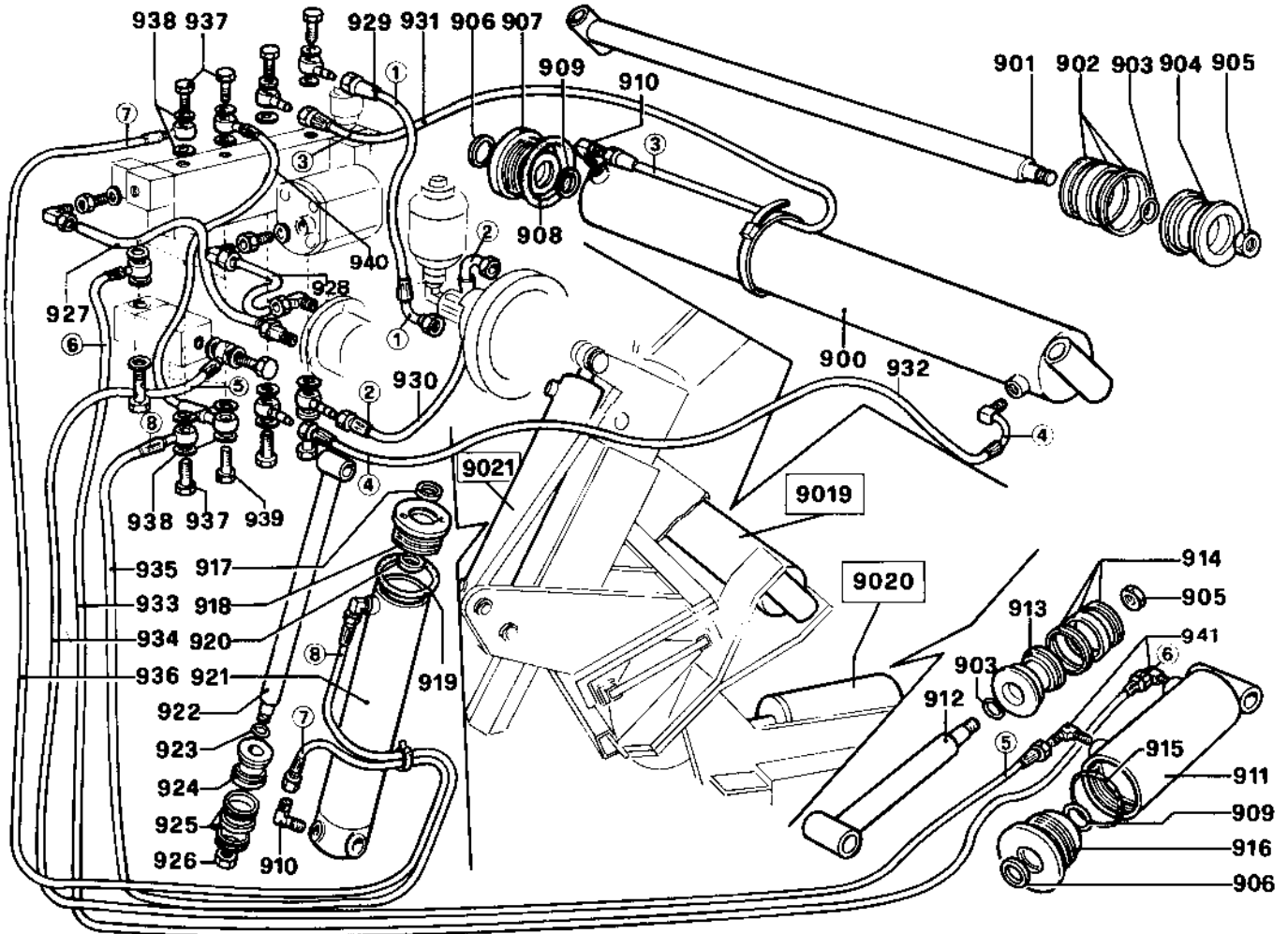
## CHUCK ARM HOUSING

ITEM	PART NO.	QTY.	DESCRIPTION	ITEM	PART NO.	QTY.	DESCRIPTION
101	424028	4	Shoe	130	224526	1	Belt Guard
102	426392	6	Socket Head Cap Screw (M 10 × 55)	131	600112	5	Hex Nut (M 16)
103	600380	9	Hex Head Cap Screw (M 10 × 25)	132	600212	6	Flat Washer (D. 8, 4 × 17)
104	424512	8	Wiper	133	324299	1	Tension Bar
105	600157	4	Hex Nut (M 10)	134	601246	2	Hex Nut (M 16)
106	319251	2	Oil Drain Plug	135	417408	1	Oil Fitting
107	417816	2	Alu Seal Washer	136	425511	1	3/8" Nipple
108	424600	2	Drive Chain	137	225142	1	Guard Tube
109	324259	2	Chain Pulley	138	600322	1	Socket Head Cap Screw (M 8 × 30)
110	324311	2	Chain Pulley Bushing	139	600379	1	Hex Head Cap Screw (M 10 × 20)
111	324599	2	Washer (D. 50 × 20, 5 × 5)	140	326507	1	Chain Guard
113	324479	4	Chain Pin	142	226837	1	Chucking Arm Housing
114	601044	8	Cotter Pin (D. 2,5 × 20)	143	327327	1	Hex Head Cap Screw (M 20 × 1, 5)
115	600654	1	Cotter Pin	144	326508	1	Hex Head Cap Screw
116	601248	1	Flat Washer (D. 25 × 44)	145	427265	2	Nut
118	424559	1	Seal (D. 61, 91 × 3, 53)	9002	224555		<i>Tank Flange Assembly Including:</i>
119	600309	4	Socket Head Cap Screw (M 6 × 16)	117	324489	1	Tank Flange
123	324524	1	Solenoid Valve Cover	120	425261	2	Hose Coupling
124	600319	11	Socket Head Cap Screw (M 8 × 16)	121	432557	1	Filter
127	424560	1	Dipstick	122	424558	2	90° Hose Fitting
128	224536	1	Electrical Support Bracket				
129	224595	1	Cover				

HIT 7000.max

PANZITTA SALES & SERVICE  
72 George Avenue  
Wilkes-Barre, PA 18705  
570-822-6720 800-822-6720  
www.panzittasales.com

## CONNECTING CORDS & CYLINDERS



HIT 7000.max

**PANZITTA SALES & SERVICE**  
**72 George Avenue**  
**Wilkes-Barre, PA 18705**  
**570-822-6720 800-822-6720**  
**www.panzittasales.com**

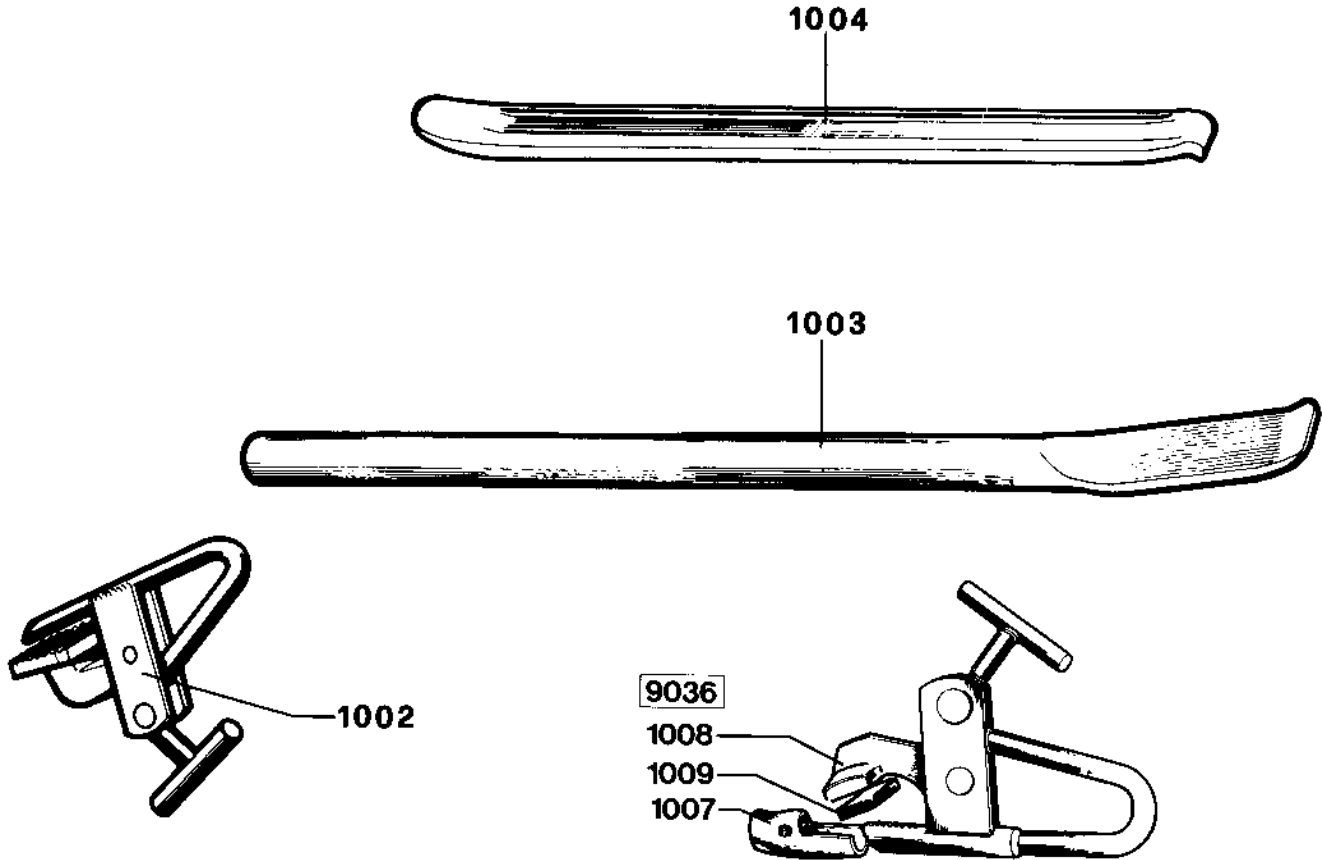
## CONNECTING CORDS & CYLINDERS

ITEM	PART NO.	QTY.	DESCRIPTION	ITEM	PART NO.	QTY.	DESCRIPTION
9019	227215		<i>Cylinder (D. 80)</i> <i>Including:</i>	9021	224576		<i>Cylinder (D. 45)</i> <i>Including:</i>
900	224284	1	Cylinder Casing (D. 80)	910	424549		90° Fitting
901	226834	1	Cylinder Shaft (D. 80)	917	424349		Wiper Ring
902	424344	1	Gasket	918	324294		Front Flange (D. 45)
903	421590	1	Packing (25.48 × 20.24 × 2.62)	919	424351		Seal (D. 45.69 × 2.62)
904	324285	1	Piston (D. 80)	920	424348		Cylinder Shaft Gasket
905	424974	1	Lock Nut (M 18 × 1.5)	921	224288		Cylinder Casing (D. 45)
906	424350	1	Wiper Ring	922	224297		Cylinder Shaft (D. 45)
907	324280	1	Front Flange (D. 80)	923	421517		Packing 13.95 × 19.19 × 2.62
908	424356	1	Seal (D. 78, 97 × 3, 53)	924	324293		Piston (D. 45)
909	424355	1	Cylinder Shaft Gasket	925	424353		Gasket
910	424549	2	90° Fitting	926	422255		Lock Nut (M 12)
9020	421590		<i>Cylinder Including:</i>	927	325258		Hose (D. 10 × 16)
903	421590	1	Seal (D. 25.48 × 20.24 × 2.62)	928	325259		Hose (D. 10 × 16)
905	424974	1	Nut (M 18 × 1.5)	929	424642		Upper Hose (D. 90)
906	424350	1	Seal (D. 30)	930	424643		Lower Hose (D. 90)
909	424355	1	Seal (D. 30 × 40 × 8)	931	424644		Upper Hose (D. 80)
910	424549	2	90° Fitting	932	424645		Lower Hose (D. 80)
911	224333		Cylinder Casing (D. 70)	933	424646		Upper Hose (D. 70)
912	224325		Cylinder Shaft (D. 70)	934	424647		Lower Hose (D. 70)
913	324318	1	Piston (D. 70)	935	424648		Upper Hose (D. 45)
914	424358	1	Gasket	936	424649		Lower Hose (D. 45)
915	424354	1	Seal (D. 69.4 × 3.53)	937	424650		Socket Screw
916	324320	1	Front Flange (D. 70)	938	417815		Seal Washer
941	226606	1	90° Coupling	939	326631		Double Screw
				940	427410		Valve Hose
				9000	225546		Connecting Cords

HIT 7000.max

PANZITTA SALES & SERVICE  
 72 George Avenue  
 Wilkes-Barre, PA 18705  
 570-822-6720 800-822-6720  
 www.panzittasales.com

## ACCESSORIES



ITEM	PART NO.	QTY.	DESCRIPTION
1002	219244	1	Rim Clamp
1003	217615	1	Large Tire Iron
1004	317620	1	Small Tire Iron
9036	227195		<i>Mag Rim Pliers (Optional) Including:</i>
1007	227201	1	Lower Sleeve
1008	228741	1	Pliers
1009	427199	1	Upper Block

HIT 7000.max