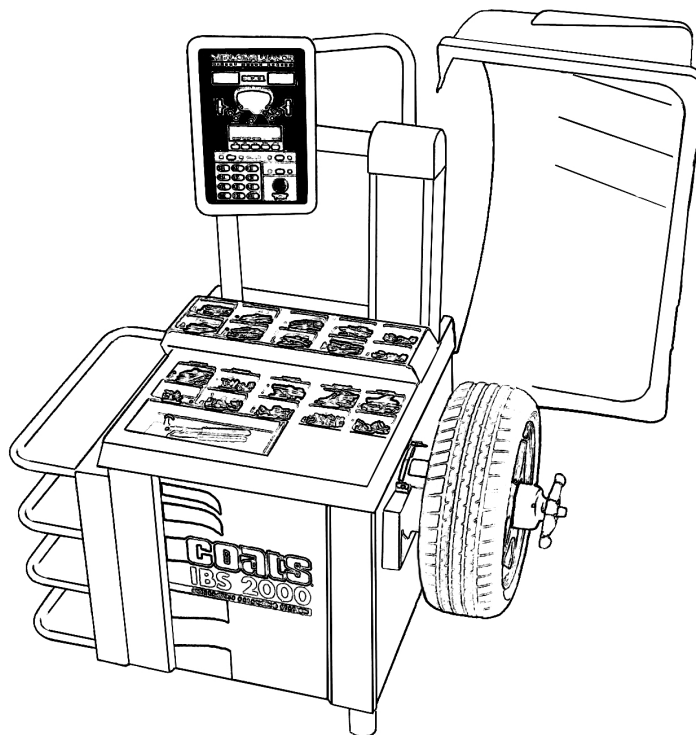


COATS®

IBS 2000

Interactive Balancing System



Parts Identification

READ these instructions before placing unit in service KEEP these and other materials delivered with the unit in a binder near the machine for ease of reference by supervisors and operators.

HENNESSY INDUSTRIES, INC.

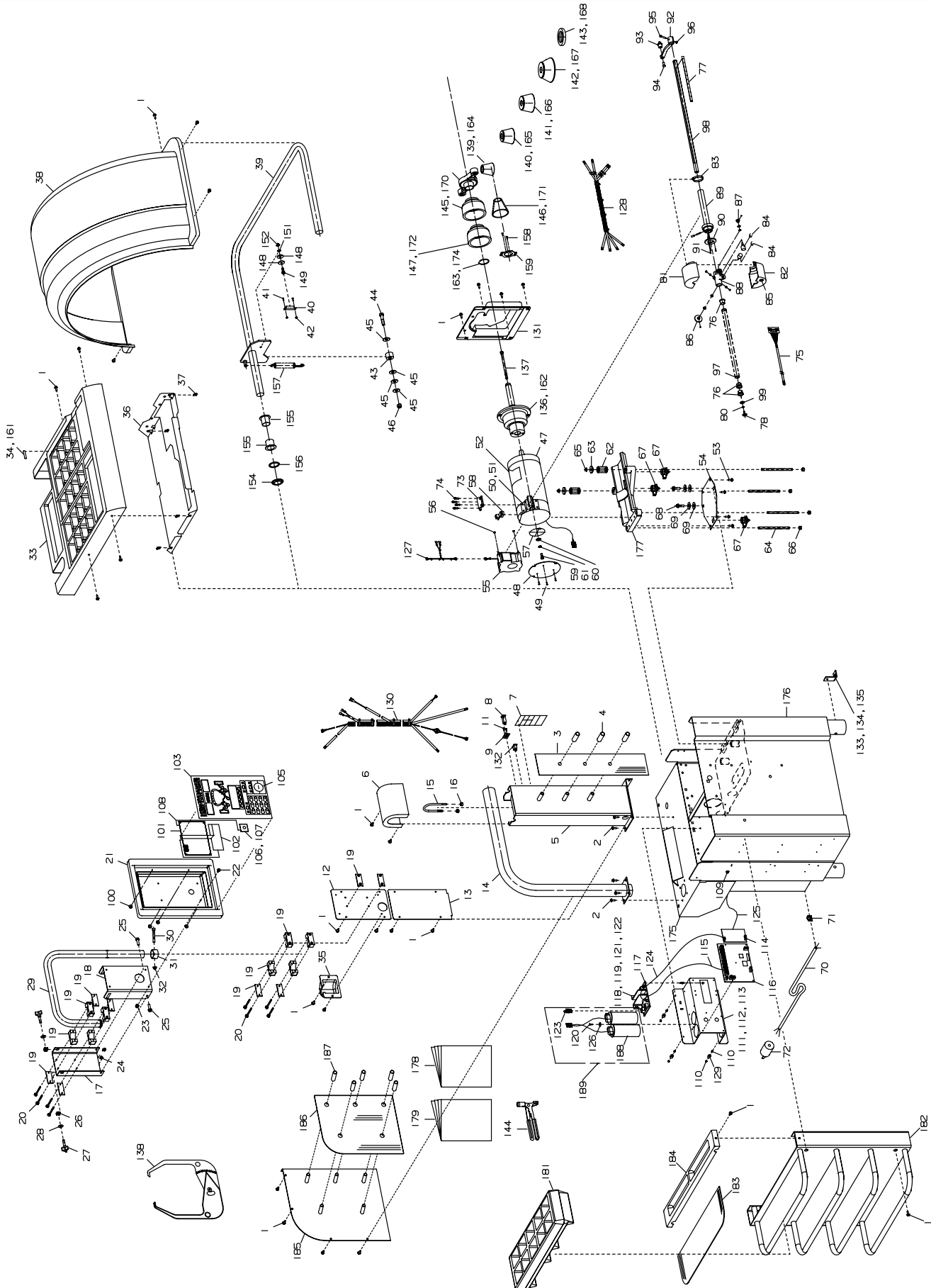
1601 J. P. Hennessy Drive, LaVergne, TN USA 37086-3565 615/641-7533 800/688-6359

HENNESSY INDUSTRIES INC. Manufacturer of AMMCO®, COATS® and BADA® Automotive Service Equipment and Tools.

Manual Part No.: 8113143 00

Revision: 04/01

Direct Drive



ITEM	PART NO.	DESCRIPTION	ITEM	PART NO.	DESCRIPTION	ITEM	PART NO.	DESCRIPTION	ITEM	PART NO.	DESCRIPTION
1	8106301	1/4-20 St-Hhcs	50	8112329	Distance Gauge Mount	99	8111032	Washer, Fender 1/4 Bx-1050	148	8109947	Magnet, Hood Stop
2	8108852	3/8-16 St-Hhcs	51	8112054	Screw, 1/4-28 X 5/8" Lg Shcs	100	8111055	#6 Lock Nut	149	8111447	5/16-18 Nylon Bolt
3	8112122	Rubber Protector, Cone Storage	52	8112332	Label, Top Dead Center	101	8112079	Display PCB	151	8109950	3/8 Washer, Flat Nylon
4	8112060	Sleeve, Accessory Peg	53	8106302	3/8-16 Hhcs	102	8112220	Lcd Display	152	8106303	3/8-16 Wh Nut
5	8112128	Painted Column	54	8112182	Flex Plate	103	8112225	Touch Panel Sub Assembly	154	8109945	Retainer, Hood Tube
6	8112154	Cover, Column	55	8112153	Fan Assembly, 230 Vac	105	8308017	Rubber Plunger, Black	155	8307014	Bearing, Flanged
7	8112185	Caution/Patent Decal	56	8301084	#8 Kep Nut	106	8301063	#6-32 Phms	156	8109944	Hood Washer
8	8111059	Circuit Breaker, 1 Amp	57	8308817	Disk, Encoder	107	8112219	Manual Start PCB Assembly	157	8112048	Spring, Hood
9	8112194	Assembly, Circuit Breaker Mounting Plate	58	8112215	Assembly, Optical Encoder	108	8112248	Cable Assy	158	28590	#10-24 X 1/2" Lg Phms, Phillips
11	8111542	#8-32 X 5/8 Lg Phms Bx	59	8301016	Bolt, 3/8 X 3/8 Shoulder	109	8110560	Ground Screw (Green)	159	8112110	Bracket, Captive Back Cone
12	8112019	Upper Column Cover	60	8301032	3/8 Washer, Flat	110	8112317	#10-32 Kep Nut	161	8112142	Gram Decal Sheet
13	8112159	Lower Column Cover	61	8104200	3/8 Washer, Internal Lock	111	8112237	Bracket - Assy Power Panel	162	8112097	Face Plate/Stub Shaft 40mm ID
14	8112187	Assembly, 2.5" Tube	62	8307008	Spring, Piezo	112	8112208	Plastic Standoff	163	8110514	Retainer, Pressure Cup 1,125
15	8110789	U Bolt 2.5" Tube	63	8308036	Retainer, Piezo	113	8301084	Kep Nuts #8-32	164	8112098	Cone, Small 40 mm Id
16	8181183	5/16-18 Lock Nut	64	8108727	Rod, Threaded Piezo	114	8112081	Power Supply	165	8112099	Cone, Medium 40 mm ID
17	8112027	Bracket, Pod Mounting	65	8301033	Nut, 3/8 Jam	115	81122001	Cable Assy	166	8112100	Cone, Large 40 mm Id
18	8112028	Bracket, Pod Adjustment	66	8106303	Nut, 3/8-16 Whiz Lock	116	8112082	Main Cpu Board	167	8112101	Adapter, Large 40 mm ID
19	8112029	Clamp, Pod Tube	67	8112203	Piezo Assembly	117	8112083	112083 Motor Controller	168	8112102	Ring, No Mar 40 mm ID
20	8112179	1/4-20 X 3" Lg Hhcs	68	8120325	5/16-18 Whhcs	118	8112223	Heat Sink	169		
21	8112030	Pod, Plastic	69	8301121	1/2 Washer, Flat	119	8301063	#6-32 Phms	170	8112103	Nut, Hub 40 mm ID
22	8143168	1/4-20 Wh Screw	70	8112318	Cord, Power	120	8301092	#8-32 X 1/2" Lg Phms	171	8112107	Spring, Back Cone 40 mm ID
23	8143169	1/4-20 Wh Nut	71	8150128	Relief, Power Cord Strain	121	8301066	6-32 Nut	172	8112106	Pressure Cup 40 mm Id
24	8301035	3/8-16 Hh Lock Nut	72	8140786	Plug, Electrical 230v 3" Only	122	3420	#6 Washer	174	8112114	Retainer, Pressure Cup
25	8106302	3/8-16 Wl Hhcs	73	8305075	A/D Arm Clamp	123	8112224	Wiring - Jumper for 3 Phase Control	175	8112132	Painted Weight Tray Support
26	8143044	3/8-16 Hh Tinnerman Nut	74	8112054	112054 1/4-28 X 5/8 Lg Shcs	124	8112207	Wiring Assy RS, To Motor	176	8112001	Chassis, Painted
27	8110817	Knob, 3/8-16 Thrd	75	8112205	112205 Cable, Modular A&D Arm	125	8112319	Wire Assembly, Ground	177	8110430	Motor Cradle/Dampner - Assembly
28	8301032	3/8 Flat Washer	76	8112058	Bushing	126	8112236	Capacitor Washer	178	8111537	Coats Accessory Catalog
29	8112032	1.5" Dia Pod Tube	77	8112148	Scale, Distance Gauge	127	8112240	Wire Assy - Fan	179	8112095	Owners Manual
30	8112176	3/8-16 X 2 1/2" Lg Shcs	78	8106301	1/4-20 St-Hhcs	128	8112209	Wiring Harness, Chassis	181	8112268	Sliding Weight Tray
31	8112175	Tube, Pod Locator	80	8301142	1/4 Lock Washer	129	8112084	Vibration Isolators	182	8112260	Accessory Side Tray
32	8106303	3/8-16 Wh Nut	81	8112118	Housing, Left A/D Arm	130	8112206	Wiring Harness, Pod	183	8112190	Rubber Shelf Pad
33	8112034	Plastic Weight Tray	82	8112115	Housing, Right A/D Arm	131	8112161	Motor Cover /Shield	184	8112255	Plastic Cover, Side Tray
34	8112036	Labels, Weight Tray	83	8112120	Clamp, Large	132	8305802	Switch, On/Off	185	8112196	Panel Assembly, Pod Tube Backing
35	8112178	Cover, Rear Harness	84	8112059	Assembly, Potentiometer	133	8112091	Machine, Hold Down	186	8112189	Pad - Panel Pod Tube Backing
36	8112038	Shield, Weight Tray	85	8112249	Strain Relief, Modular Cable	134	8109950	3/8 Washer, Flat Nylon	187	8112199	Sleeve, Accessory Peg
37	8106304	1/4-20 Tinnerman Clip	86	8112062	Gear, "A"	135	8112152	3/8-16 X 1 1/4 Lg Whcs	188	8112356	Capacitor, Assembly 230v, 1" Only
38	8112040	Wheel Guard, Plastic	87	8112061	Gear, "D" Small	136	8112129	Assembly, Face Plate/Stub Shaft 1.125 Id	189	8112352	Capacitor Kit
39	8112041	Weldment, Hoodbar	88	8112056	Sub-Assembly, A&D Body	137	8112121	3/8-16 X 6" Lg Shcs	190	8112120	Large Clamp
40	8305050	Switch, Reed	89	8112067	Sub-Assembly, A/D Arm Sleeve	138	8309011	Wheel Calipers	**	8112414	Magnet
40a	8111820	Interlock Switch	90	8112071	Gear, Large "D"	139	8112167	Cone, Small 1.125 Id	**	8112415	Magnet Spacer
41	8301063	#6-32 Phms	92	8112074	Handle, A/D Arm	140	8112168	Cone, Medium 1.125 Id	**	8112373	Switch Cover
42	8301066	#6 Kep Nut	93	8112139	Trip, Distance Gauge	141	8112169	Cone, Large 1.125 Id			
43	8309008	Stop, Molded Hood	94	8112140	5/16-18 X 7/8" Lg Hhcs	142	8112170	Adapter, Large 1.125 Id			
44	8301120	1/2-13 X 2.5" Lg Hhcs	95	8112141	1/4 - 20 X 1 1/2" Lg Bhms	143	8308105	Ring, No Mar 1.125 Id			
45	8301121	1/2 Washer	96	8181369	1/4-20 Nylon Insert Locknut	144	8111515	Tool, Wheel Weight			
46	8301122	1/2-13 Lock Nut	97	8112075	Spring, A/D Arm	145	8110543	Nut, Hub 1.125 Id			
47	8112233	Motor Assy Wired	98	8112077	Machined Complete, A/D Arm Rod	146	8308820	Spring, Back Cone 1.125 Id			
48	8308513	Cover, Rear End Bell				147	8110542	Pressure Cup 1.125 Id			
49	8112191	#10-24 X 1/2" Lg Hhms									

Note: ** Used on models with interlock switch produced as of 1/98.

