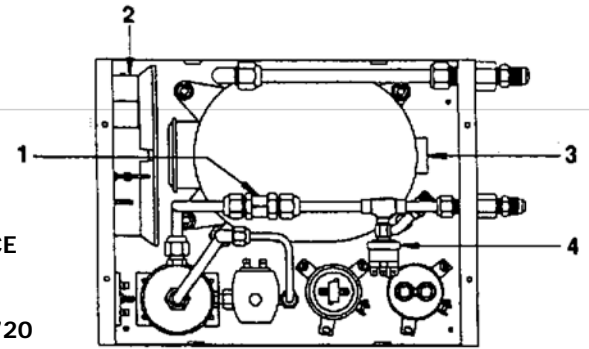


# 17660 and 17660A Series Refrigerant Recovery Stations

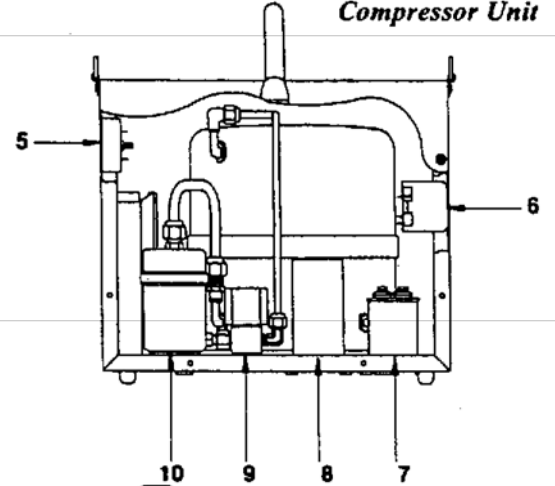
## International Model 17661

| Illus. # | Part #  | Description                           |
|----------|---------|---------------------------------------|
| 1,19     | RA19132 | 3/8" Check Valve                      |
| 2        | RA17416 | Fan (6 3/4") (115V)                   |
| 2        | RA17516 | Fan (6 3/4") (220V)                   |
| 3        | RA19112 | Compressor                            |
| 4        | RA19104 | High Pressure Switch                  |
| 5        | RA19113 | Oil Return Timer                      |
| 6        | RA19183 | Compressor Relay                      |
| 7        | RA19177 | Run Capacitor                         |
| 8        | RA19176 | Start Capacitor                       |
| 9        | RA17522 | Equalization Solenoid (115V)          |
| 9        | RA17578 | Equalization Solenoid (220V)          |
| 10       | RA19043 | Compressor Oil Separator              |
| 11       | RA19105 | Inlet Flow Control                    |
| 12       | RA19174 | Evaporator/Condenser                  |
| 13       | RA19011 | Fan (10") (115V)                      |
| 13       | RA19095 | Fan (10") (220V)                      |
| 14       | RA19133 | Float Relay (115V)                    |
| 14       | RA19134 | Float Relay (220V)                    |
| 15,16    | RA17459 | Liquid, Vapor/ System Relay           |
| 15,16    | RA17324 | System Relay (220V)                   |
| 17       | RA19170 | Inlet Fitting                         |
| 18       | RA18752 | Vacuum Switch                         |
| 20,34    | RA18756 | Inlet/Vapor Recovery Solenoid (115V)  |
| 20,34    | RA19090 | Inlet Solenoid (220V)                 |
| 21       | 19204   | Valve Handle                          |
| 22       | RA19182 | Female Receptacle (disc)              |
| 23       | RA19110 | High Pressure Light (115V)            |
| 23       | RA19122 | High Pressure Light (220V)            |
| 24       | RA19111 | Tank Full Light (115V)                |
| 24       | RA19123 | Tank Full Light (220V)                |
| 25       | RA19109 | Vapor Recovery Switch                 |
| 26       | RA19106 | Main Power Switch                     |
| 27       | RA19107 | Recovery Switch (115V)                |
| 27       | RA19122 | Recovery Switch (220V)                |
| 28       | RA19108 | Liquid Recovery Switch                |
| 29       | RA19173 | System Oil Separator (disc)           |
| 30       | RA19172 | Oil Drain Valve                       |
| 31       | 19144   | Tank Cable                            |
| 32,33    | RA19171 | Condenser In/Out Valve                |
| N/S      | RA19101 | Moisture Indicator                    |
| N/S      | RA19102 | Connector Cable                       |
| N/S      | RA19179 | Stud & Retainer Kit                   |
| N/S      | RA19178 | Shoulder Strap                        |
| N/S      | RA19181 | Power Receptacle                      |
| N/S      | 19049   | Outlet Power Cord (115V)              |
| N/S      | 19097   | Outlet Power Cord (220V)              |
| N/S      | 17419   | Oil Drain Bottle                      |
| N/S      | 17663   | Inlet T Filter Drier                  |
| N/S      | 35136   | 36" Hose 3/8" Fitting                 |
| N/S      | 35236   | 36" Hose 1/2" Fitting                 |
| N/S      | 68260A  | 60" Blue Hose                         |
| N/S      | 68360A  | 60" Red Hose                          |
| N/S      | 17571   | 30 lb. (14kg) Tank with Float Switch  |
| N/S      | 17572   | 50 lb. (23 kg) Tank with Float Switch |
| N/S      | 17574   | 100 lb. Tank with Float Switch        |
| N/S      | 13064   | 3/8" FFL x 1/4" MFL Adapter           |
| N/S      | 19239   | Replacement 3/8" Q.S. Repair Kit      |

**PANZITTA SALES & SERVICE**  
 72 George Avenue  
 Wilkes-Barre, PA 18705  
 570-822-6720 800-822-6720  
[www.panzittasales.com](http://www.panzittasales.com)



*Compressor Unit*



*Base Unit*

