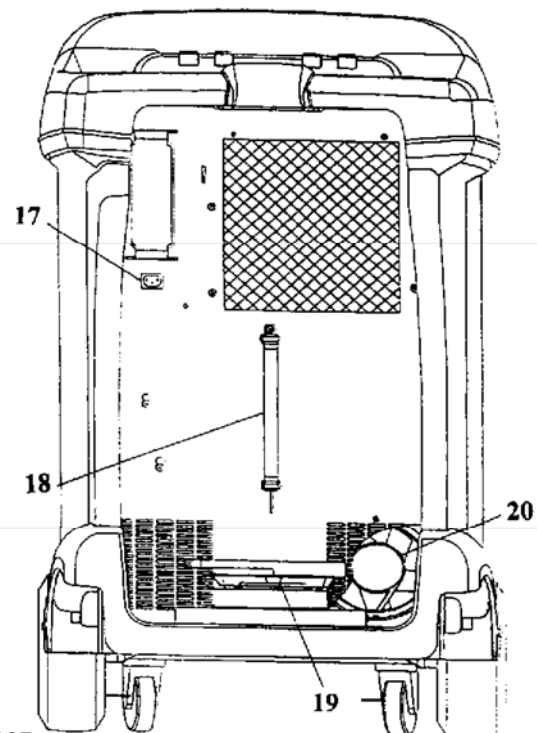
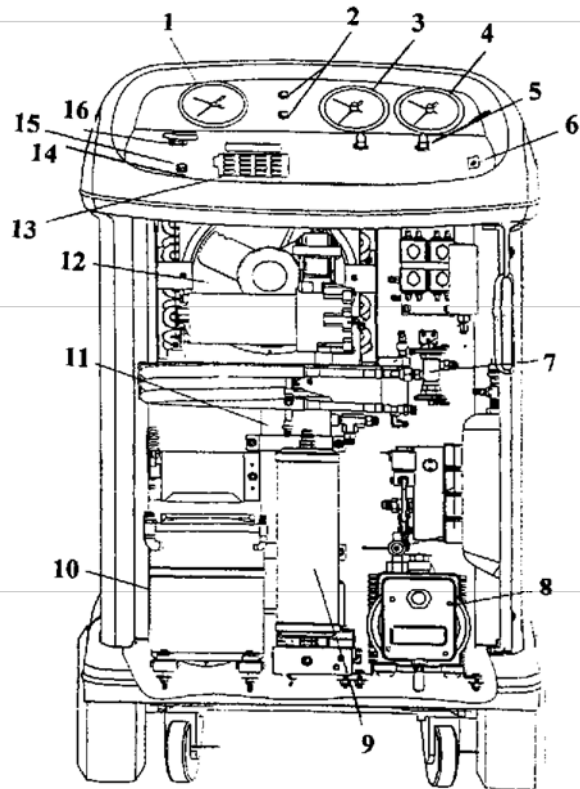


17800B Multi-Refrigerant Recovery, Recycling and Recharging Station International Model 17801B

Illus. # Part #

1	RA19281	Air Purge Gauge (115V)
1	RA19285	Air Purge Gauge (220V)
2	RA17107	Amber Light (115V)
2	RA19351	Amber Light (220V)
3	RA19786	Low Side Gauge
4	RA19787	High Side Gauge
5	RA19506	Inlet Manifold Assembly
6	RA19759	Circuit Breaker/Thermal Overload
7	123958	Flow Control Valve
8	RA15425	Vacuum Pump (115V)
8	RA15628	Vacuum Pump (220V)
9	19776	Spin On Filter
10	RA19775	Hermetic Compressor (115V)
10	RA19785	Hermetic Compressor (220V)
11	123938	System Oil Separator
12	RA19011	550 CFM Fan
13	RA19065	Keypad
14	RA17549	15 Amp Breaker
15	RA19343	Main Power Switch
16	19291	Air Purge Valve
17	RA19181	Power Cord Receptacle
18	RA19501	Tank Strap
19	RA19773	Scale Assembly
20	RA17416	Fan (115V)
20	RA17516	Fan (220V)
N/S	RA19774	Main Circuit Board
N/S	RA19778	Relay Board (115V)
N/S	RA19784	Relay Board (220V)
N/S	RA19782	Oil-less Compressor (115V)
N/S	RA19783	Oil-less Compressor (220V)
N/S	RA19047	Receptacle
N/S	RA19429	Vacuum Pump Protection Switch
N/S	RA18752	Vacuum Switch
N/S	RA19427	High Pressure Switch
N/S	17506	50 lb. (23 kg) Tank (1/4" fittings)
N/S	34750	50 lb. (23 kg) Tank (acme fittings)
N/S	19293	36" Yellow Single Q.S. Hose
N/S	68336A	36" Red Single Q.S. Hose
N/S	19339	36" Blue Single Q.S. Hose
N/S	19312	36" Red Hose w/Auto Shut Off
N/S	19311	36" Blue Hose w/ Auto Shut Off
N/S	19310	36" Yellow Hose w/ Auto Shut Off
N/S	19306	36" Blue Acme Hose
N/S	19307	36" Red Acme Hose
N/S	19313	36" Yellow Acme Hose
N/S	19296	96" Red Hose w/Ball Valve
N/S	19298	96" Blue Hose w/Ball Valve
N/S	19308	96" Red Hose w/Auto Shut Off
N/S	19309	96" Blue Hose w/Auto Shut Off
N/S	19328	96" Red Acme Q.S. Hose
N/S	19329	96" Blue Acme Q.S. Hose
N/S	16301	Tank Adapter
N/S	18190A	Low Side Service Coupler
N/S	18191A	High Side Service Coupler
N/S	19049	Power Cord



PANZITTA SALES & SERVICE
72 George Avenue
Wilkes-Barre, PA 18705
570-822-6720 800-822-6720
www.panzittasales.com