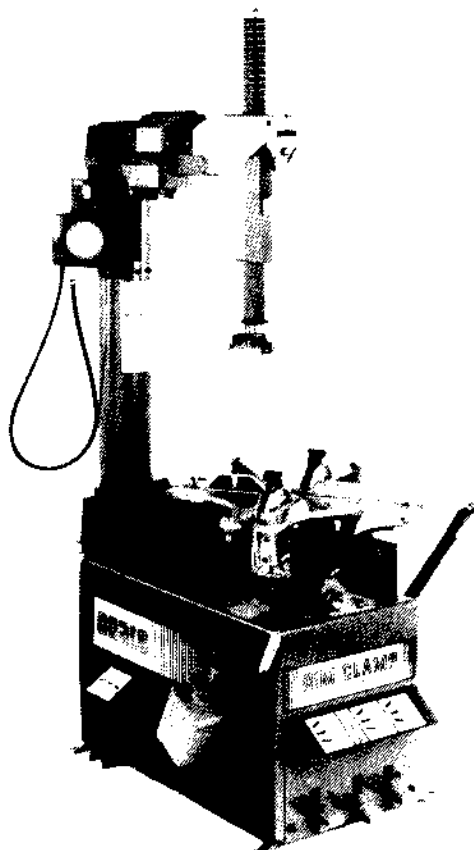


PANZITTA SALES & SERVICE
72 George Avenue
Wilkes-Barre, PA 18705
570-822-6720 800-822-6720
www.panzittasales.com

COATS®

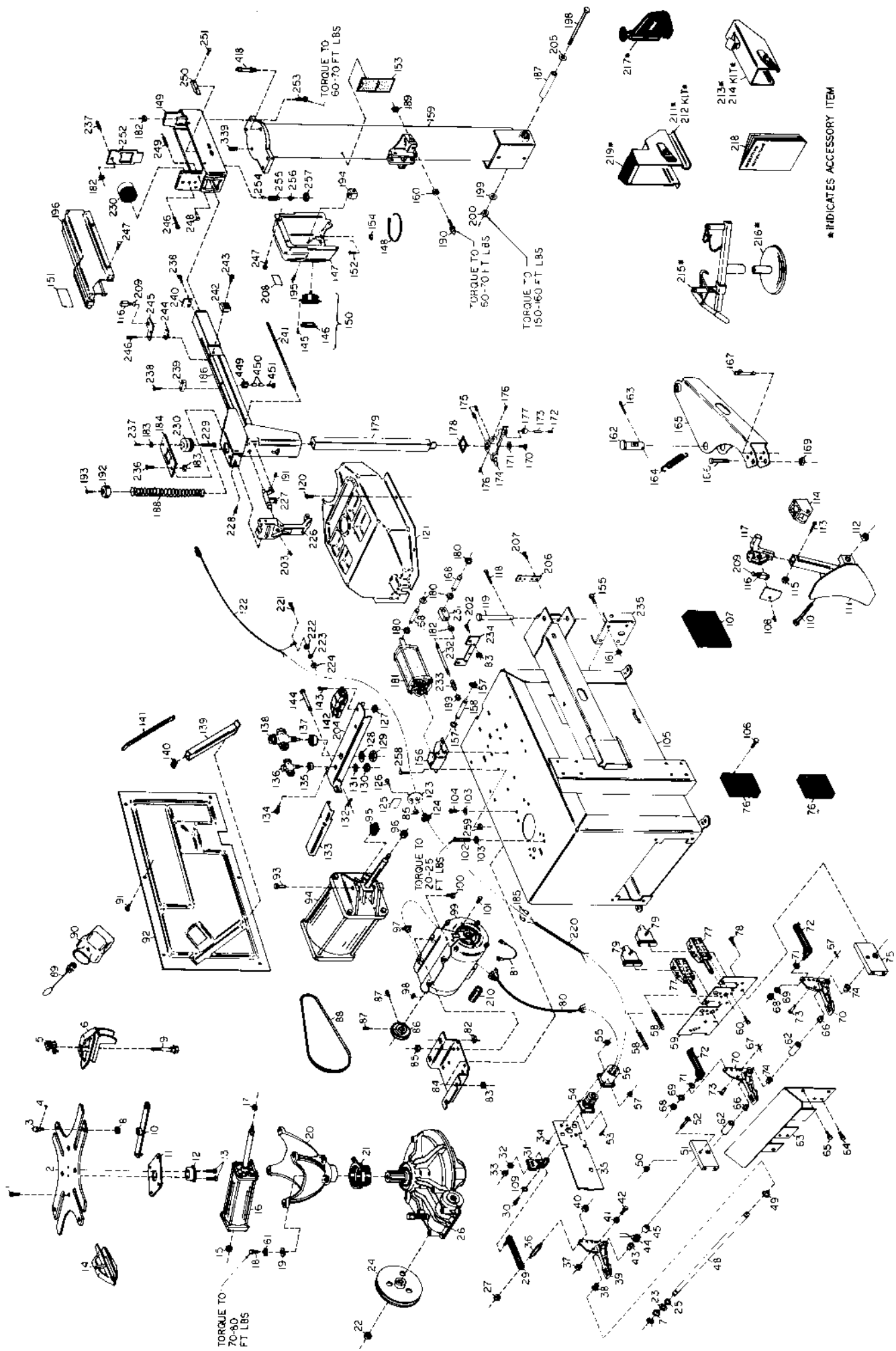
— PARTS LIST —



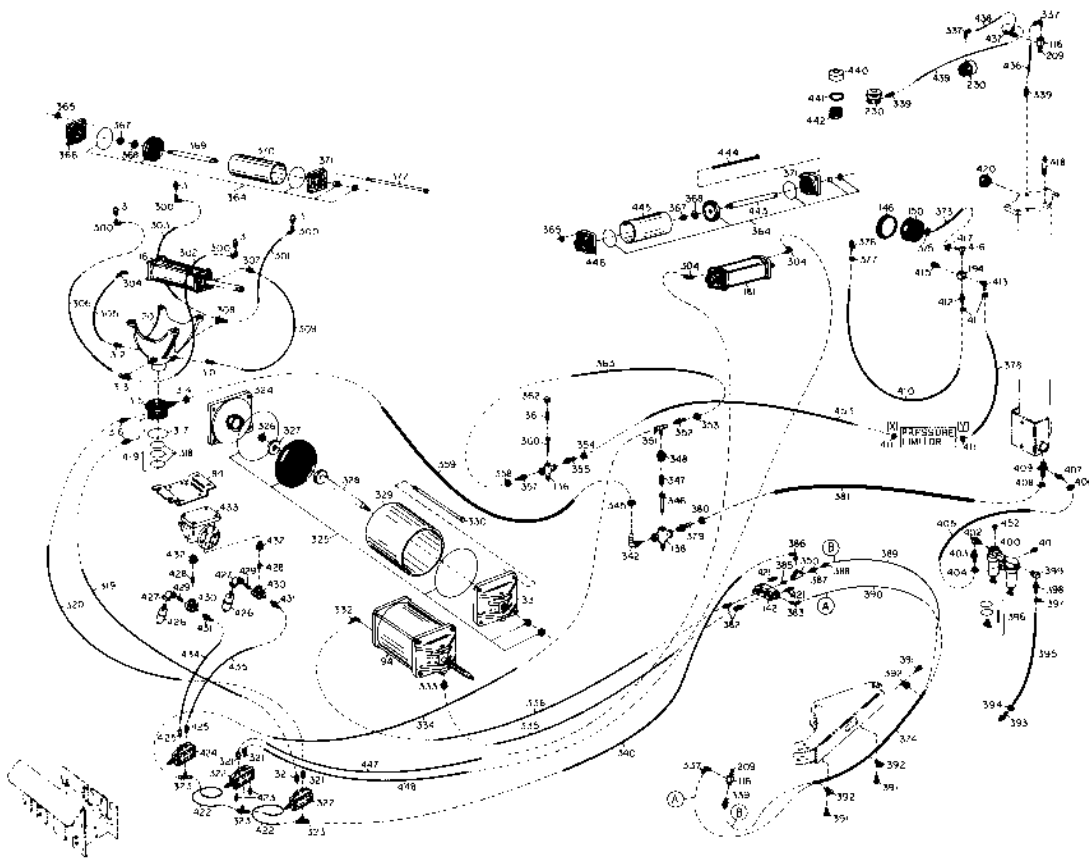
5070A and 5070E Rim-Clamp® Tire Changers

**For Servicing Single Piece
Automotive and Most Light Truck
Tire/Wheel Assemblies**

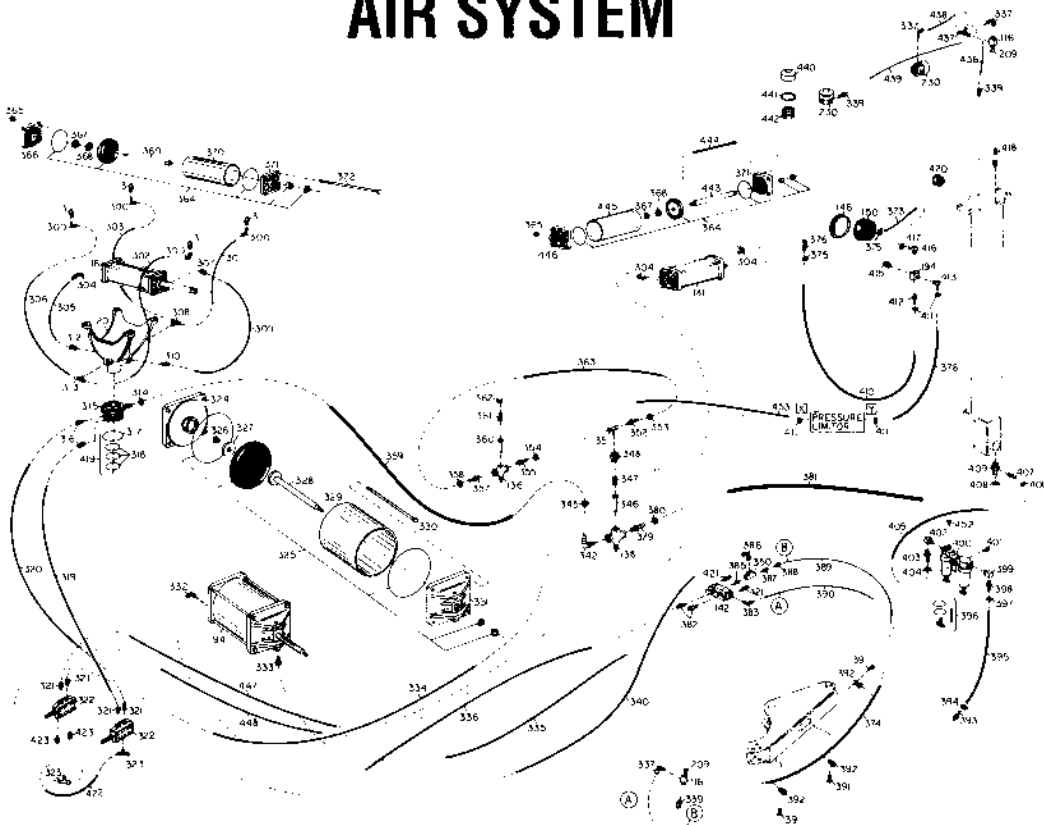
182136



ALL AIR RIM CLAMP TIRE CHANGER



ELECTRO/PNEUMATIC RIM CLAMP TIRE CHANGER AIR SYSTEM

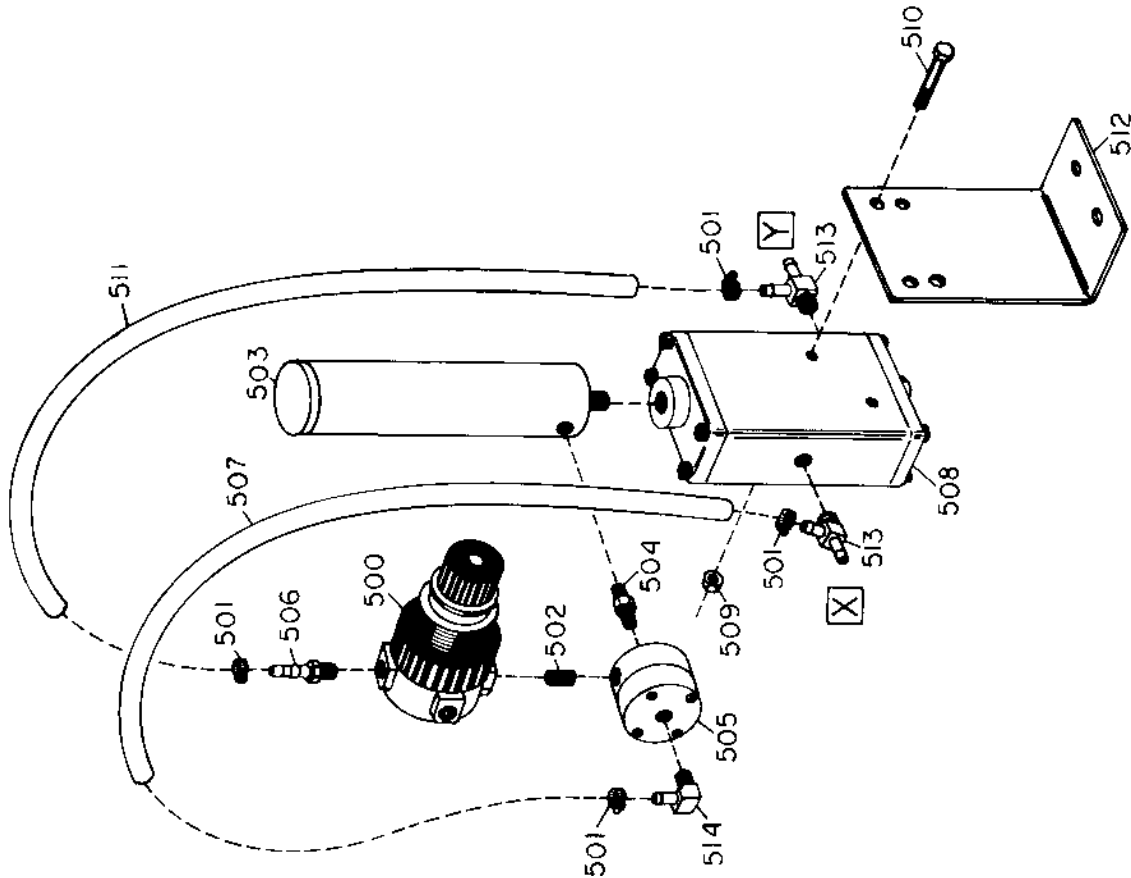


REF. NO.	PART NUMBER	DESCRIPTION	REF. NO.	PART NUMBER	DESCRIPTION	REF. NO.	PART NUMBER	DESCRIPTION	REF. NO.	PART NUMBER	DESCRIPTION
1	181929	Socket Hd Cap Screw 3/8-16 x 1, GR.8	54	181958	Switch - Reversing	103	301032	3/8 Flat Washer, Zinc Plate	158	181692	Pivot Pin - Tilt Cylinder
2	181704	Table Top Plate	55	180246	10-24 Hex Kep Nut	104	107715	3/8-16 x 1 1/4 Hex Hd Cap Screw, GR.5	159	182127	Tower - Tilting (Red)
3	182024	Inflation Nozzle	56	181959	Cover - Switch	105	182041	Chassis - Red	160	181113	1/2-13 Jam Nut
4	182025	Ball, 1/4" - Steel	57	180246	10-24 Hex Kep Nut	106	182068	5/16 x 1 Torx Screw	161	120424	3/8-16 Wash Hd. Lock Nut
5	181677	Rim Clamp	58	181708	Extension Spring, Pedal	107	181855	Center Pad - B.L.	162	181861	Pivot Pin, B.L. Cylinder Rod
6	181907	Clamp Carrier/Cover, Cylinder End.	59	181922	Bracket-Valve Mounting	108	182012	Lo-Torx Screw	163	182054	Cotter Pin 5/32 x 2 1/2
7	182083	3/4" Jam Nut N.F.	60	181989	10-24 x 3/8 Socket Head Cap Screw, GR.8	109	301072	#6 Internal Tooth Lk Washer	164	180230	B.L. Spring
8	181904	Bolt-Link, Table Top Clamp	61	104613	5/8 Ext. Lock Washer	110	182017	5/8-11 x 5' Hex Hd Cap Screw, GR.5	165	182002	B.L. Arm (Red)
9	181734	Pivot Link Assembly	62	181927	Spacer - Pedal	111	181953	B.L. Shoe, Handle & Pivot W/C	166	182009	3/4-10 x 3/4 Hex Hd Cap Screw, GR.5
10	181734	Pivot Link Assembly	63	181975	Guard - Foot Pedal (Red)	112	182043	5/8-11 Nylon Insert Lock Nut	167	107665	Clevis Pin - 1/2" x 2 7/8"
11	181731	Pivot Plate	64	181976	1/4-20 x 1/2 Serr. Washer Head Screw GR.5	113	182013	10-24 X 1 1/2" Hex Hd Cap Screw, GR.5	168	181691	Pin - Tower Tilt Mechanism
12	182078	Pivot Block Assembly	65	106300	3/8" Self Tap Screw GR.5	114	181951	Pivot Block - B.L. Shoe	169	182016	3/4 Nylon Insert Lock Nut
13	181928	Socket Hd Cap Screw 5/16-18 x 1, GR.8	66	181948	Bearing - Nyloner, 1/2"	115	180246	10-24 Hex Kep Nut	170	106302	3/8 Whiz-Lok Screw, GR.5
14	181906	Clamp Carrier/Cover	67	181948	Bearing - Nyloner, 1/2"	116	182046	Valve, 3-Way	171	182027	Washer 7 ga. x .406 ID x 1.28 OD
15	101039	1/2- 13 Hex Lock Nut	68	181634	Cylinder Assembly - Table Top	117	181924	Housing/Cover - B.L. Handle	172	181914	1/4-20 x 3/16 Soc Hd Set Screw, GR.8
16	181634	Cylinder Assembly - Table Top	69	301141	1/4" Flat Washer, .31 ID x .75 OD x .06 Thk.	118	182053	5/32" x 1 1/2" Cotter Pin	173	181915	5mm x 20mm Dowel Pin
17	101039	1/2- 13 Hex Lock Nut	70	181675	Pedal, Standard	119	182010	3/4" x 4" Clevis Pin	174	182026	Mount/Demount Head Assembly
18	181742	16mm x 40mm Hex Head Bolt GR.8	71	181981	Wave Washer, 5/16" I.D.	120	106301	1/4 Self Tapping Screw H.H., GR.5	175	130026	3/8 x 1/2 Soc Hd Set Screw GR.8
19	181743	16mm Washer, Spider	72	181696	Lever - Cam Follower	121	181964	Accessory Tray, Plastic	176	130026	3/8 x 1/2 Soc Hd Set Screw GR.8
20	181990	Spider Assembly	73	181947	Bearing - Nyloner, 1/2"	122	181956	Power Cable Assembly	177	181916	Roller - 562 Diameter x .515 LG.
21	182034	Rotary Coupling Assembly	74	181978	Hair Pin Cotter	123	181129	Bracket, Cable Connector	178	182031	Bumper - Rubber
22	182162	2mm Hex Nut	75	181978	Bearing - Nyloner, 1/2"	124	150128	Cable Connector, 1/2"	179	181769	Shaft - Vertical Slide
23	108265	Washer 1/2"	76	181851	B.L. Pad, Front	125	180237	Caution Decal	180	181979	1/2" Dia. Retaining Ring
24	181658	Pulley - Transmission	77	181986	Valve, 4-Way w/Pull Pin	126	120325	5/16-18 X 1" Serr. Wash. Hd Screw, GR.5	181	181640	Cylinder Assy. - Tower Tilt
25	301121	Washer 1/2"	78	181976	1/4-20 x 1/2 Serr. Wash. Head Screw GR.5	127	180246	10-24 Hex Kep Nut	182	181113	1/2-13 Jam Nut
26	181669	Transmission w/Pulley	79	181695	Cam Mounting Block	128	104612	3/4" Ext. Tooth Lock Washer	183	181113	1/2-13 Jam Nut
27	181369	1/4- 20 Nylon Insert Lock Nut	80	181511	Motor Cable Assembly	129	104610	3/4" N.F. Jam Nut	184	181777	Lock Plate - Vertical Slide
28	181699	Lever Assy-Switch	81	180560	Ground Jumper	130	104611	5/8" N.F. Jam Nut	185	143254	Wire Joint
29	181982	3mm x 12mm Hex Hd Cap Screw GR.5	82	143044	Tinnerman Sq. Captive Nut 3/8-16	131	104613	5/8" Ext. Tooth Lock Washer	186	182123	Horizontal Slide (Red)
30	181728	Lever - Switch Actuator	83	106303	3/8" Whiz Lock Nut	132	107407	Hitch Pin Retainer	187	182125	Pivot Pin - Tower
31	301141	1/4" Flat Washer .31 ID x .75 OD x .06 Thk.	84	181931	Bracket - Motor Mounting	133	181933	Pedal-Inflation Valve	188	182028	Spring - Vertical Slide
32	181369	1/4-20 Nylon Insert Lock Nut	85	181183	5/16-18 Nylon Insert Lock Nut	134	106300	3/8" Self Tap Screw, GR.5	189	101039	1/2-13 Hex Lock Nut
33	181983	Button Hd. Soc. Cap Screw 10-24 x 5/8 GR.8	86	180046	Pulley - Motor	135	104673	Bushing (1/4" Valve)	190	181688	Pin - Tower Locator
34	181919	Bracket - Switch	87	180217	5/16-18 x 3/8" Soc Hd Set Screw, GR.5	136	104600	1/4" Valve Comp.	191	181719	10-32 X 3/16 Soc Hd. Set Screw, GR.8
35	181701	Spacer - Switch Pedal Lever	88	180047	V-Belt, Motor	137	104674	Bushing (3/4" Valve)	192	181771	Knob - Vertical Slide
36	181369	1/4-20 Nylon Insert Lock Nut	89	000491	Lube Applicator	138	106298	3/4" Valve Ported 1/4"-18 NPT	193	182029	5/16-18 x 1 1/2 Button Hd Soc. Cap Screw, GR.8
37	181948	Bearing - Nyloner, 1/2"	90	108259	Lube Bottle	139	182050	Lift Tool Holder W/C	194	181039	Inflation Manifold
38	181675	Pedal, Standard	91	106301	1/4" H.H. Self Tap Screw, GR.5	140	181966	Lift Tool Pad	195	104596	10-24 Self Tap Screw, GR.2
39	18183	5/16-18 Nylon Insert Lock Nut	92	181965	Side Panel - Plastic	141	181354	Bead Lifting Tool	196	181791	Cover - Horizontal Slide
40	181923	Stop Washer - Foot Pedal	93	181949	Clevis Pin - 5/8 x 1 3/8	142	181995	4-Way Valve (Pilot)	197	106301	1/4-20 H.H. Self Tap Screw, GR.5
41	181984	1/4- 20 x 1" Hex Hd Cap Screw GR.5	94	182014	B.L. Cylinder Assembly	143	182001	10-24 x 3/4 Soc Hd Cap Screw, GR.5	198	182126	3/4-10 X 9" H.H. Cap Screw, GR.5
42	181948	Bearing - Nyloner, 1/2"	95	181912	Clip, Clevis	144	180103	3/8 x 3/4 Clevis Pin	199	181182	3/4" Machine Bushing
43	181707	Torsion Spring	96	182016	3/4-10 Nylon Insert Lock Nut	145	107983	Plastic Fastener	200	182016	3/4-10 Nylon Insert Lock Nut
44	181872	Sleeve - E-Ring, 1/2"	97	150128	Cable Connector, 1/2"	146	107517	Gauge Lens, Screw On	202	107413	3/8-16 x 1 Serr. Wash. Screw, GR.5
45	181980	Bowed E-Ring, 1/2"	98	180558	Key - Motor	147	182119	Gauge Housing	203	182171	Spring - Detent
46	181979	Retaining Ring 1/2"	99	181100	Motor Electric	148	181553	Strap - Accessory Tray	204	181932	Inflation Bracket
47	181871	Pedal Shaft	100	120325	5/16-18 x 1 Serr. Wash. Hd. Screw, GR.5	149	182084	Horizontal Slide Support	205	181182	3/4" Machine Bushing
48	181369	1/4-20 Nylon Insert Lock Nut	101	120455	10-24 Self Tap Screw, GR.2	150	107985	Flanged Air Gauge w/Fasteners	206	182072	Strap, Filter-Lube Mounting
49	181918	Bar - Valve Bkt. Spacer	102	182040	10mm x 55mm Hex Hd Cap Screw, GR.8	151	109888	Inflation Warning Decal	207	106300	3/8" Self Tap Screw, GR.5
50	120321	1/4 x 1 1/4 Hex Hd Cap Screw, GR.5	103	181983	Button Hd Soc Cap Screw 10-24 x 5/8, GR.8	152	120325	5/16 X 1" Serr. Wash. Hd Screw, GR.5	208	182059	Decal, Line Press Gauge
51	181983	Button Hd Soc Cap Screw 10-24 x 5/8, GR.8	104	181983	Button Hd Soc Cap Screw 10-24 x 5/8, GR.8	153	180060	Decal, Warning	209	182047	Manual Push Button
52	181983	Button Hd Soc Cap Screw 10-24 x 5/8, GR.8	105	181983	Button Hd Soc Cap Screw 10-24 x 5/8, GR.8	154	181183	5/16-18 Nylon Insert Lock Nut	210	180638	Motor Capacitor Only
53	181983	Button Hd Soc Cap Screw 10-24 x 5/8, GR.8	106	181983	Button Hd Soc Cap Screw 10-24 x 5/8, GR.8	155	106302	3/8" Whiz Lock Screw, GR.5	211*	235208	Motorcycle Clamp (Tail)
			107	181983	Button Hd Soc Cap Screw 10-24 x 5/8, GR.8	156	181694	Bracket - Tilt Cylinder	212*	181619	Motorcycle Clamp Kit (Tail)
			108	181983	Button Hd Soc Cap Screw 10-24 x 5/8, GR.8	157	101001	3/4" Dia. Retaining Ring	213*	235740	ATV Clamp (Tail)

REF. NO.	PART NUMBER	DESCRIPTION	REF. NO.	PART NUMBER	DESCRIPTION	REF. NO.	PART NUMBER	DESCRIPTION	REF. NO.	PART NUMBER	DESCRIPTION
214*	181891	ATV Clamp Kit (Tail)	370	181627	Sleeve - Cylinder	426	181206	Muffler	427	181195	1/2 - 3/8 Reducing Ell
215*	108028	Tie Spreader	371	181620	Cap - Cylinder Top	428	000580	1/4 NPT Close Nipple	429	181207	3/8" NPT Close Nipple
216*	181329	Spreader Base - Rim Clamp	372	181633	Tie Bolt - Tabletop Cylinder	430	000481	Hose - 1/4" x 6' Lg	431	181191	Valve, Quick Exhaust
217*	435685	Drop Center Aid	373	182008	Hose 3/8" x 50' Lg	432	181203	1/2" - 1/4" Reducing Bushing	433	181999	St. Male Fitting, 1/4 NPT x 3/8 Tube
218	182137	Operating Instructions - 5070	374	182008	Hose 3/8" x 50' Lg	434	181203	1/2" - 1/4" Reducing Bushing	435	181190	Air Motor, Gast, 6AM
219*	435203	Plastic Clamp Jaw	375	101428	Hose Clamp - 1/4 I.D. Hose	436	182005	Nylon Tube 3/8" x 20' Lg	437	182005	Nylon Tube 3/8" x 20' Lg
220	182141	Cord - Entrance To Switch	376	410419	Air Chuck	437	182154	Nylon Tube 1/8" x 10' Lg	438	182154	Nylon Tube 1/8" x 10' Lg
221	106301	1/4-20 Hex Wash Hd Screw, GR 5	377	105822	Hose Clamp - 9/16	438	182155	Nylon Tube 1/8" x 14 1/2" Lg	439	182155	Nylon Tube 1/8" x 14 1/2" Lg
222	150441	1/4" Star Lock Washer	378	182090	Hose 1/4" x 61' Lg	439	182156	Nylon Tube 1/8" x 21" Lg	440	181780	Cap - Slide Lock Cylinder
223	301142	1/4" Split Ring Lock Washer	379	104573	Fitting Straight, 3/4"	440	181785	Seal - Slide Lock Cylinder	441	181781	Base - Slide Lock Cylinder
224	107440	1/4-20 Hex Nut	380	101346	3/4" Hose Clamp	441	181785	Seal - Slide Lock Cylinder	442	181781	Base - Slide Lock Cylinder
225	106301	1/4-20 Hex Wash Hd Screw, GR 5	381	181993	Hose 3/4" x 15' Lg	442	181785	Seal - Slide Lock Cylinder	443	181639	Shaft - Tower Tilt Cylinder
226	181773	Handle - Horizontal Slide	382	181999	Male St Fitting 1/4 NPT x 3/8 Tube	443	181639	Shaft - Tower Tilt Cylinder	444	181641	Tie Bolt - Tower Tilt Cylinder
227	182091	Slide Lock Plunger	383	181997	Male Elbow, 1/8 NPT x 1/8 Tube	444	181641	Tie Bolt - Tower Tilt Cylinder	445	181638	Sleeve - Tower Tilt Cylinder
228	182150	5/16-18 X 1/2 Button Hd. Soc Cap Screw, GR 8	384	000580	1/4 NPT Close Nipple	445	181638	Sleeve - Tower Tilt Cylinder	446	181638	Sleeve - Tower Tilt Cylinder
229	182120	1/2-20 X 2 1/2 Soc Hd. Cap Screw, GR 8	385	000580	1/4 NPT Close Nipple	446	181638	Sleeve - Tower Tilt Cylinder	447	182159	Nylon Tube 1/4" x 48" Lg
230	182096	Cylinder Assy - Slide Lock	386	181998	Male Elbow, 1/4 NPT x 3/8 Tube	447	182159	Nylon Tube 1/4" x 48" Lg	448	182159	Nylon Tube 1/4" x 48" Lg
231	181693	Clevis - Tilt Cylinder Stop	387	109481	Bushing, 1/4 - 1/8, Brass	448	182159	Nylon Tube 1/4" x 48" Lg	449	309008	Bumper-Horizontal Slide
232	181690	Rod - Tower Stop	388	181996	Male St Fitting, 1/8 NPT x 1/8 Tube	449	309008	Bumper-Horizontal Slide	450	107738	Spacer Bushing
233	182153	Spring - Lower Bumper	389	182007	Nylon Tube 1/8 X 60" Lg	450	107738	Spacer Bushing	451	108517	3/8-16 1-1/2 H.H.C.S., GR. 5
234	181689	Bar - Tower Pin Locator	390	182007	Nylon Tube 1/8 X 60" Lg	451	108517	3/8-16 1-1/2 H.H.C.S., GR. 5	452	110495	Adjustment Knob - Filter
235	182131	Pivot Channel (Red)	391	143644	1/4-20 H.H. Self Tapping Screw, GR 5	452	110495	Adjustment Knob - Filter	453	103649	1/4" Hose x 12" Lg.
236	182116	GR 8 1/2-13 X 2 Button Hd. Soc Cap Screw, GR 8	392	182044	Clamp, Hose	453	103649	1/4" Hose x 12" Lg.			
237	182148	1/2-13 X 1 1/2 Soc Hd. Cap Screw, GR 8	393	101898	3/8" Hose Fitting						
238	182149	5/16-18 X 3/4 Soc Hd. Cap Screw, GR 8	394	101427	Hose Clamp - 3/8 I.D. Hose						
239	182117	Front Stop Block	395	181147	Hose 3/8" x 17 1/4" Lg						
240	182118	Rear Stop Plate	396	182081	Repair Kit, Filter - Lubricator						
241	182099	Actuator Rod - Slide Lock	397	101427	Hose Clamp - 3/8 I.D. Hose						
242	182095	Cam - Slide Lock	398	000372	3/8" Hose Fitting						
243	182115	1/4 X 5/8 Soc Hd. Shoulder Screw	399	181962	Filter-Lubricator						
244	182098	Spacer - Valve Mounting Plate	400	181962	Filter-Lubricator						
245	182097	Mounting Plate - Valve	401	106300	3/8" Self Tap Screw, GR.5						
246	140665	1/2-20 X 3/4 Soc Hd. Cap Screw, GR 8	402	100372	1/4" x 90 Deg Street Ell						
247	182151	10-24 X 1/2 Button Hd. Soc Hd. Cap Screw, GR 8	403	101898	3/8" Hose Fitting						
248	182152	Clevis Pin - 1/4 X 5/8	404	101427	Hose Clamp - 3/8 I.D. Hose						
249	181793	Spring - Horizontal Lock Plate	405	181147	Hose 3/8" x 17 1/4" Lg						
250	182094	Wedge - Horizontal Lock	406	101427	Hose Clamp - 3/8 I.D. Hose						
251	143168	1/4-20 X 3/4 Self. Wash. Hd. Screw, GR 5	407	101898	3/8" Hose Fitting						
252	181779	Lock Plate - Horizontal Slide	408	101346	3/4" Hose Clamp						
253	181740	1/2-13 X 1 3/4 Soc Hd. Cap Screw, GR 8	409	182020	Fitting St - 3/4" NPT Hose x 1/4" NPT Branch						
254	181792	Ball - 3/4" Dia.	410	181121	Hose 1/4" X 48" Lg						
255	181794	Ball Carrier - Horizontal Slide	411	101428	Hose Clamp - 1/4 I.D. Hose						
256	182147	Grease Fitting - 1/8 PTF Str.	412	000378	1/4" Brass St Fitting						
257	181048	1-1/4 Jam Nut	413	000376	1/4" X 90 Deg Brass Fitting						
258	190191	5/16-18 X 2 Hex Hd. Cap Screw, GR 5	414	103737	Release Valve						
259	000525	5/16-18 Hex Lock Nut, GR 5	415	101428	Hose Clamp - 1/4 I.D. Hose						
300	181998	Male Elbow 1/4 NPT x 3/8 Tube	416	000376	1/4" X 90 Deg. Brass Fitting						
301	182036	Nylon Tube 3/8 OD x 12.75" Lg	417	101428	Hose Clamp - 1/4 I.D. Hose						
302	182036	Nylon Tube 3/8 OD x 12.75" Lg	418	104968	Safety Valve						
303	182036	Nylon Tube 3/8 OD x 12.75" Lg	419	182164	Seal Kit - Rotary Coupling						
304	182023	Male Elbow 1/8 NPT x 1/4 Tube	420	108968	Air Gauge						
305	182038	Nylon Tube 1/4 OD x 12.50" Lg	421	104209	Muffler						
306	182036	Nylon Tube 3/8 OD x 12.75" Lg	422	182004	Nylon Tube 3/8 x 30" Lg						

PANZITTA SALES & SERVICE
72 George Avenue
Wilkes-Barre, PA 18705
570-822-6720 800-822-6720
www.panzittasales.com

PRESSURE LIMITER



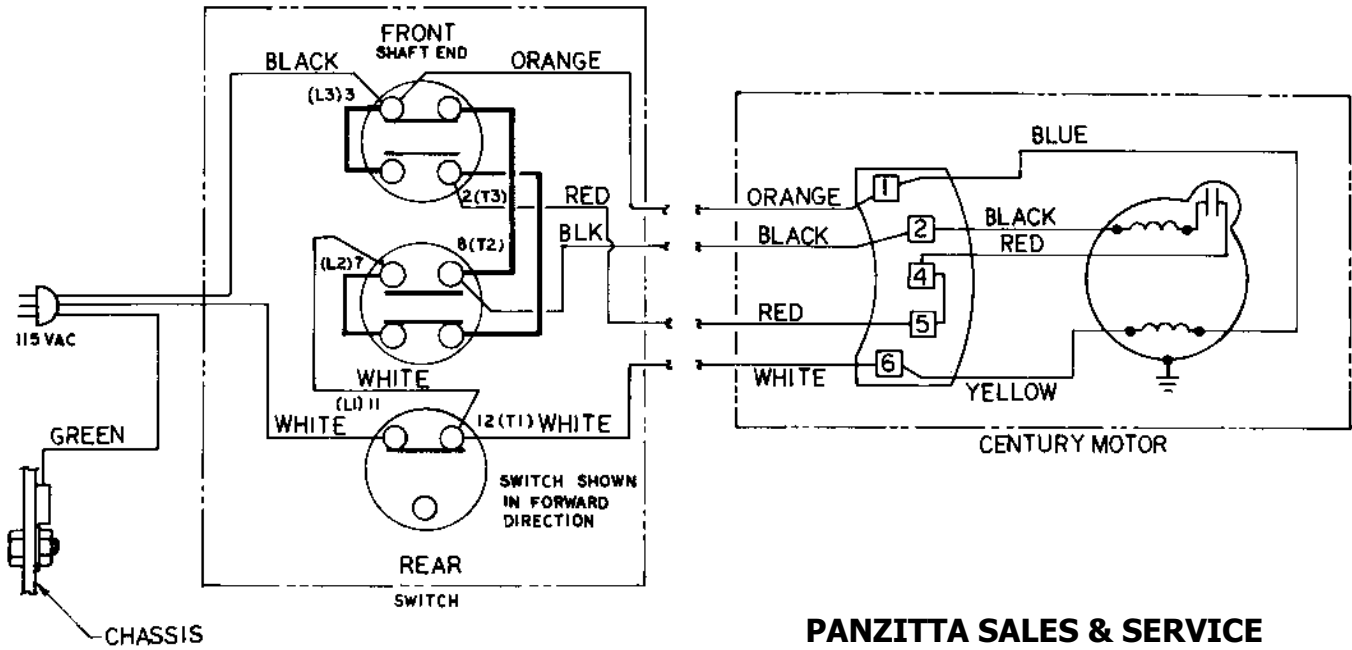
REF. NO.	PART NUMBER	DESCRIPTION
500	181392	Regulator
501	101428	1/4" Hose Clamp
502	109472	1/8" Inline Filter
503	110496	Volume Chamber
504	109471	1/8" Close Nipple
505	109468	Pressure Repeater
506	104844	1/8" Straight Fitting
507	103649	1/4" Hose x 12" L.G.
508	109466	Valve
509	143169	1/4" - 20 Whiz Lock Nut
510	120408	1/4" - 20 x 1 3/4" H.I.C.S.
511	103649	1/4" Hose x 12" L.G.
512	110532	Bracket Inflation Limiter
513	110325	1/4" NPT Male Run Tee
514	110497	Fitting - 90° Male Elbow

PANZITTA SALES & SERVICE
 72 George Avenue
 Wilkes-Barre, PA 18705
 570-822-6720 800-822-6720
 www.panzittasales.com

When ordering parts always give the following information:
 (1) Part Number (2) Description (3) Serial Number of Your Machine

ELECTRICAL DIAGRAMS

REVIEW MODEL FOR PROPER DIAGRAM BEFORE REPAIR OR ORDERING PARTS



PANZITTA SALES & SERVICE
 72 George Avenue
 Wilkes-Barre, PA 18705
 570-822-6720 800-822-6720
www.panzittasales.com

