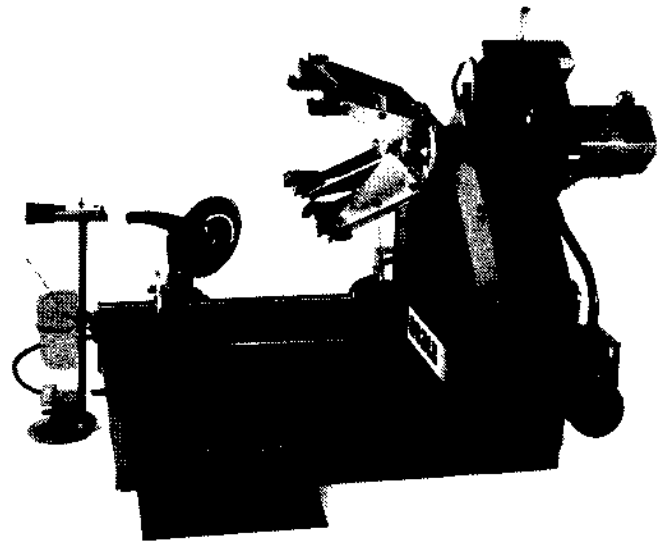


PANZITTA SALES & SERVICE  
72 George Avenue  
Wilkes-Barre, PA 18705  
570-822-6720 800-822-6720  
www.panzittasales.com

# COATS®

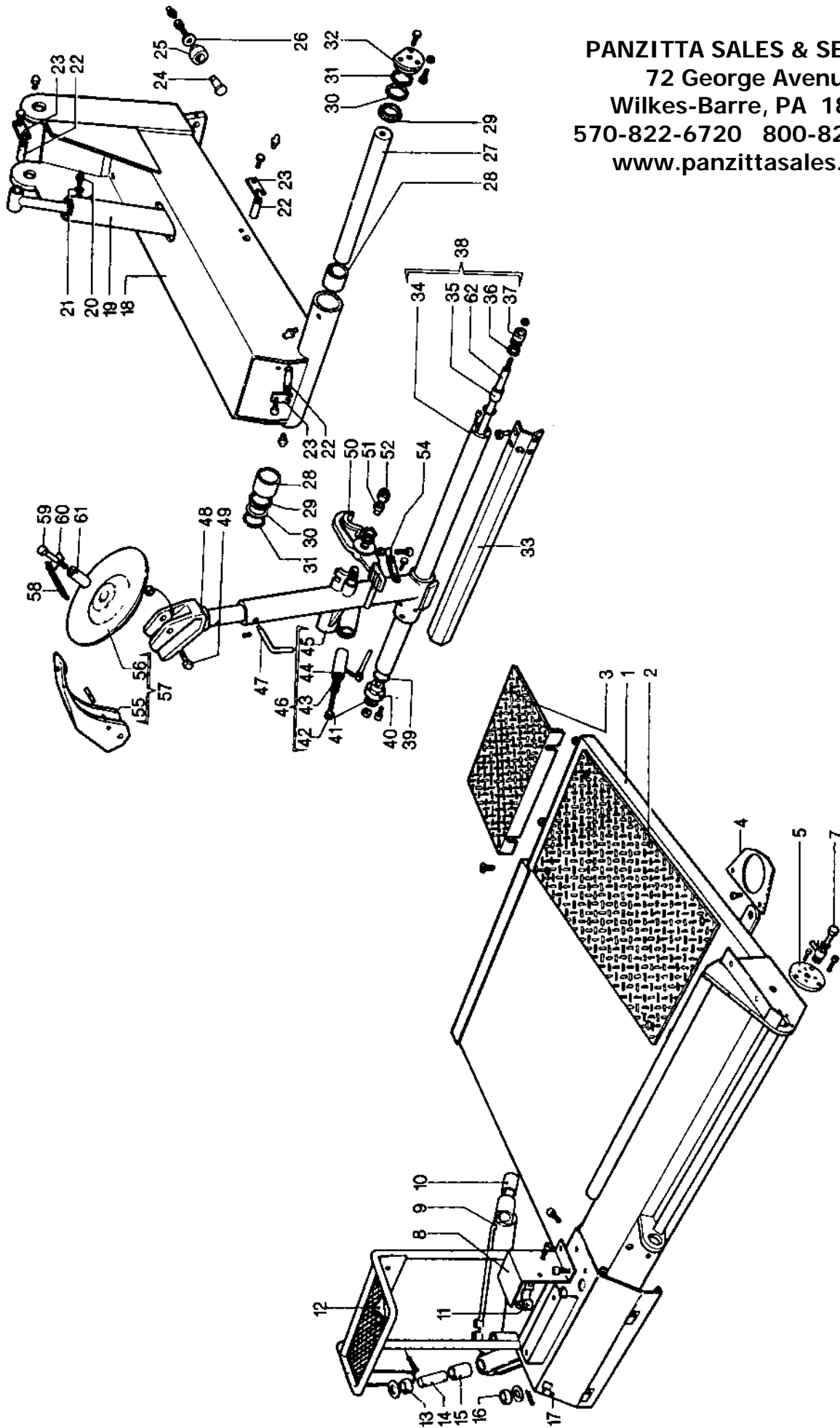
— PARTS LIST —



## **H.I.T. 8000A**

THE  
**HEAVY-DUTY TRUCKER  
TRUCK TIRE CHANGER**

# FRAME ASSEMBLY

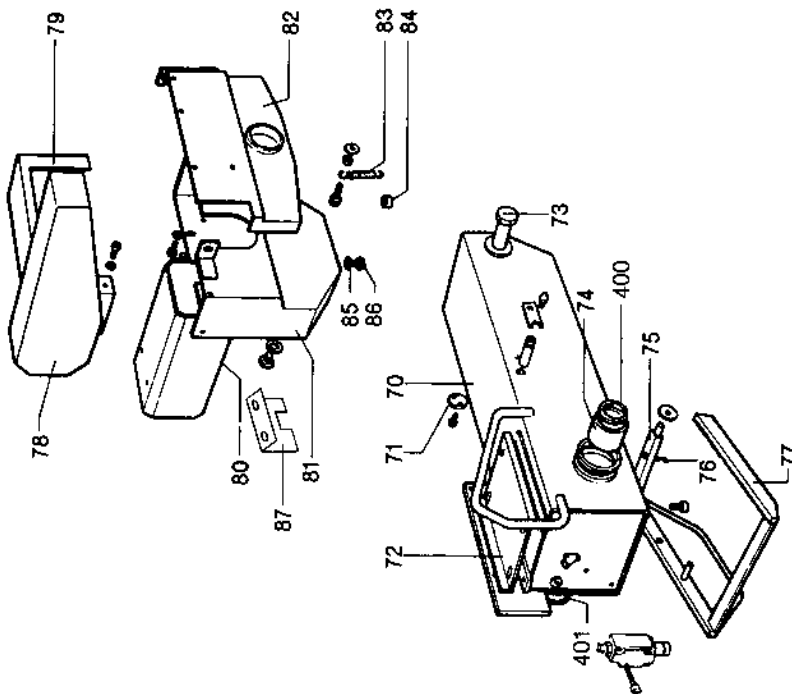


**PANZITTA SALES & SERVICE**  
 72 George Avenue  
 Wilkes-Barre, PA 18705  
 570-822-6720 800-822-6720  
 www.panzittasales.com

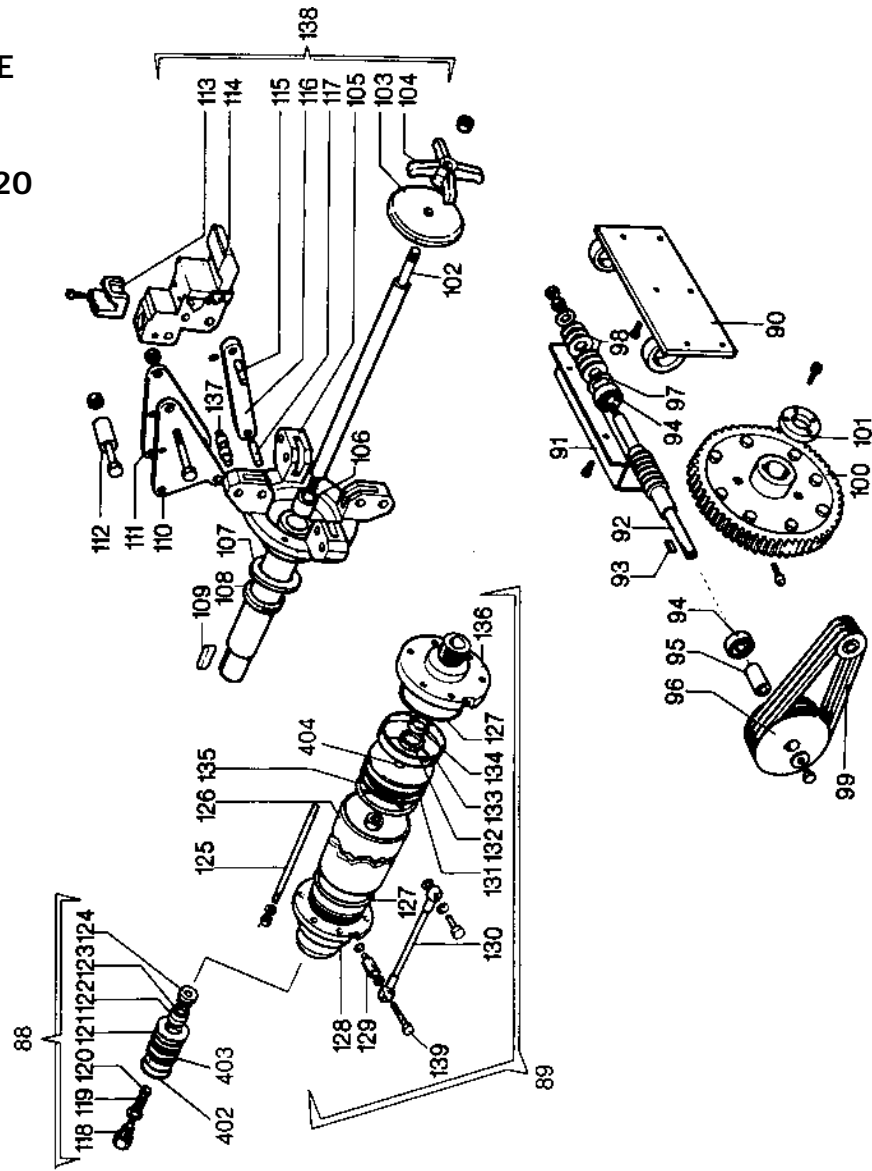
When ordering parts always give the following information:  
 (1) Part Number (2) Description (3) Serial Number of Your Machine

ITEM	PART NO.	QTY.	DESCRIPTION	ITEM	PART NO.	QTY.	DESCRIPTION
1	234313	1	Base	33	234248	1	Cover
2	322680	1	Platform, Anti-slip	34	321793-A	1	Cylinder
3	319199	1	Ramp	35	321787	1	Washer
4	329660	1	Holder, Lube Bottle	36	421832	1	Seal
5	321791	1	Cylinder, Rear Flange, 40mm	37	321786	1	Plunger
7	322489	2	Coupling, Short Pin	38	221830-C	1	Cylinder Assembly
8	334442	1	Guard, Footpedal Plug	39	416444	2	O-Ring
9	234451	1	Long Cylinder Assembly	40	321789-B	1	Cylinder, Front Flange, 40mm
10	434466	1	Bushing, Cylinder	41	422702	1	Seal
11	324544	1	Clamp	42	601172	1	Screw, 8mm x 130mm
12	334842	1	Pad, Rubber Control Panel	43	421788-A	1	Spring
13	317421-B	1	Sleeve, Cylinder	44	221827	1	Sleeve, Spring
14	317425	1	Cotter	45	234305	1	Arm, Tool Holder
15	434466	1	Bushing, Cylinder	46	234311	1	Arm/Pawl, Tool Holder
16	317421-B	1	Sleeve, Cylinder	47	321824	1	Pin
17	334440	1	Holder, Tool	48	221542	1	Holder, Tool
18	234309	1	Carriage	49	322886	1	Fulcrum
19	217433-A	1	Lift Cylinder Assembly	50	321798-D	1	Pawl
20	417627	2	Adapter, 1/4"	51	321790-B	1	Bushing, Eccentric
21	417815	2	Washer, Aluminum, 1/4"	52	422677	1	Nut, Self-locking, 20mm
22	334272	2	Cylinder, Lift	54	421828-A	1	Spring
23	321834	3	Stop, Cylinder	55	233431	1	Claw
24	334422	2	Pin, Wheel	56	221594	1	Disk, Breaker
25	317419-A	2	Wheel	57	221593-C	1	Claw and Disk
26	318183-B	2	Washer, 12mm	58	421596	1	Spring
27	322973	1	Pin, Carriage	59	322250	1	Screw, 20mm x 1.5mm x 96mm
28	434310	2	Bearing, Large	60	321597	1	Attachment, Spring
29	417823	2	Seal	61	321536	1	Bushing
30	319510	2	Washer	62	235457	1	Support
31	417822	4	Ring, Thrust				
32	322972-C	1	Flange, Carriage Pin				

# ARM ASSEMBLY



# JAW ASSEMBLY



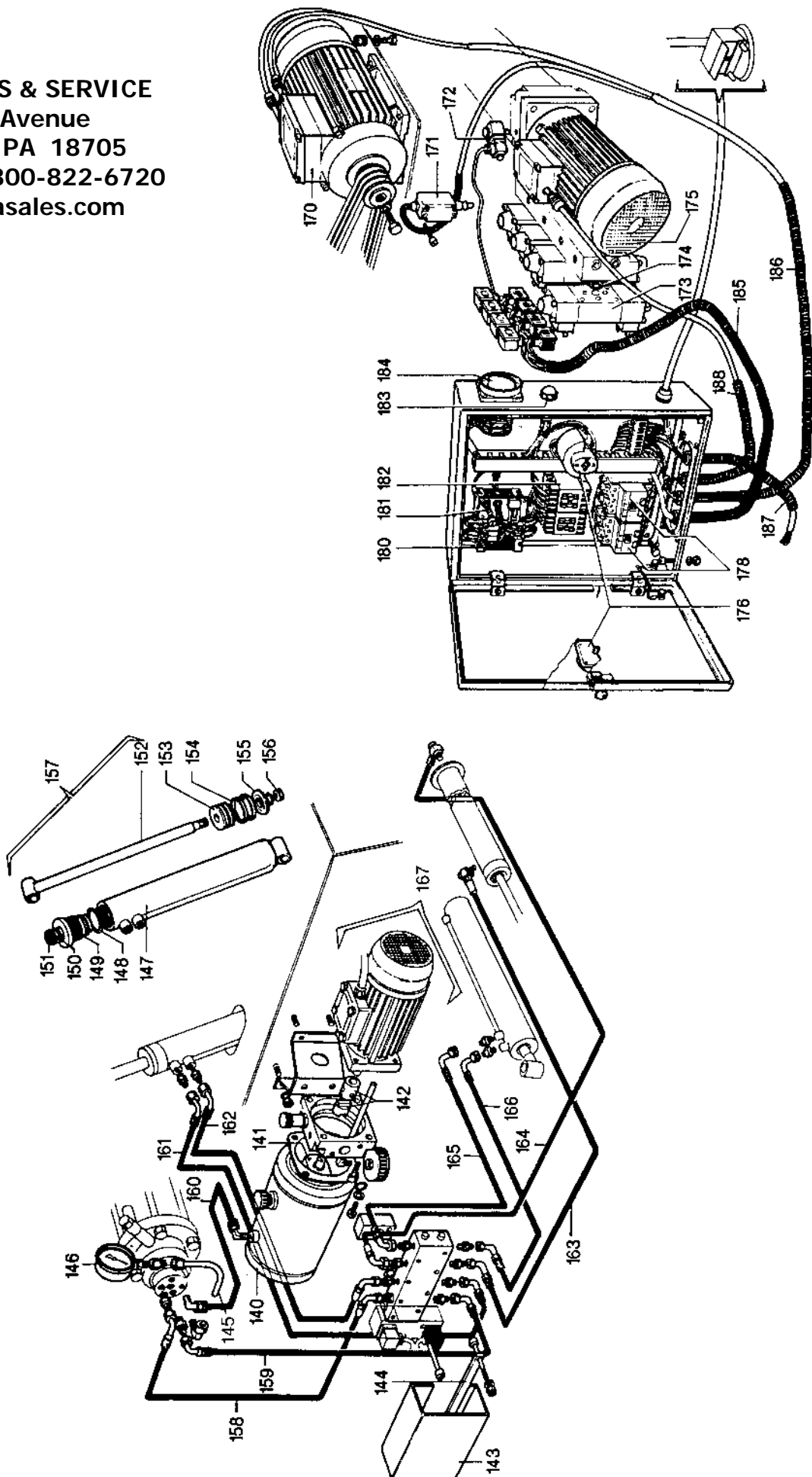
When ordering parts always give the following information:  
 (1) Part Number (2) Description (3) Serial Number of Your Machine

ITEM	PART NO.	QTY.	DESCRIPTION	ITEM	PART NO.	QTY.	DESCRIPTION	ITEM	PART NO.	QTY.	DESCRIPTION
70	234308	1	Arm	88	234477	1	Distributor	116	334163	4	Link, Chuck Connecting
71	317431	1	Plate, Drilled Hex	89	234138	1	Cylinder	117	334164	4	Cotter
72	317321	1	Flange, Motor	90	229117	1	Support, Wormscrew	118	420998	1	Plug, 5.9mm x 25mm x 0.6mm
73	334273	1	Pin, Arm	91	323590	1	Guard, Wormscrew	119	417806	1	Spring
74	421548	1	Bushing	92	317275	1	Wormscrew	120	318838	1	Guide, Spring
75	317446	1	Fulcrum, Safety Interlock	93	600716	1	Key	121	324244	1	Valve, Control
76	600043	1	Pin, Cotter, 2mm x 15mm	94	601034	2	Bearing	122	324209	1	Plunger, Pilot
77	217326	1	Panel, Safety Interlock	95	317338-B	1	Washer, Wormscrew	123	424363	1	Seal, Ring
78	223113	1	Casing, Motor Belt	96	317274	1	Pulley	124	324210	1	Plug
79	223589	1	Casing, Oil Pan	97	317281-A	1	Washer, 40mm	125	334204	6	Cylinder, Tie Rod
80	234149	1	Shell, Cylinder	98	601035	2	Bearing	126	334136	1	Cylinder, 120mm
81	223109-A	1	Pan, Oil	99	417447	3	Belt	127	428538	2	O-Ring
82	321571	1	Cover, Oil Seal	100	321570	1	Gear, Worm	128	334137	1	Flange, Rear Cylinder
83	417834	1	Spring, Safety Interlock	101	321586	1	Flange, Worm Gear	129	334423	1	Stud, Cylinder
84	305022	1	Washer, Bracket	102	334146	1	Rod, Cylinder	130	322130	1	Hose, 10mm x 109mm
85	417816	1	Washer, Aluminum, 3/8"	103	321516	1	Disk, Chuck Opening	131	334143	1	Plunger
86	319251	1	Plug, Oil Drain	104	321517	1	Spider, Chuck Closing	132	434140	1	Seal, Ring
87	334152	1	Stop	105	234212	1	Spindle	133	434145	1	Guide, Ring
400	421572	1	Seal	106	434166	1	Bushing	134	434141	1	Guide, Ring
401	421574	1	O-Ring	107	425004	2	Washer, Steel, 81mm	135	434144	1	Seal, Ring
				108	421572	2	Seal	136	334139	1	Flange, Front Cylinder
				109	601162	2	Key	137	334170	4	Roller, Grooved
				110	334157	4	Plate, Chuck Side	138	234155	1	Chuck
				111	334156	4	Plate, Chuck Side	139	335284	1	Screw, 1/2"
				112	334160	4	Spacer, Plate	402	424359	1	Seal, Ring
				113	421556	4	Jaw	403	424362	3	Seal, Piston
				114	334201	4	Carrier, Jaw	404	434203	1	O-Ring
				115	321564-B	4	Cotter				

**PANZITTA SALES & SERVICE**  
 72 George Avenue  
 Wilkes-Barre, PA 18705  
 570-822-6720 800-822-6720  
[www.panzittasales.com](http://www.panzittasales.com)

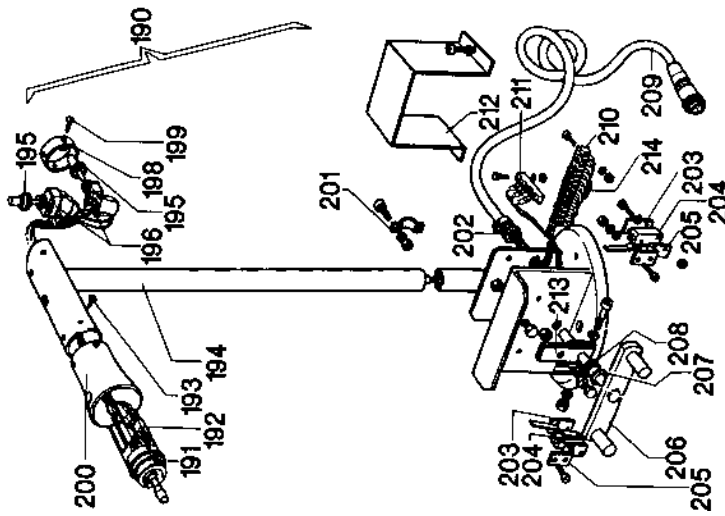
PANZITTA SALES & SERVICE  
 72 George Avenue  
 Wilkes-Barre, PA 18705  
 570-822-6720 800-822-6720  
 www.panzittasales.com

HOSE AND HYDRAULIC SYSTEM ASSEMBLIES

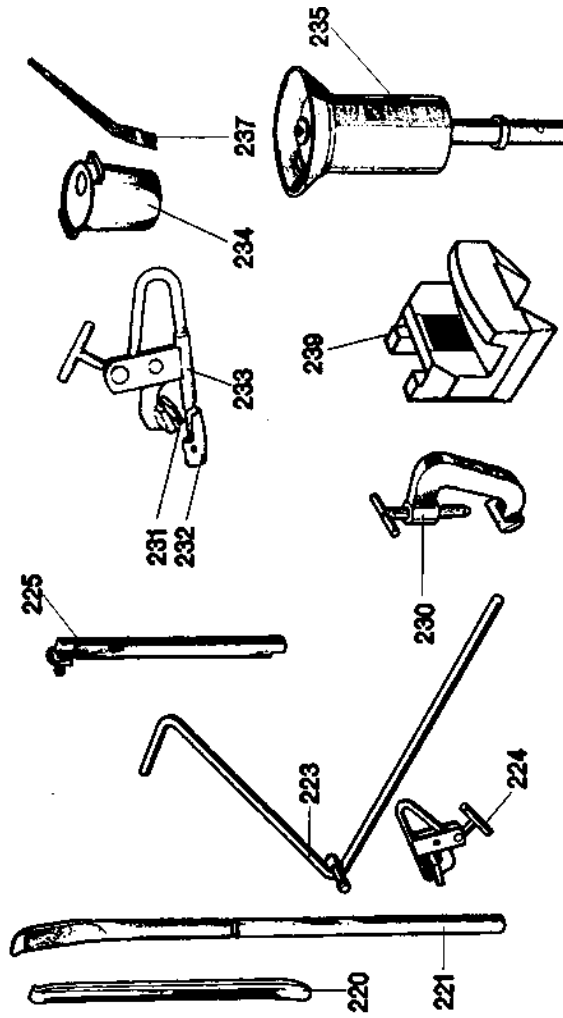


ITEM	PART NO.	QTY.	DESCRIPTION	ITEM	PART NO.	QTY.	DESCRIPTION
140	435365	1	Tank	170	424020	1	Motor, 2 speed 220/3/60 Hz
141	435375	1	Pump, 60 Hz	171	422041	1	Switch, Travel, End
142	431027	1	Fitting, Coupling	172	435367	1	Solenoid, Bypass
143	334909	1	Cover, Solenoid	173	430047	1	Solenoid, Dual
144	334908	1	Bracket	174	424620	20	O-Ring, 8.73 x 1.78
145	334427	1	Gauge, Pipe	175	430651	1	Motor, Power Pack 220/60 Hz
146	434478	1	Gauge, 0-160 Bar	176	435368	1	Switch, On/Off
147	418237	1	Shell, Cylinder	178	435705	2	Breaker, Circuit
148	418239	1	O-Ring	<b>NOTE: Item 178 is adjustable from 10 to 16 amps.</b>			
149	422612	1	Lock-Ring	Circuit breaker for the hydraulic box motor is set at 10 amps. Circuit breaker for the gearbox is set at 15 amps.			
150	418241	1	Seal	180	425129	1	Transformer
151	420179	1	Boot	181	418075	1	Fuse, 3A
152	418236	1	Rod	182	424701	2	Contact, 60 Hz
153	430152	1	Piston, 70mm	183	422040	1	Light, Signal
154	418238	1	Seal	184	422055	1	Switch, Two-way
155	420180	1	Ring, Retaining	185	435370	1	Wire, Solenoid
156	422621	1	Nut, Self-locking, 22mm	186	435371	1	Cable, Chuck Motor
157	217433-A	1	Short Cylinder Assembly	187	435372	1	Cord, Power Supply
158	434239	1	Hydraulic Line, Clamping Cylinder	188	435373	1	Cable, Power Pack Motor
159	434239	1	Hydraulic Line, Clamping Cylinder				
160	334271	1	Hydraulic Line, Tank/Clamping Cylinder				
161	434242	1	Hydraulic Line, Lift Cylinder				
162	434241	1	Hydraulic Line, Lift Cylinder				
163	434246	1	Line, Hydraulic				
164	434245	1	Line, Hydraulic				
165	435245	1	Line, Hydraulic				
166	434243	1	Line, Hydraulic				
167	234259	1	Pack, Hydraulic Power				

# PEDAL ASSEMBLY



# ACCESSORIES AND OPTIONS



When ordering parts always give the following information:  
 (1) Part Number (2) Description (3) Serial Number of Your Machine

ITEM	PART NO.	QTY.	DESCRIPTION	ITEM	PART NO.	QTY.	DESCRIPTION
190	224634	1	Control Assembly	220	317620	1	Tool, Ring Removing
191	218385	1	4-way Switch Assembly	221	217615	1	Tool, Bead Lifting
192	419359	4	Microswitch	223	217617	1	Tool, Bead Pushing
193	601041	4	Screw, Sheet Metal	224	224201	1	Pliers, Long Rim
194	224915	1	Housing, Remote Control Arm	225	219244	1	Pliers, Short Rim
195	423121	1	Cover	*230	234230	1	Extension, Jaw
196	424798	2	Switch, Toggle	*231	217635	1	Skidder
198	324785	1	Housing, Switch	*232	427199	1	Pad, Clamp
199	601041	4	Screw, Sheet Metal	*233	227201	1	Sleeve, Clamp
200	435302	1	Cover, 4-way Switch	*233	228741	1	Clamp
201	317440	1	Clamp	234	329661	1	Bottle, Lube
202	417640	1	Relief, Cable Strain	*235	222317	1	Roller, Tubeless Tire
203	311620	2	Plate, Microswitch	237	429662	1	Brush, Lube
204	407012	2	Microswitch	*239	235448	4	Jaws, Mag Rim
205	317476	2	Bracket, Switch				
206	217479	1	Pedal				
207	325050	1	Spacer				
208	401270	1	Spring, Switch Control				
209	230029	1	Cable, Remote				
210	418032	1	Block, Terminal				
211	424791	1	Block, Terminal				
212	317482	1	Cover, Pedal				
213	317491	1	Lever, Switch Control				
214	414875	8	Diode				

\*Options