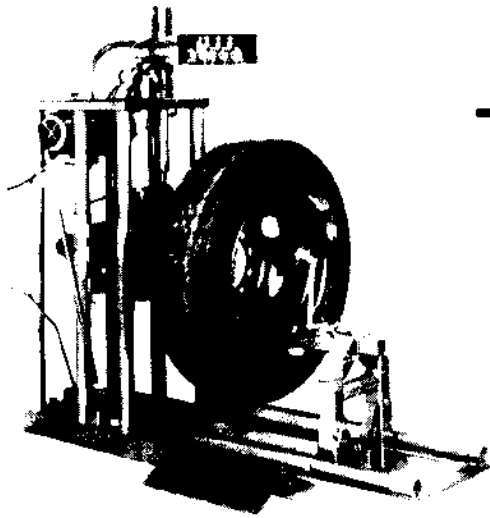
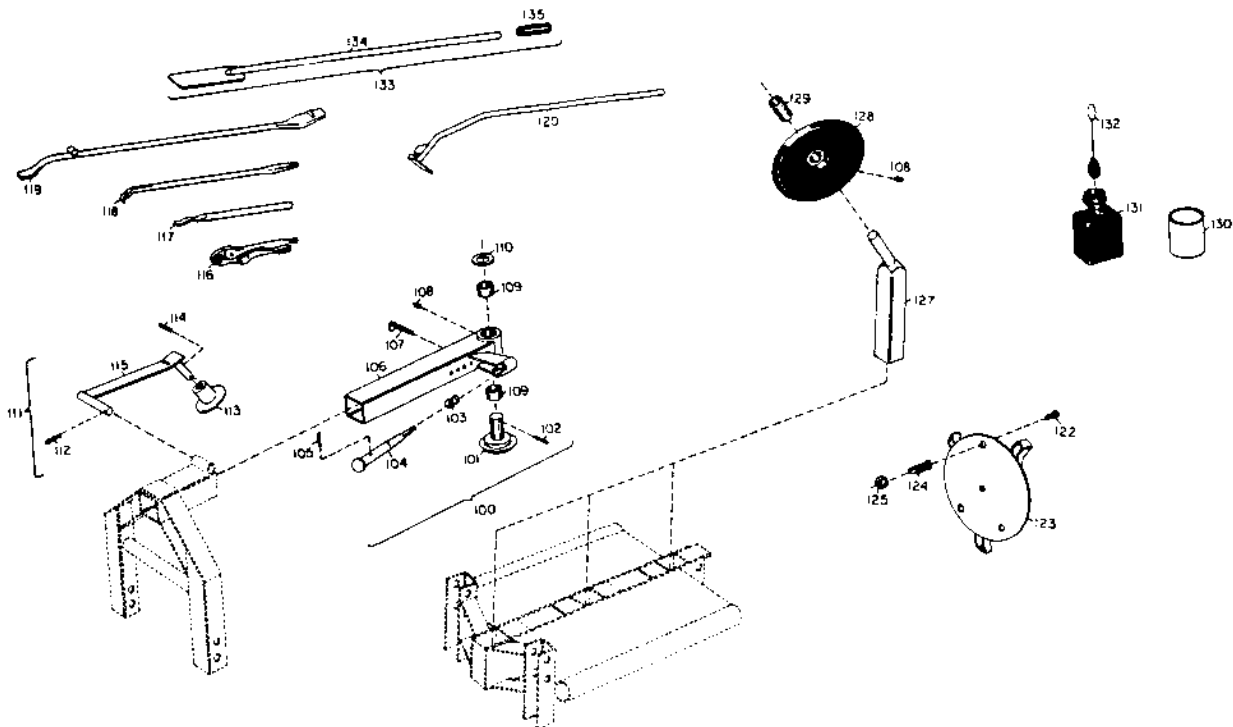


COATS S-34 TRUCK TIRE CHANGER



This Parts List is for
units with
Serial No. 34400 and up
Manufactured by The Coats Co.
PANZITTA SALES & SERVICE
72 George Avenue
Wilkes-Barre, PA 18705
570-822-6720 800-822-6720
www.panzittasales.com

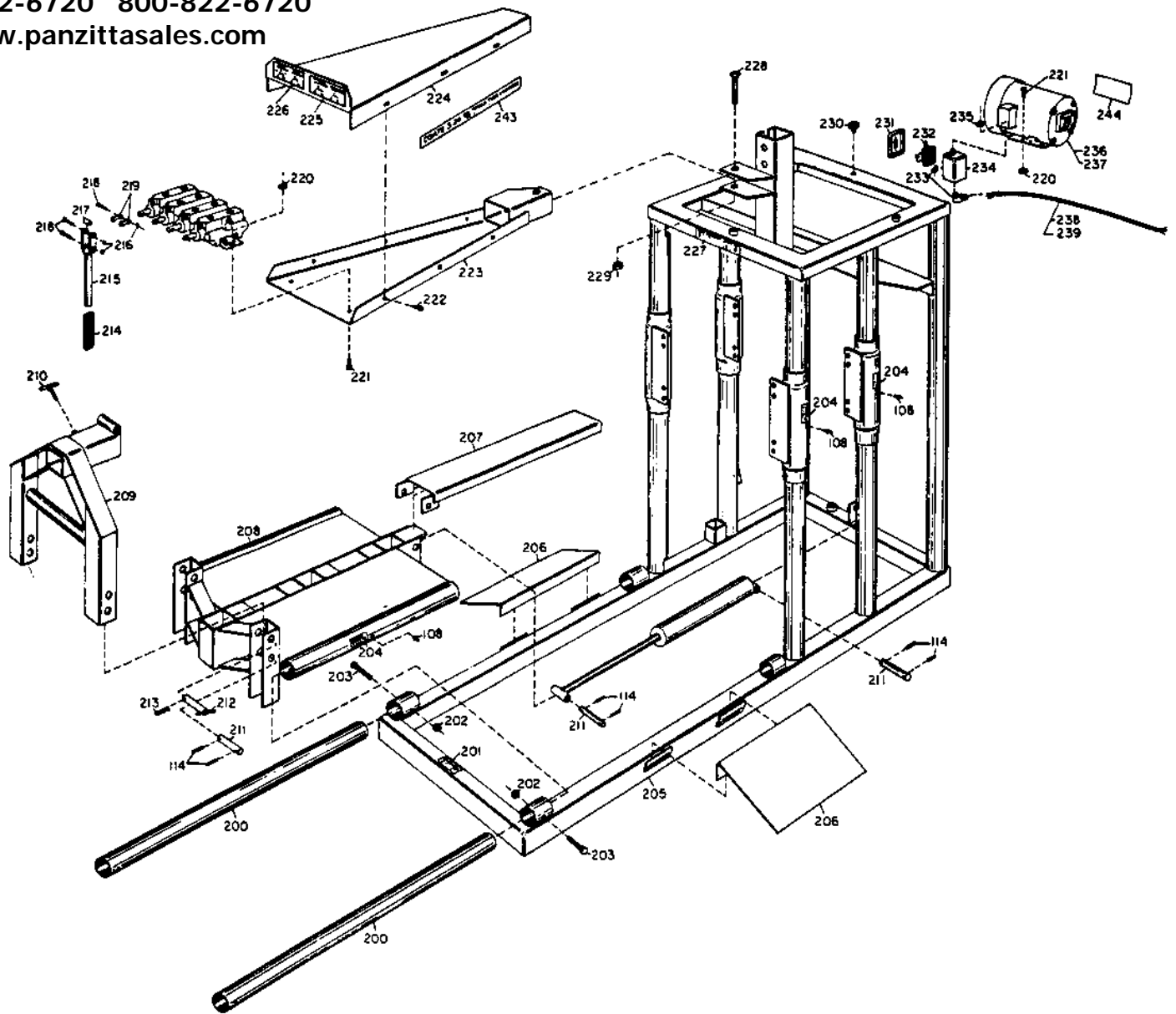
ORDER PARTS FROM YOUR DISTRIBUTOR OR JOBBER



Ref. No.	Part No.	Description	Ref. No.	Part No.	Description
100	5276	Mount/Demount Assy. Comp.	117	S21R	Tire Iron Drop Center
101	5157	Disc. Small Guide	118	S27A	Tire Iron Lock Ring
102	377	Spring Pin 1/4 x 2 1/4	119	S45A	Tire Iron Tubeless
103	181	Spring	120	5174	Bead Starting Tool
104	5240	Mount/Demount Pin Assy. 8 3/8" LG.	122	748	Cap Screw
	5299	Mount/Demount Pin Assy. 10" LG.	123	5205	Wheel Plate
105	568	Spring Pin 3/8	124	1373	Stud
106	5158	Mount/Demount Arm w/2 Bushings	125	1374	Nut
107	1365	Hitch Pin 3/8 x 4	127	5168	Arm Weldment
108	210	Grease Fitting Drive in 1/4	128	5159	Breaking Disk w/Bushing
109	521	Bushing 1-3/4 O.D. x 1 1/2 I.D.	129	521	Bushing 1 3/4 O.D. x 1 1/2 I.D.
110	1504	Washer Mach. Bushing	130	S78-2	EZ ON
111	5278	Spreader Arm and Roller Assy.	131	600	Lube Container
112	1706	Hair Pin	132	601	Swab
113	5230	Roller Weldment	133	5281	Space and Grip Assy.
114	202	Spring Pin 3/16 x 1 1/2	134	5173	Spade Tool Weldment
115	5229	Arm Weldment	135	231	Hand Grip
116	1416	Vise Grip			

When ordering parts always give the following information:

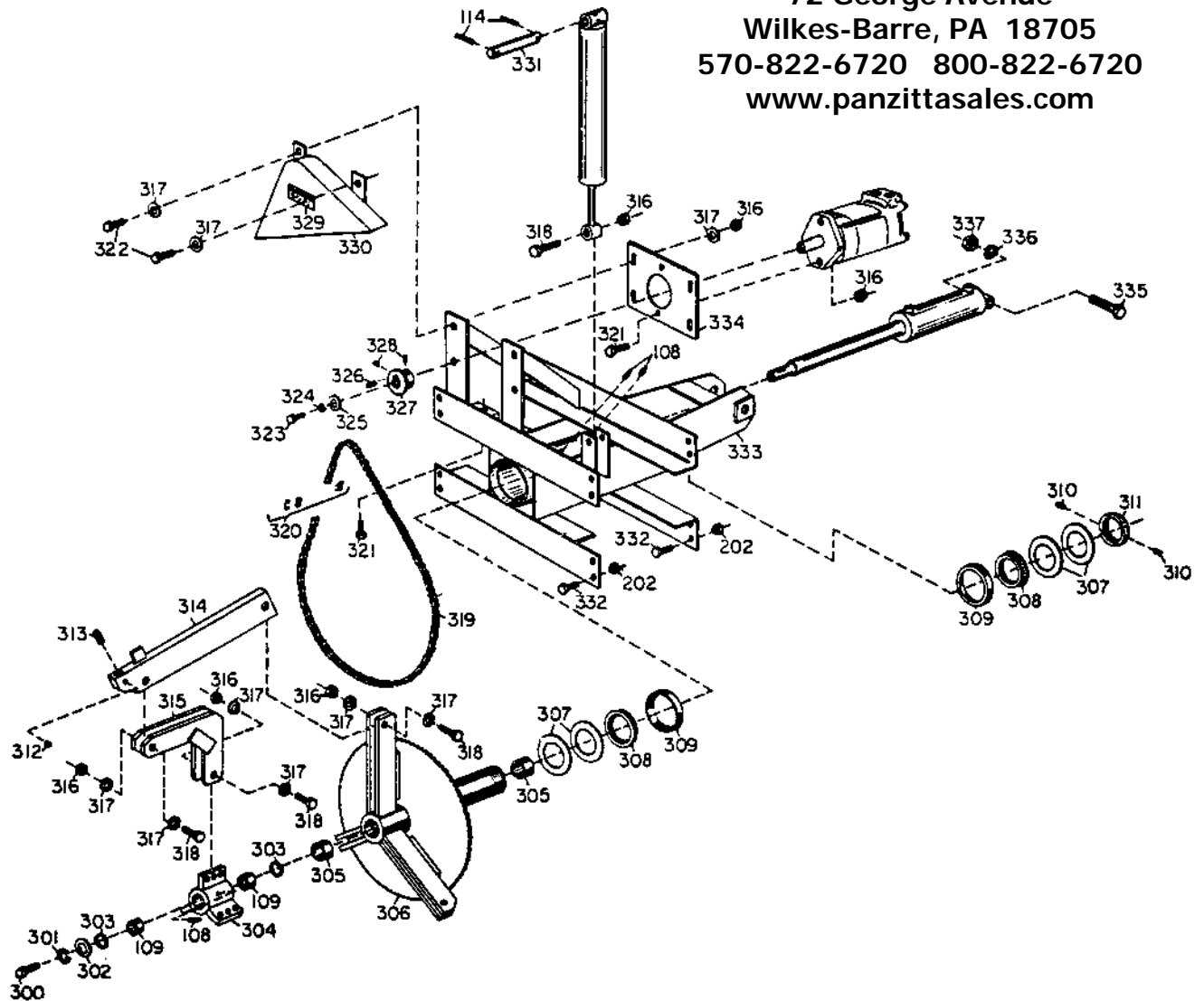
(1) Part Number (2) Description (3) Serial Number of Your Machine



Ref. No.	Part No.	Description
200	1117	Rail Carriage
201	1565	Decal Warning
202	212	3/8-16 Lock Nut
203	962	Cap Screw 3/8-16 x 3 1/2 ..
204	1563	Decal Grease
205	5206	Main Frame Weldment ..
206	1141	Tire Ramp
207	5214	Cylinder Cover
208	5282	Carriage Assy.
209	5283	Tool Carrier
210	5220	Lock Screw
211	683	Pin 1" Dia.
212	5284	Lock Pin
213	1706	Hair Pin
214	1707	*Grip Hyd. Valve
215	1689	*Valve Handle

Ref. No.	Part No.	Description
216	1561	*Retaining Ring
217	1708	*Spacer--Valve Handle
218	1709	*Pin--Valve Handle
219	1710	*Link--Valve Handle
220	566	Nut 5/16-18 Lock
221	1737	Cap Screw 5/16
222	696	Screw Self Tap 1/4 x 1/2 ..
223	5166	Boom
224	5165	Boom Cover
225	1333	Decal Valve Oper. (Cyl.) ..
226	1332	Decal Valve Oper. (Wheel) ..
227	1394	Decal--Relief Valve
228	1317	Cap Screw 1/2-13 x 5
229	223	1/2-13 Lock Nut
230	1571	Filter Cap Breather

Ref. No.	Part No.	Description
231	1685	**Switch Cover
232	1686	**Switch
233	806	Elec. Mtr. 1/2 x 90°
234	1684	**Switch Box
235	701	Jam Nut
236	1567	Elec. Mtr. 110/220 1 Ph
237	1711	Elec. Mtr. 220/440 3 Ph
238	704	Power Cord Single Phase ..
239	1712	Power Cord Three Phase ..
243	1672	Machine Decal
244	941	Decal--Wiring Instr. 110V ..
245	1713	Decal--Wiring Instr. 220V ..

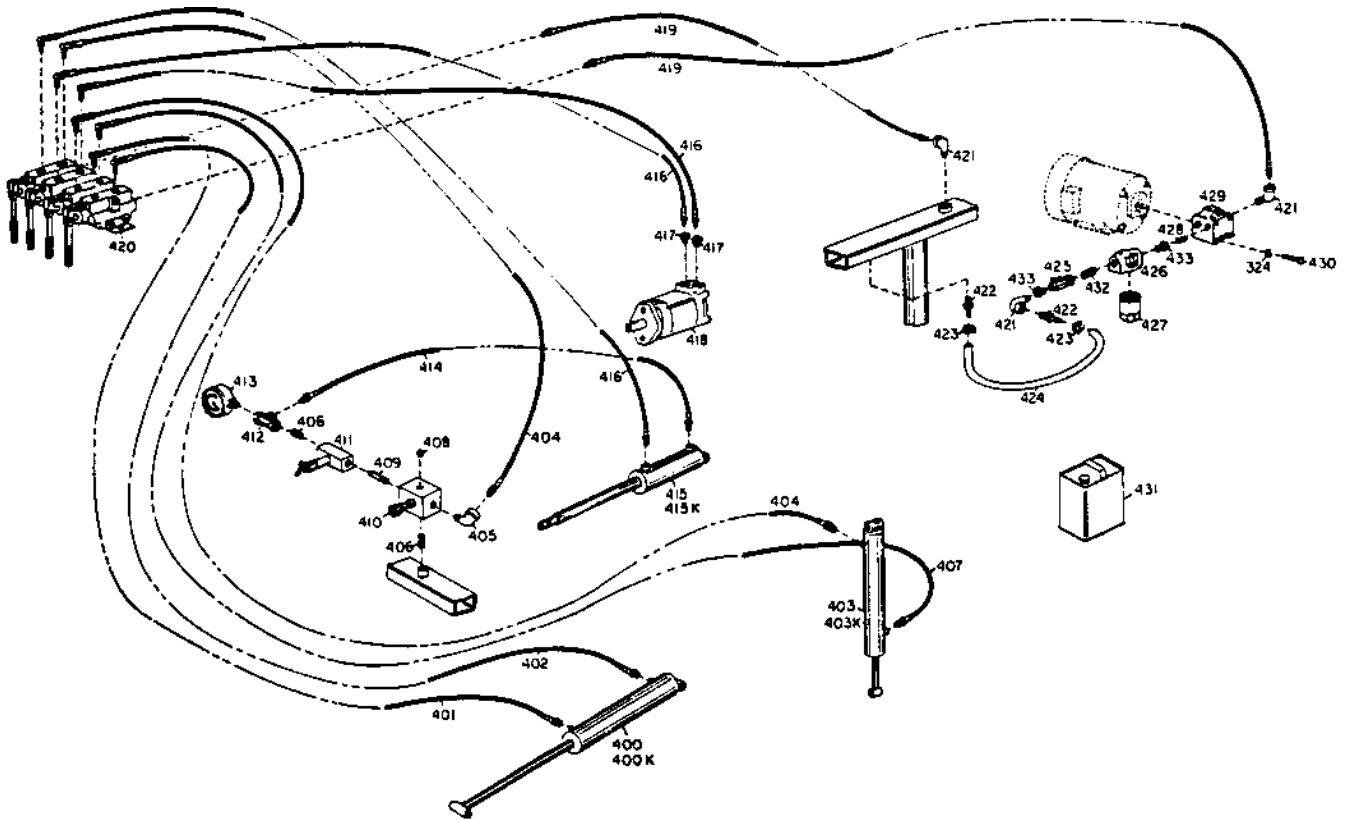


Ref. No.	Part No.	Description
300	1361	3/8-11 x 1 1/4 HHCS
301	544	Lockwasher Spring 3/8
302	1334	Washer, Flat
303	1504	Washer, Bushing
304	5171	*Spider and Brgs. Comp.
305	999	*Bushing Brass
306	5155	Sprocket and Tube Weldment
307	996	Washer, Bearing
308	994	Brg. Cone 497 or 497A
309	995	Brg. Cup 492A
310	583	Set Screw Cup Point 5/16-18 x 1/2
311	1369	Nut Brg. #AN17
312	1360	Set Screw 5/16-18 x 1/4
313	1358	Jaw Gripper
314	5221	Arm Weldment
315	5208	Bell Crank
316	223	Lock Nut 1/2-13
317	224	Flat Washer 1/2
318	485	1/2-13 x 3 Cap Screw
319	1366	Chain Roller #50 87 Pitches
320	1367	Master Conn Link #50
321	272	Cap Screw 1/2-13 x 1 3/4

Ref. No.	Part No.	Description
322	272	Cap Screw 1/2-13 x 1 3/4
323	719	Cap Screw 3/8-16 x 3/4
324	1354	Lockerwasher 3/8 Spring
325	224	Washer 1/2 Flat
326	1376	**Key
327	992	Sprocket BS 13 Steel
328	583	Set Screw 5/16-18 x 1/2 Cup Point
329	1565	Decal, Warning
330	5209	Chain Guard
331	1705	Pin--/Vert. Cyl
332	447	3/8-16 x 1 1/4 Cap Screw
333	5162	Chuck Housing Weldment
334	1119	Mount, Hyd. Motor
335	273	Cap Screw 1" x 6"
336	274	Lock Washer 1" Spring
337	747	Nut 1"

*Part No. 5171 & 999 Single Unit
 **Comes w/Hyd. Motor

PANZITTA SALES & SERVICE
72 George Avenue
Wilkes-Barre, PA 18705
570-822-6720 800-822-6720
www.panzittasales.com



Ref. No.	Part No.	Description
400	5170	Cylinder Horizontal
400K	5273	Cyl. Repair Kit Horz. Cyl.
401	1352	Hose--Valve to Front Hor. Cyl.
402	1353	Hose Valve to Rear Horz. Cyl.
403	5219	Cylinder Vertical
403K	5274	Cyl. Repair Kit Vert. Cyl.
404	1346	Hose--Valve to Top Vert. Cyl.
405	904	Elbow 1/4" x 90° Hyd. Elbow
406	778	Nipple 1/4" N.P.T. Close
407	1347	Hose Valve to Btm. Vert. Cyl.
408	128	Plug Pipe 1/4 N.P.T.
409	117	Nipple 1/4 N.P.T. x 1 1/2
410	1356	Valve Relief
411	977	Valve Needle
412	283	Tee 1/4 N.P.T.
413	1357	Gauge 0-3000 P.S.I.
414	1349	Hose Relief Valve to Chuck Cyl.
415	5169	Cyl.--Wheel Chuck

Ref. No.	Part No.	Description
415K	5272	Cyl. Repair Kit, Chuck
416	1351	Hose, Valve to Chuck Cyl. Ft. and Valve to Hyd. Motor
417	1425	Adapter Fitting
418	1168	Hyd. Motor
419	1345	Hose Pump to Valve and Valve Resv
420	1550	Valve Hyd. 4 Spool
421	713	Elbow 3/8 Street
422	945	Hose Fitting
423	1207	Hose Clamp
424	1560	Hose Return
426	1688	Filter Head
427	1631	Filter Element
428	1741	Nipple 3/8 x 1 1/2 LG
429	1568	Pump Hyd.
430	1737	Cap Screw 5/16-18 x 3/4
431	1714	2 1/2 Gal. Hydraulic Oil
433	714	Bushing Reducer